

C1608NP02A272J080AA

TDK Item Description : C1608NP02A272J****

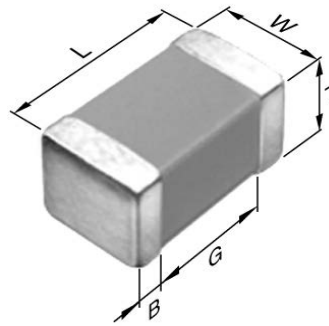


Application & Main Feature

Commercial Grade (High Temperature Application)

Series

C1608 [EIA 0603]



Dimensions

L	1.60mm ±0.20mm
W	0.80mm ±0.20mm
T	0.80mm ±0.20mm
B	0.20mm Min.
G	0.30mm Min.

Temperature Characteristic

NP0 (-55 to 150 degC 0+/-30ppm/degC)

Rated Voltage

2A(100Vdc)

Capacitance

2.7nF

Capacitance Tolerance

J (±5%)

Q Factor

1000 Min.

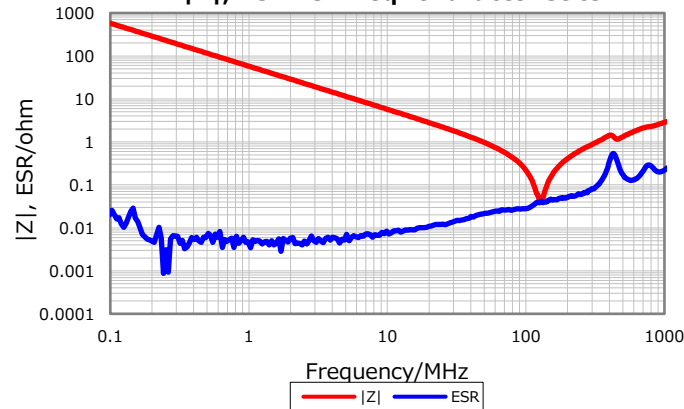
Insulation Resistance

10Gohm Min

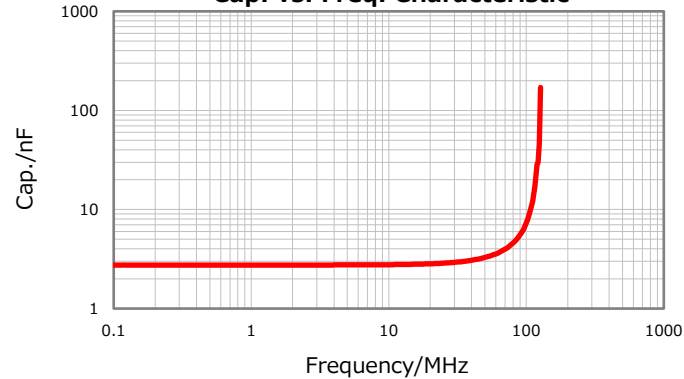
AEC-Q200

Not Applicable

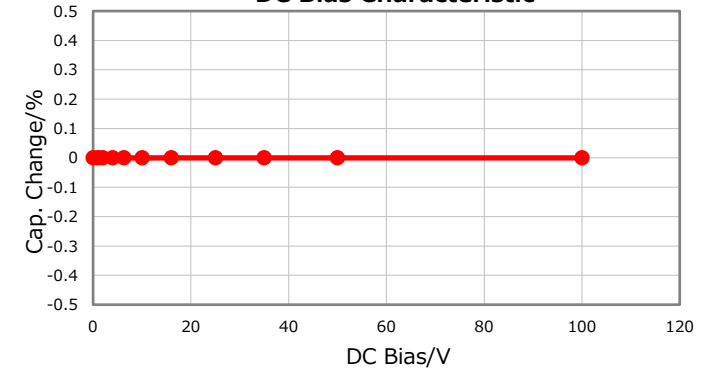
|Z|, ESR vs. Freq. Characteristics



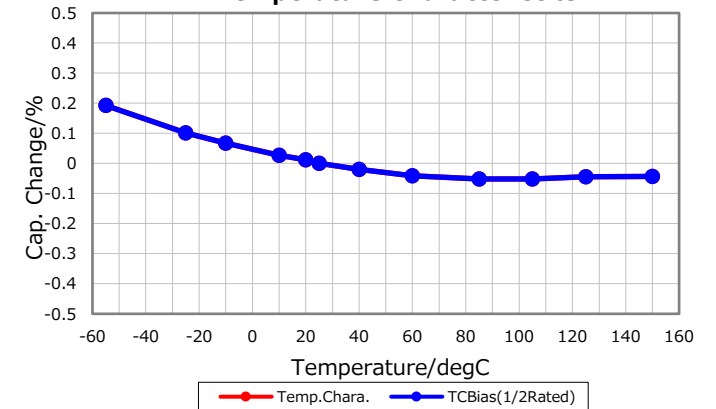
Cap. vs. Freq. Characteristic



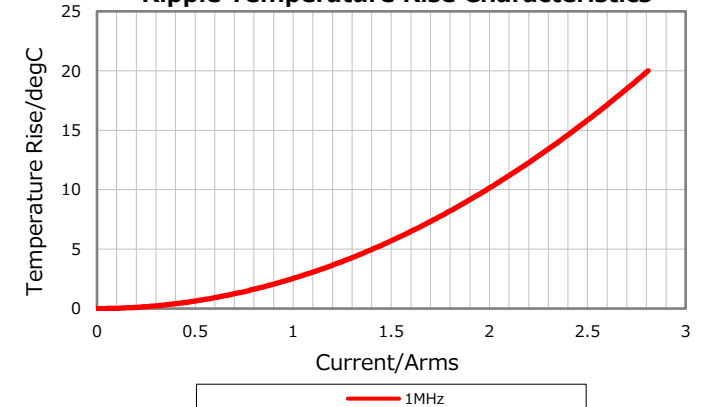
DC Bias Characteristic



Temperature Characteristics



Ripple Temperature Rise Characteristics



Characterization Sheet (Multilayer Ceramic Chip Capacitors)



All specifications are subject to change without notice.

July 2, 2019