

Dear Valued TRINAMIC Customer,

This notification is to inform you that a change will be done to the product listed below:

- **TMC260-PA**
- **TMC260-PA-T**
- **TMC260-PA-X**

For samples and further questions, please contact your sales partner.

## Hardware changes

Due to product maintenance and to assure longevity of the TMC260 we qualified a new wafer fab for TMC260 motor driver MOSFETs full-bridges. Hardware changes:

- Motor driver N-channel MOSFET (4pcs. in total)
- Motor driver P-channel MOSFET (4pcs. in total)
- Revision field of IC label will change to "A". (TMC260 to TMC260A)
- New motor driver MOSFETs will improve power losses due to lower Rdson

You can find the relevant MOSFETs (red marked) in the block diagram in figure 1. Due to the multi-chip structure of the TMC260 only motor driver MOSFET dies are affected to the changes. Complete digital and analog part of the core die as well as lead frame and IC structure stays unchanged.

## Compatibility

The new revision of the TMC260 is fully compatible. Notes on hardware compatibility:

- No change in mechanical dimensions. Test passed.
- No change in electrical behavior of digital and analog core die. Test passed.
- MOSFET electrical characteristic (e.g. slope, break before make, Rdson) Test passed.
- Improved behavior of motor driver stage due to lower Rdson. (Power dissipation lower or equal to initial revision)
- Assembly, production of core die and test facility stays unchanged.
- Digital and analog core die stays unchanged.
- Drop-in compatible.

This improvement is classified as a minor change.

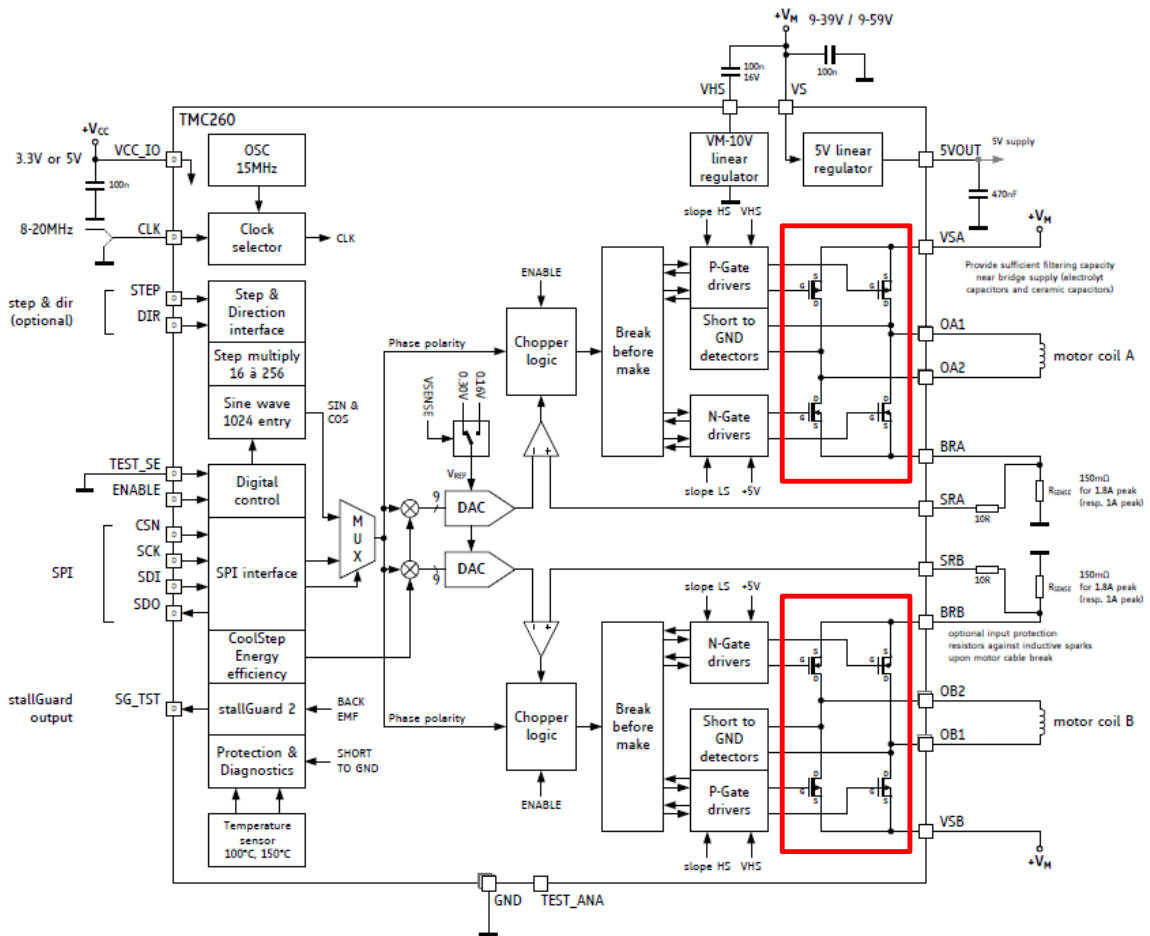


Figure 1: TMC260 block diagram



## Product Change Notification

TRINAMIC Motion Control GmbH & Co. KG  
Waterloohain 5, 22769 Hamburg, Germany

**PCN-2016-06-04**

**June 4, 2016**

[www.trinamic.com](http://www.trinamic.com)

### Products Affected

Article Name	Affected Article Numbers	NEW Name	NEW Article Numbers
TMC260-PA	00-0085	TMC260A-PA	00-0141
TMC260-PA-T	00-0085T	TMC260A-PA-T	00-0141T
TMC260-PA-X	00-0085X	TMC260A-PA-X	00-0141X

### Schedule

Samples of TMC260A-PA are available on request. Please contact your local sales partner.

Trinamic will include changes in new production lots.

Effective date for hardware release	30.11.2016
-------------------------------------	------------

Please note that Trinamic will automatically send new revision TMC260A-PA with end of TMC260-PA stock.

This PCN notice should be acknowledged within 30 days. Lack of acknowledgement of PCN within 30 days constitutes acceptance of change.