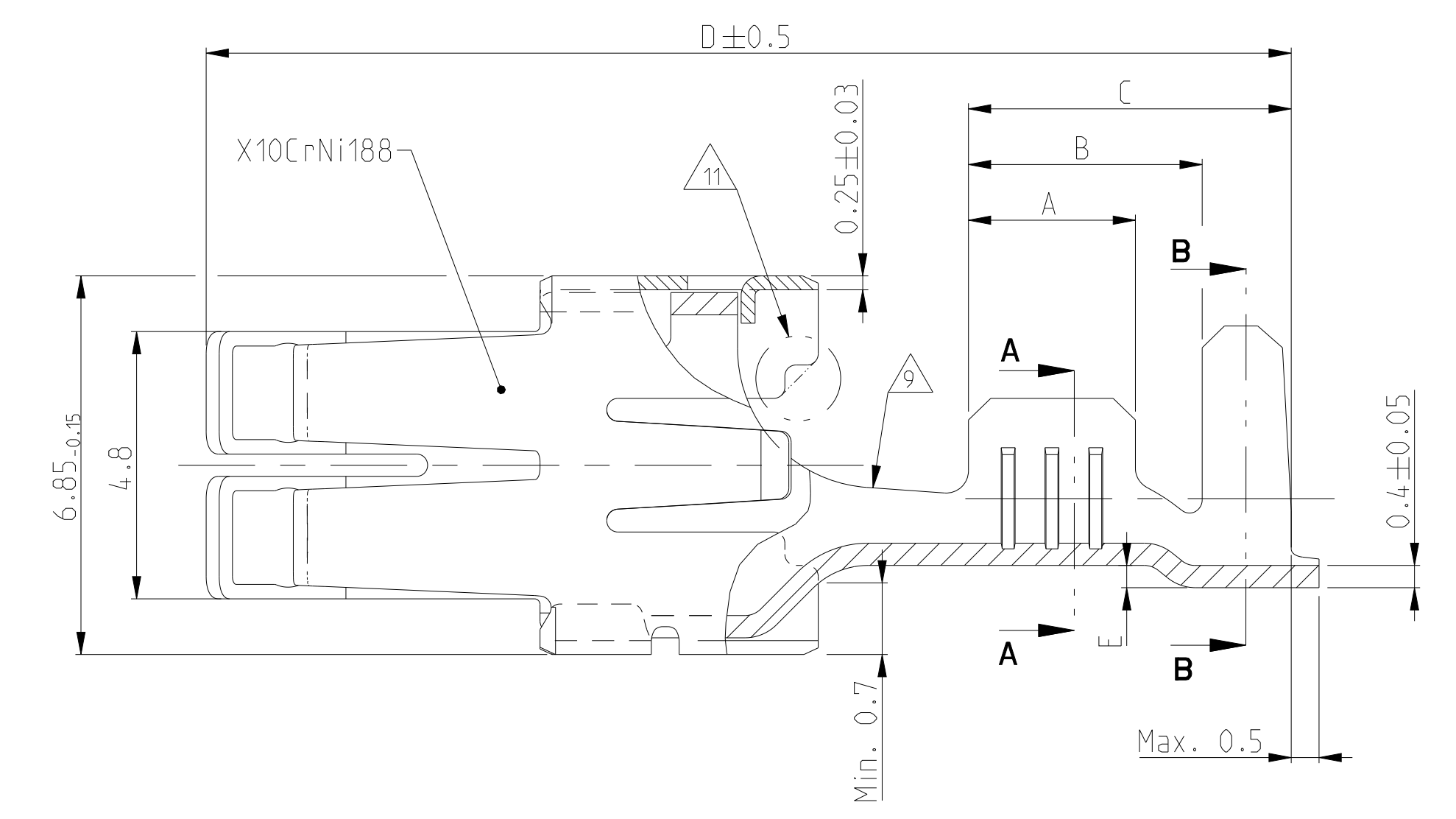
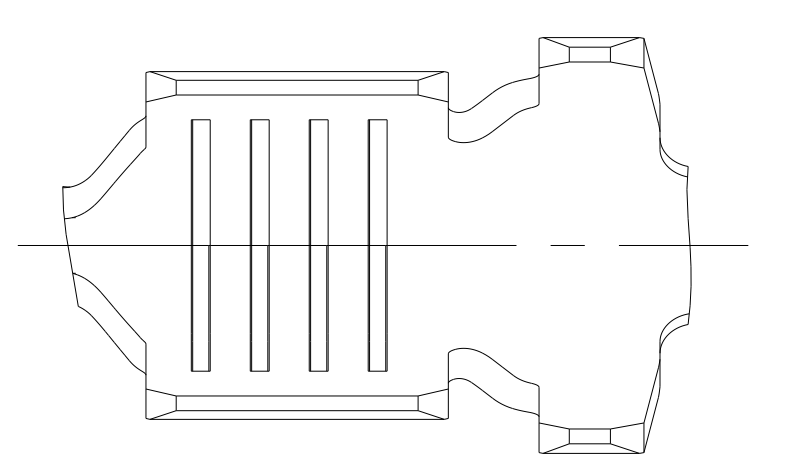


REV	DATE	APPD
B10	20FEB2021	JJM JCB
B11	19MAY2021	JJM JCB
B12	27MAY2021	JJM JCB
B13	08SEP2021	KMD JCB

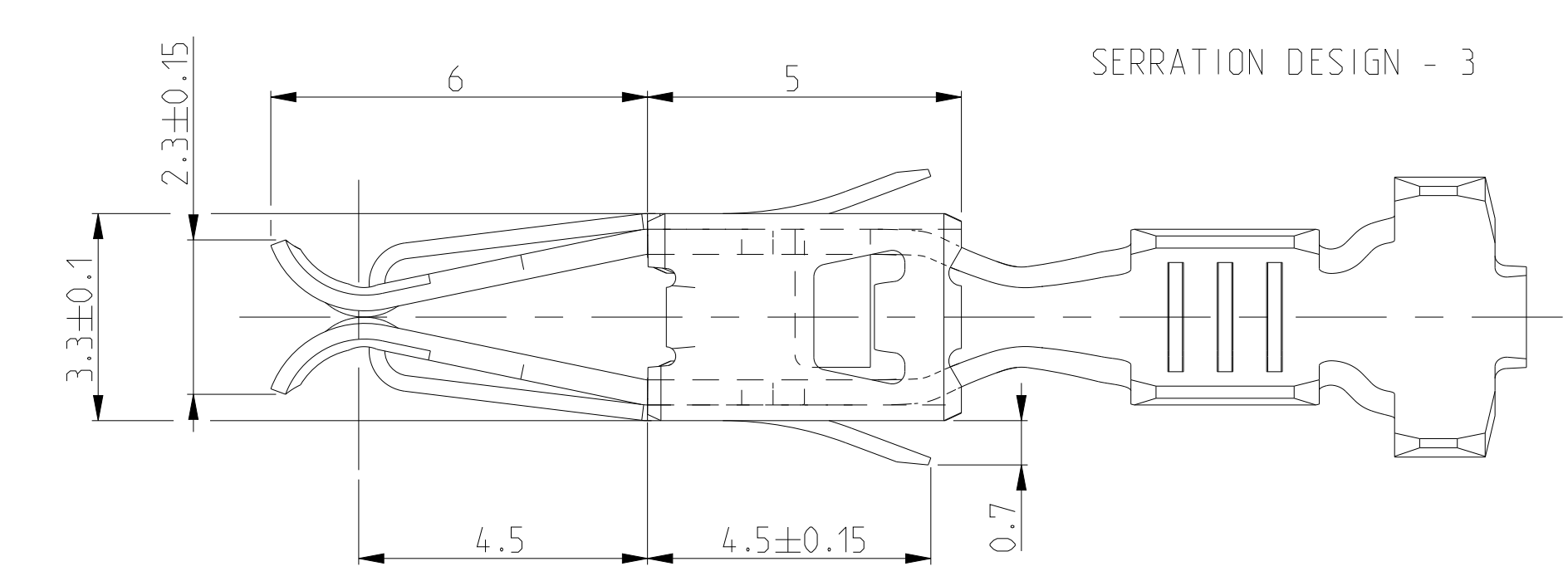
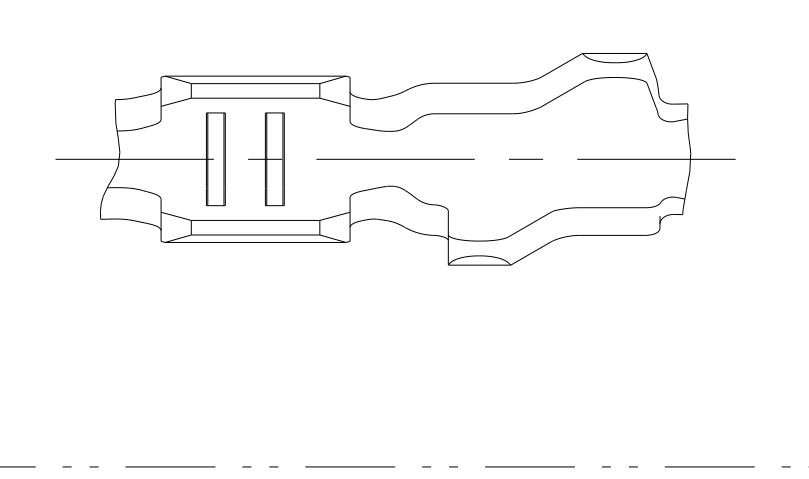
## VERSION A (UNSEALED / ungedichtet)



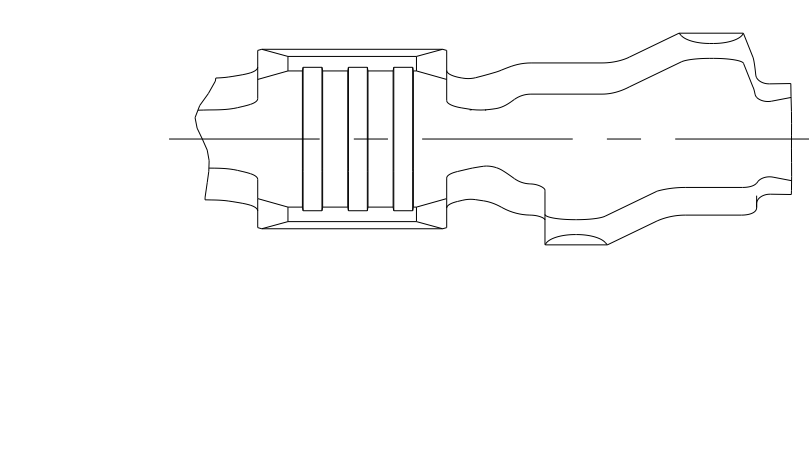
SERRATION DESIGN - 1



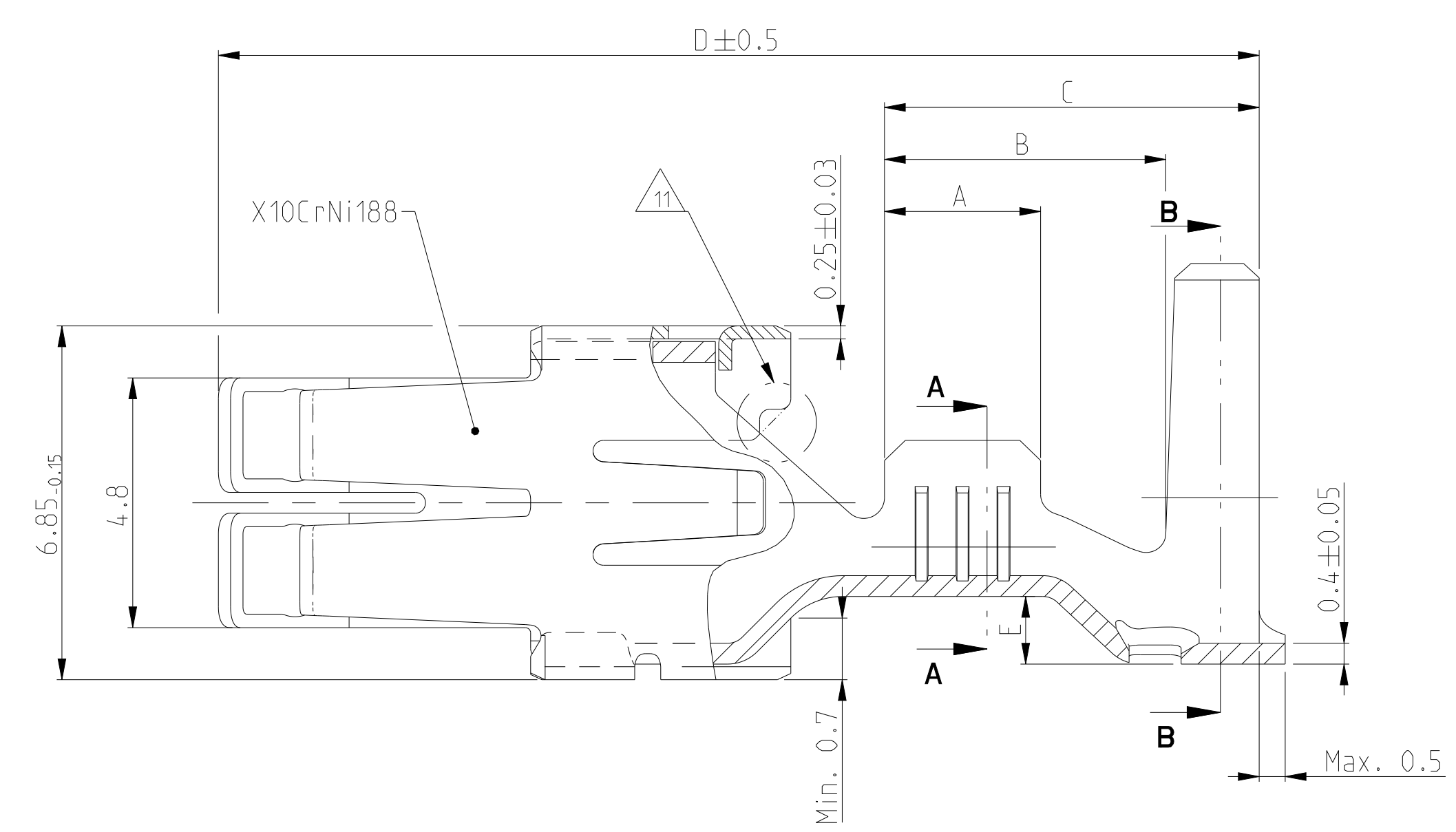
SERRATION DESIGN - 2



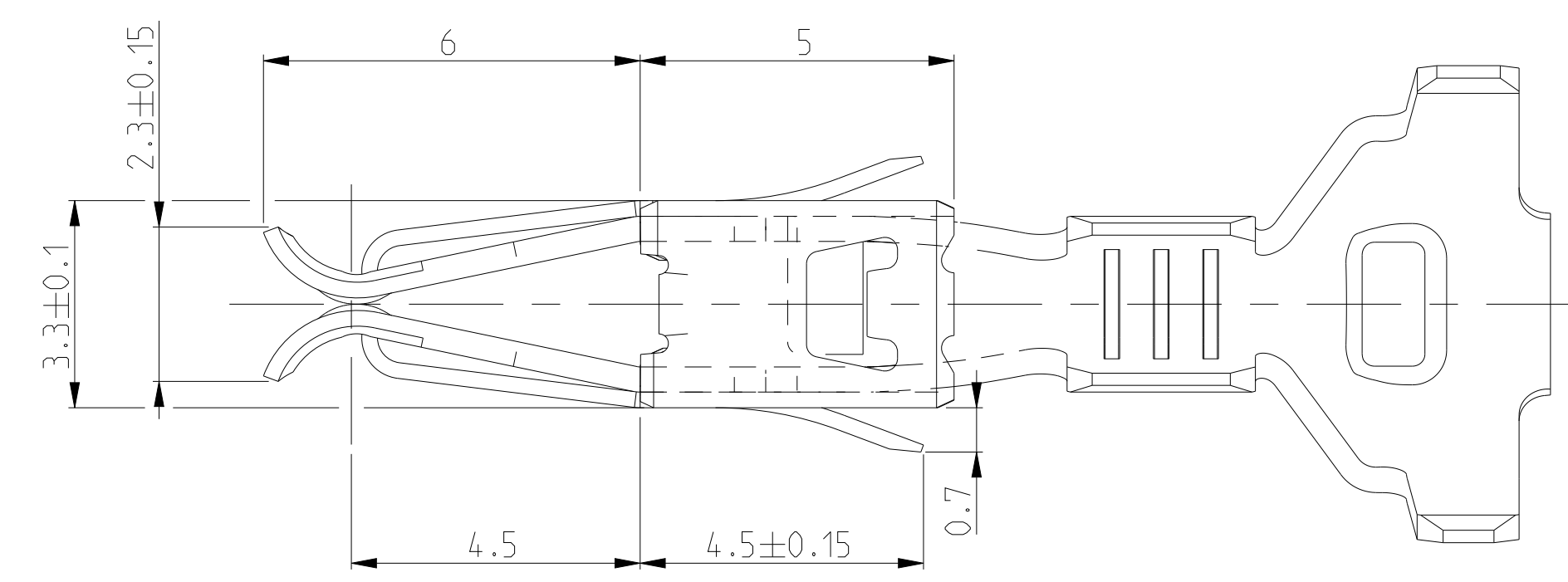
SERRATION DESIGN - 4



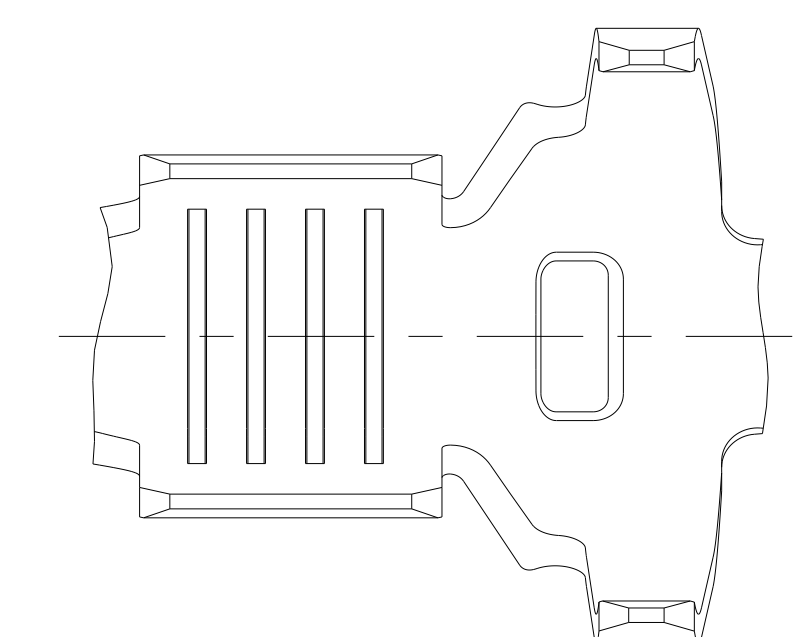
## VERSION B (SINGLE WIRE SEAL / Einzel-Dichtungs-System)



SERRATION DESIGN - 3



SERRATION DESIGN - 1



REV	DATE	APPD	TE CONNECTIVITY ORDER - NO	STRIP FORM BANDWARE	REV	TE CONNECTIVITY ORDER - NO	STRIP FORM BANDWARE	REV	TE CONNECTIVITY ORDER - NO	STRIP FORM BANDWARE	MATERIAL	SURFACE	CRIMP DIMENSIONS (mm)	EXTRACTION TOOL	HAND TOOL	TE CONNECTIVITY ORDER - No.							
-	-	-	1862029-5	-	-	-	-	-	-	-	CuFe2	PRESILVERED vorversilbert	0.35 - 0.5 FLR	E = 2.37 G = 2.45 D <sub>w</sub> = 0.8	H = 2.8 K = 3.1 D <sub>w</sub> = 1.4	0.5mm <sup>2</sup> = 1.14 0.35mm <sup>2</sup> = 1.09 0.5mm <sup>2</sup> = 1.14 0.35mm <sup>2</sup> = 1.09	MQC - Applicator 2837770-2	-	2.5	3.8	6.6	19.5	0.3
-	-	-	-	-	-	-	-	-	-	-	-	-	0.2 - 0.5 FLK	E = 2.2 G = 2.2 D <sub>w</sub> = 0.8	H = 3.7 K = 3.8 D <sub>w</sub> = 2.0	0.20mm <sup>2</sup> = 1.13 0.25mm <sup>2</sup> = 1.15 0.35mm <sup>2</sup> = 1.19 0.50mm <sup>2</sup> = 1.26	MQC - Applicator 878426-2	539635-1 WITH DIE: mit Matrize 539744-2	2.5	3.8	6.6	19.5	0.3
-	-	-	-	-	-	-	-	-	-	-	-	-	0.5 - 1.0 FLK	E = 2.8 G = 3.0 D <sub>w</sub> = 1.1	H = 4.5 K = 4.7 D <sub>w</sub> = 2.4	0.5mm <sup>2</sup> = 1.38 0.75mm <sup>2</sup> = 1.47 1.0mm <sup>2</sup> = 1.56	MQC - Applicator 2-541689-2	539733-2 WITH DIE: mit Matrize 734249-0	3	4.2	5.8	19.5	0.4
-	-	-	-	-	-	-	-	-	-	-	-	-	>1.0 - 2.5 FLK	E = 3.8 G = 4.1 D <sub>w</sub> = 1.6	H = 5.7 K = 5.8 D <sub>w</sub> = 3.6	1.5mm <sup>2</sup> = 1.76 2.0mm <sup>2</sup> = 1.90 2.5mm <sup>2</sup> = 2.04	MQC - Applicator 878367-2	539635-1 WITH DIE: mit Matrize 539733-2	3.5	4.7	6.3	19.5	0.4
927824-2	C	-	-	-	-	-	-	-	-	-	CuSn4	PRETINNED vorverzinkt	>2.5 - 4.0 FLK	E = 4.6 G = 4.8 D <sub>w</sub> = 2.4	H = 6.3 K = 6.6 D <sub>w</sub> = 4.0	3.0mm <sup>2</sup> = 2.13 3.5mm <sup>2</sup> = 2.24 4.0mm <sup>2</sup> = 2.35	MQC - Applicator 2-878314-2	539635-1 WITH DIE: mit Matrize 539734-2	4	5.2	6.8	19.5	0.6
927824-1	C	-	-	-	-	-	-	-	-	-	CuFe2	PRETINNED vorverzinkt	4.0 - 6.0 FLK	E = 5.2 G = 5.5 D <sub>w</sub> = 2.9	H = 7.3 K = 7.6 D <sub>w</sub> = 4.5	4.0mm <sup>2</sup> = 2.17 5.0mm <sup>2</sup> = 2.36 6.0mm <sup>2</sup> = 2.55	MQC - Applicator 2-878738-2	-	4.2	5.6	7.7	20	0.6
927829-5	D	-	-	-	-	-	-	-	-	-	CuFe2	PRESILVERED vorversilbert	0.2 - 0.5 FLR	E = 2.2 G = 2.2 D <sub>w</sub> = 0.8	H = 2.8 K = 2.8 D <sub>w</sub> = 1.4	0.2mm <sup>2</sup> = 1.13 0.35mm <sup>2</sup> = 1.19 0.5mm <sup>2</sup> = 1.26	MQC - Applicator 878427-2	-	2.5	3.8	6.6	19.5	0.3
927829-2	D	-	-	-	-	-	-	-	-	-	CuSn4	PRESILVERED vorversilbert	0.5 - 1.0 FLR	E = 2.8 G = 3.0 D <sub>w</sub> = 1.1	H = 3.9 K = 4.1 D <sub>w</sub> = 1.8	0.5mm <sup>2</sup> = 1.43 0.75mm <sup>2</sup> = 1.52 1.0mm <sup>2</sup> = 1.61	MQC - Applicator 878328-2	169400-0 WITH DIE: mit Matrize 734781-1	3	4.2	5.8	19.5	0.4
927829-1	D	-	-	-	-	-	-	-	-	-	CuFe2	PRESILVERED vorversilbert	>1.0 - 2.5 FLR	E = 3.8 G = 4.1 D <sub>w</sub> = 1.6	H = 4.8 K = 4.9 D <sub>w</sub> = 2.6	1.25mm <sup>2</sup> = 1.69 1.5mm <sup>2</sup> = 1.76 2.0mm <sup>2</sup> = 1.90 2.5mm <sup>2</sup> = 2.04	MQC - Applicator 878356-2	169400-0 WITH DIE: mit Matrize 734251-0	3.5	4.7	6.3	19.5	0.4
927829-5	D	-	-	-	-	-	-	-	-	-	CuFe2	PRESILVERED vorversilbert	>2.5 - 4.0 FLR	E = 4.6 G = 4.8 D <sub>w</sub> = 2.4	H = 5.5 K = 5.7 D <sub>w</sub> = 3.3	3.0mm <sup>2</sup> = 2.13 3.5mm <sup>2</sup> = 2.24 4.0mm <sup>2</sup> = 2.35	MQC - Applicator 2-878384-2	169400-0 WITH DIE: mit Matrize 734251-0	4	5.2	6.8	19.5	0.6

REV	DATE	APPD	TE CONNECTIVITY ORDER - NO	STRIP FORM BANDWARE	REV	TE CONNECTIVITY ORDER - NO	STRIP FORM BANDWARE	REV	TE CONNECTIVITY ORDER - NO	STRIP FORM BANDWARE	MATERIAL	SURFACE	CRIMP DIMENSIONS (mm)	EXTRACTION TOOL	HAND TOOL	TE CONNECTIVITY ORDER - No.							
-	-	-	2-927836-2	-	-	-	-	-	-	-	CuSn4	PRESILVERED vorversilbert	0.5 - 1.0 FLR	E = 2.8 G = 3.0 D <sub>w</sub> = 1.1	H = 7.6 K = 7.7 D <sub>w</sub> = 5.6	0.5mm <sup>2</sup> = 1.43 0.75mm <sup>2</sup> = 1.52 1.0mm <sup>2</sup> = 1.61	MQC - Applicator 878337-2	539635-1 WITH DIE: mit Matrize 739736-2	3	5.4	7.2	20	1.25
-	-	-	-	-	-	-	-	-	-	-	CuSn4	PRESILVERED vorversilbert	>1.0 - 2.5 FLR	E = 3.8 G = 4.1 D <sub>w</sub> = 1.6	H = 7.6 K = 7.7 D <sub>w</sub> = 5.6	1.5mm <sup>2</sup> = 1.76 2.0mm <sup>2</sup> = 1.90 2.5mm <sup>2</sup> = 2.04	MQC - Applicator 878338-2	539635-1 WITH DIE: mit Matrize 539736-2	3.5	5.9	7.7	20	1.25
-	-	-	-	-	-	-	-	-	-	-	CuSn4	PRESILVERED vorversilbert	>2.5 - 4.0 FLR	E = 4.6 G = 4.8 D <sub>w</sub> = 2.4	H = 7.6 K = 7.7 D <sub>w</sub> = 5.6	3.0mm <sup>2</sup> = 2.13 4.0mm <sup>2</sup> = 2.35	MQC - Applicator 878441-2	539635-1 WITH DIE: mit Matrize 539736-2	4	5.9	7.7	20	1.25
2-928966-2	D	-	-	-	-	-	-	-	-	-	CuSn4	PRESILVERED vorversilbert	>3.0 - 5.0 FLR	E = 4.8 G = 5.2 D <sub>w</sub> = 2.5	H = 8.15 K = 7.8 D <sub>w</sub> = 6.0	3.0mm <sup>2</sup> = 2.25 4.0mm <sup>2</sup> = 2.50 5.0mm <sup>2</sup> = 2.75	MQC - Applicator -	WITH DIE: mit Matrize	4	5.9	7.7	20	1.25

**CONTACT ZONE SELECTIVE PRE SILVER PLATED MIN 3-4.5µm**  
Kontaktzone selektiv vorversilbert min. 3-4.5µm

**CONTACT ZONE SELECTIVE PRE SILVER PLATED MIN 1-1.5µm**  
Kontaktzone selektiv vorversilbert min. 1-1.5µm

**CONTACT BODY: ELECTRO TIN PLATED OVER NICKEL CONTACT AREA: GOLD PLATED**  
Kontaktkoerper: gal. verzinkt ueber Nickel Kontaktzone: vergoldet

**CONTACT BODY: ELECTRO TIN PLATED OVER NICKEL CONTACT AREA: SELECTIVE NICKEL PLATED 2-4µm**  
Kontaktkoerper: gal. verzinkt ueber Nickel Kontaktzone: selektiv vernickelt 2-4µm

**CONTACT BODY: ELECTRO TIN PLATED OVER NICKEL TOUCHING AREA TO CANTILEVER SPRING: SELECTIVE AU PLATED OVER NICKEL CANTILEVER SPRING: COMPLETELY AU PLATED**  
Kontaktkoerper: gal. verzinkt ueber Nickel Anlageflaeche zur Ueberfeder selektiv Au ueber Ni beschichtet Ueberfeder: komplett Au beschichtet

**PRE-FORM ISO-AREA ONLY FOR PN: 1241962-1**  
Isoflanken vorgeformt nur bei PN:1241962-1

**WRAP CRIMP ONLY FOR PN: 927839,927840,928989 AND 928990**  
Umfassungscrimp nur bei PN: 927839,927840,928989 und 928990

**TRANSITION ONLY FOR PN 927827,927828,927829,927830,927833,927834,927837 AND 927838**  
Uebergang nur fuer PN 927827,927828,927829,927830,927833,927834,927837 und 927838

**1-3µm Sn28M LAYER FOR HIGHER TEMPERATURE REQUIREMENTS**  
1-3µm Sn28M Schicht fuer hoehere Temperaturanforderungen

**DOTTED LINE IS ALTERNATIVE SHAPE**  
Gestrichelte Linie alternative Form

**OBSELETE**

**SEE APPLICATION SPEC. FOR PREFERRED STANDARD TO MEET NEW REQUIREMENT LV214-2 SLOW MOTION BENDING TEST**  
Siehe Verarbeitungs Spezifikation fuer bevorzugten Standard um den neuen Anforderungen der LV214-2 Slow Motion Pruefung zu genuegen

B-B

THIS DRAWING IS A CONTROLLED DOCUMENT. DIMENSIONING AND TOLERANCING PER ISO STANDARDS.

DATE: 08SEP2021  
DRAWN: M. HUNDEL  
CHECKED: M. HUNDEL  
APPROVED: M. HUNDEL

PROJECT: STANDARD POWER TIMER CONTACT  
PRODUCT SPEC: 108-18025  
APPLICATION SPEC: 114-18037

SCALE: 10:1  
SHEET: 1 OF 1