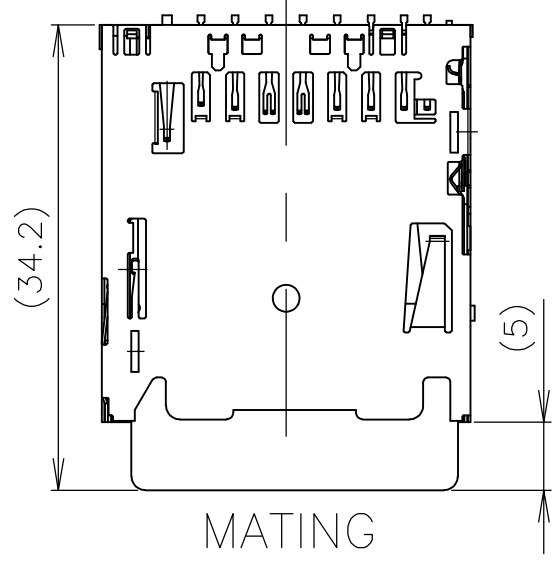


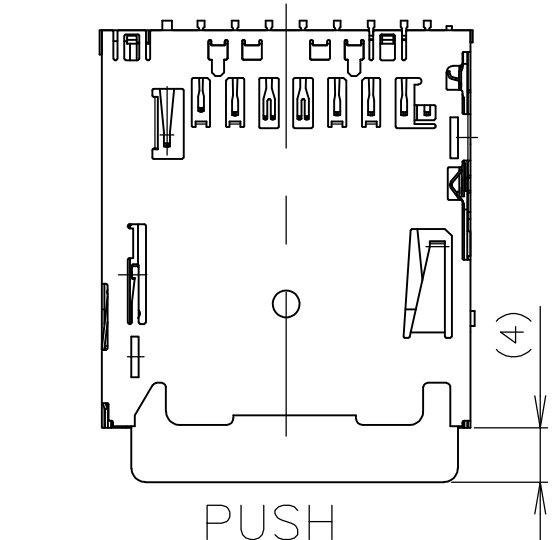


REVISIONS				
P	LTR	DESCRIPTION	DATE	APVD
-	-	SEE SHEET 1	-	-

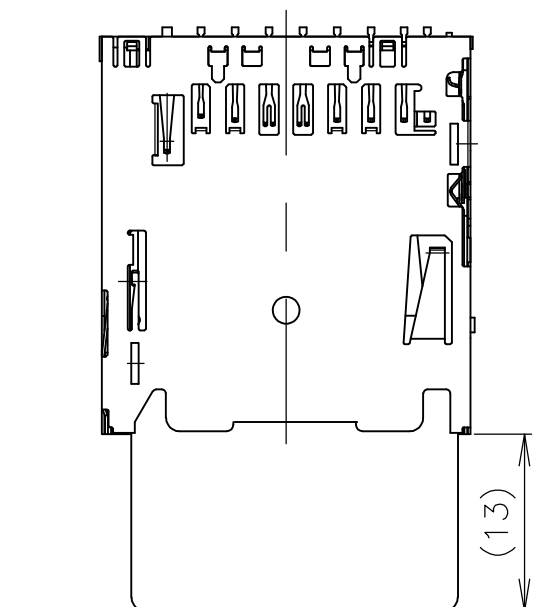
1903302=~~1~~,=~~2~~,=~~3~~,=~~4~~ ; AS SHOWN



MATING

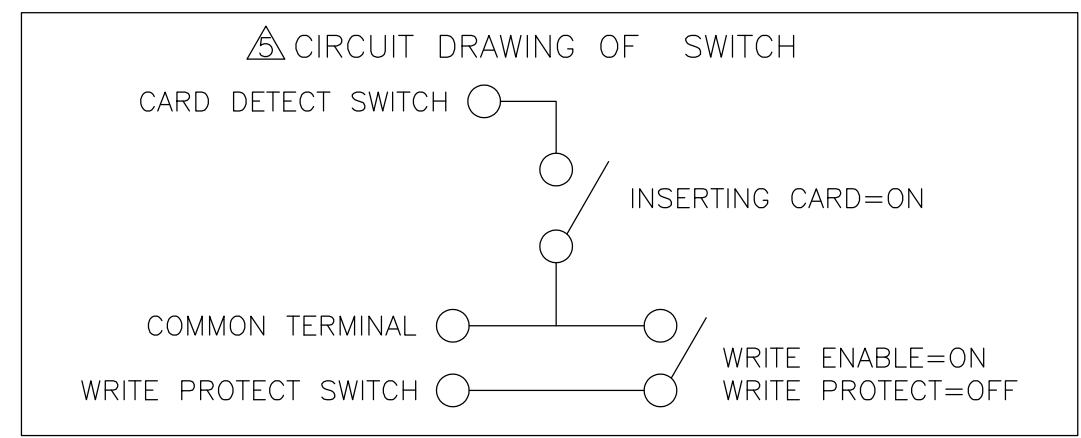


PUSH

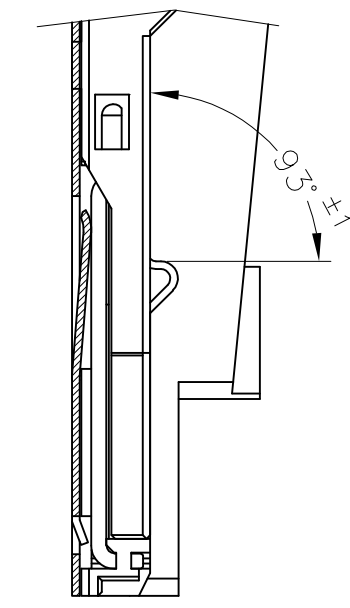


EJECT

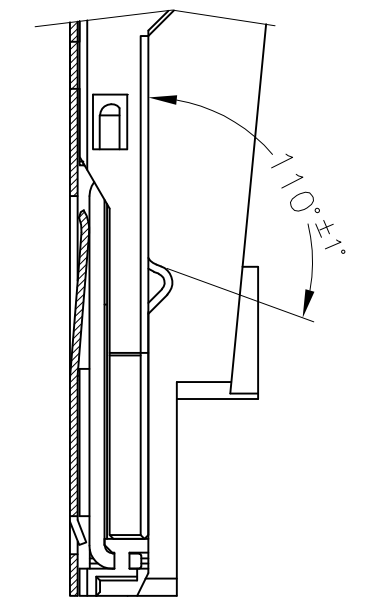
- ① カード認識スイッチ用
- ② コモン端子用
- ③ ライトプロテクトスイッチ用
- 4 カード挿入時の接触の順番  
PIN #3,4 → PIN #2,5,6,7,8,9  
カード認識スイッチ ← PIN #1 ←
- ⑤ スイッチの回路図
- 6 本製品は浸漬による洗浄は行わないこと。
- ⑦ 部品実装禁止エリア
- 8 コプラナリティは、0.1mm以下。
- 9 材料  
ハウジング：LCP樹脂、UL94V-0、黒色  
スライダー：LCP樹脂、UL94V-0、NATURAL  
コンタクト：銅合金  
シェル：銅合金 (t=0.2)
- 10 仕上げ  
コンタクト：接点部：Ni下地めっき 2~4μm、Auめっき0.2~0.5μm。  
          タイン：Snめっき 2~4μm。(無光沢)  
          タイン：Auめっき 0.05~0.13μm。(コモン端子)  
シェル：Cu 0.5μm.MIN. Snめっき(前めっき リフロー処理) 1μm. MIN.
- 11 適合基板厚 0.8±0.1mm
- 12 サンプルを実装して不具合の有無を確認して下さい。
- 13 対応カード：SDAの規格に準拠したSDカード
- ① FOR CARD DETECT SWITCH
- ② FOR COMMON TERMINAL
- ③ FOR WRITE PROTECT SWITCH
- 4 THE SEQUENCE OF CONTACT DURING CARD INSERTION  
PIN #3,4 → PIN #2,5,6,7,8,9  
CARD DETECT SWITCH ← PIN #1 ←
- ⑤ CIRCUIT DRAWING OF SWITCH
- 6 DON'T WASH BY IMMERSING THE CONNECTOR IN FLUID
- ⑦ COMPONENT PROHIBITION AREA
- 8 COPLANARITY IS 0.1 MAX.
- 9 MATERIAL  
HOUSING: LCP, UL94V-0, BLACK  
SLIDER : LCP, UL94V-0, NATURAL  
CONTACT: COPPER ALLOY  
SHELL : COPPER ALLOY (t=0.2)
- 10 FINISH  
CONTACT: CONTACT AREA: Ni UNDER PLATING 2~4um. Au PLATING 0.2~0.5um.  
          TINE: Sn PLATING 2~4um. (NON LUSTER)  
          TINE: Au PLATING 0.05~0.13um. (COMMON TERMINAL)  
SHELL : Cu 0.5um. MIN. Sn PLATING (PRE-TIN REFLOW) 1um. MIN.
- 11 APPLICABLE BOARD THICKNESS :0.8±0.1mm
- 12 PLEASE MOUNT THE SAMPLE AND CONFIRM THE PRESENCE OF TROUBLE.
- 13 ADAPTABLE CARD : SD CARD IN ACCORDANCE WITH STANDARD OF SDA.



ANGLE OF HOOK SPRING



ANGLE OF HOOK SPRING UNIT.  
=~~1~~,=~~3~~ : AS SHOWN



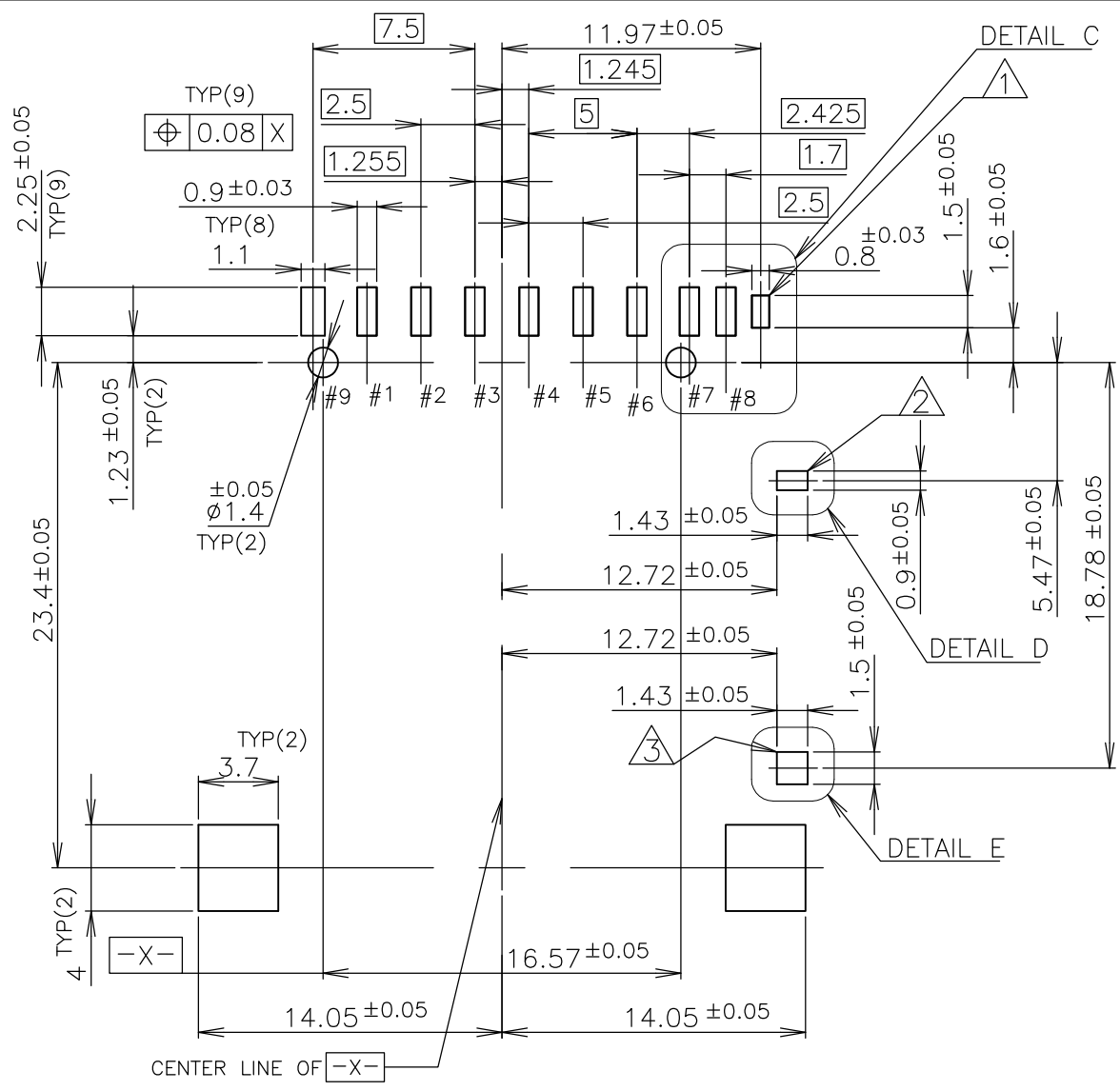
ANGLE OF HOOK SPRING UNIT.  
=~~2~~,=~~4~~ : AS SHOWN

F-F

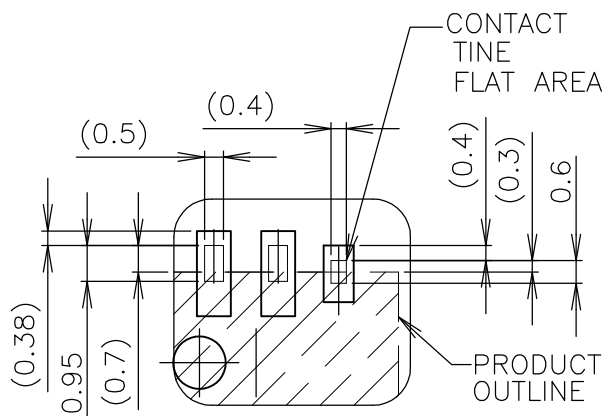
THIS DRAWING IS A CONTROLLED DOCUMENT.		DWN	<b>STE</b> TE Connectivity		
DIMENSIONS: 単位: 耗 mm		CHK			
TOLERANCES UNLESS OTHERWISE SPECIFIED: 一般公差		APVD	NAME 名称		
0 PLC ± 0.3	1 PLC ± 0.3	PRODUCT SPEC 製品規格	SD MEMORY CARD CONNECTOR		
2 PLC ± 0.3	3 PLC ± 0.3	APPLICATION SPEC 取付適用規格	PUSH PUSH TYPE		
4 PLC ± 0.3	ANGLES ± 3'	WEIGHT	SIZE	CAGE CODE	DRAWING NO 番号
MATERIAL 材料	FINISH 仕上	CUSTOMER DRAWING	A3	00779	G-1903302
		SCALE 尺度 NTS	SHEET 2 OF 4		REV G1

THIS DRAWING IS UNPUBLISHED. RELEASED FOR PUBLICATION OCT. 2005.  
 © COPYRIGHT 2005 By - ALL RIGHTS RESERVED.

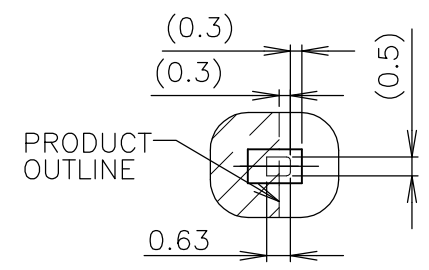
REVISIONS					
変更					
P	LTR	DESCRIPTION	DATE	DWN	APVD
-	-	SEE SHEET 1	-	-	-



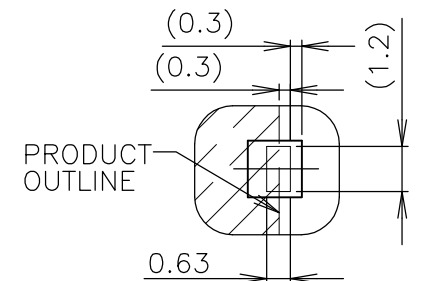
PCB PATTERN LAYOUT(REFERENCE)  
 (VIEW FROM CONNECTOR MOUNT SIDE)



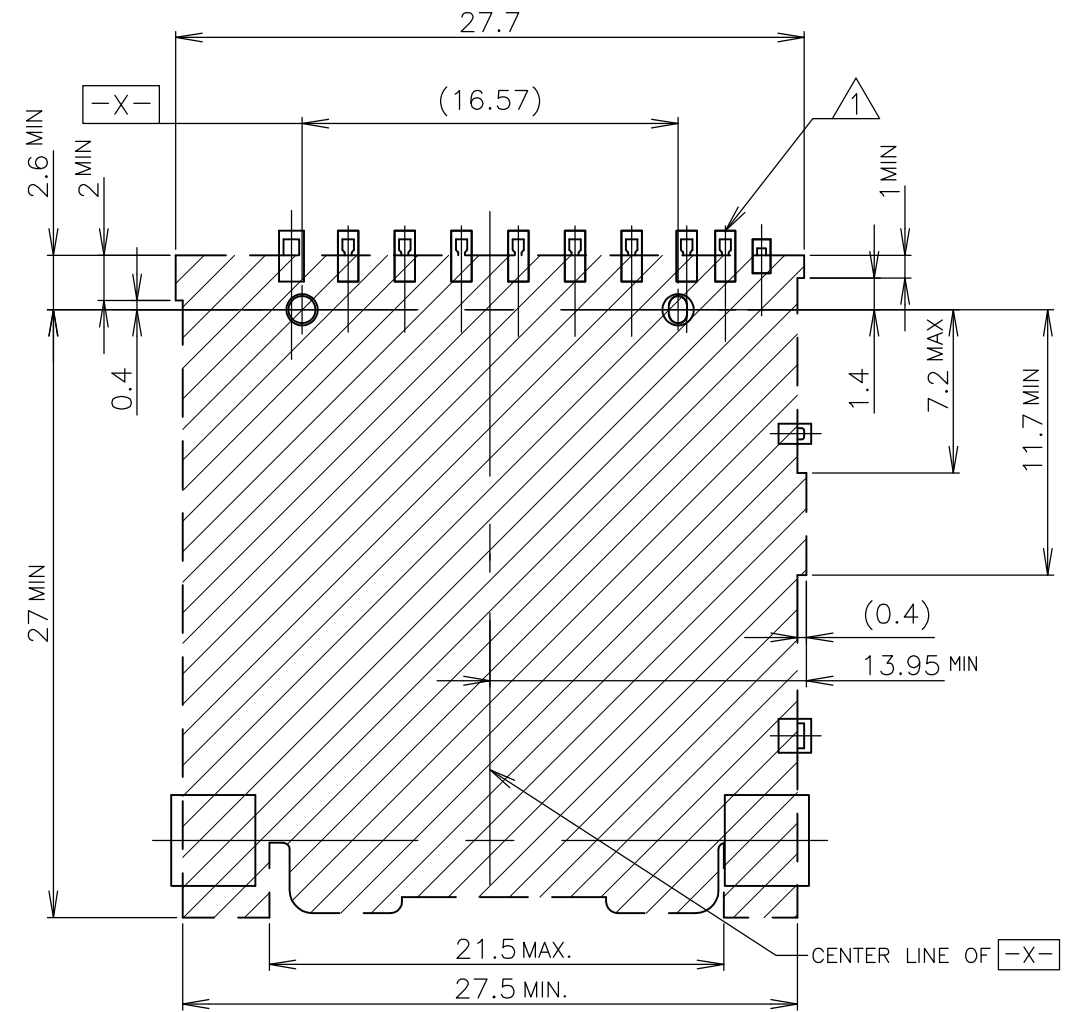
DETAIL C (SCALE 5:1)



DETAIL D (SCALE 5:1)

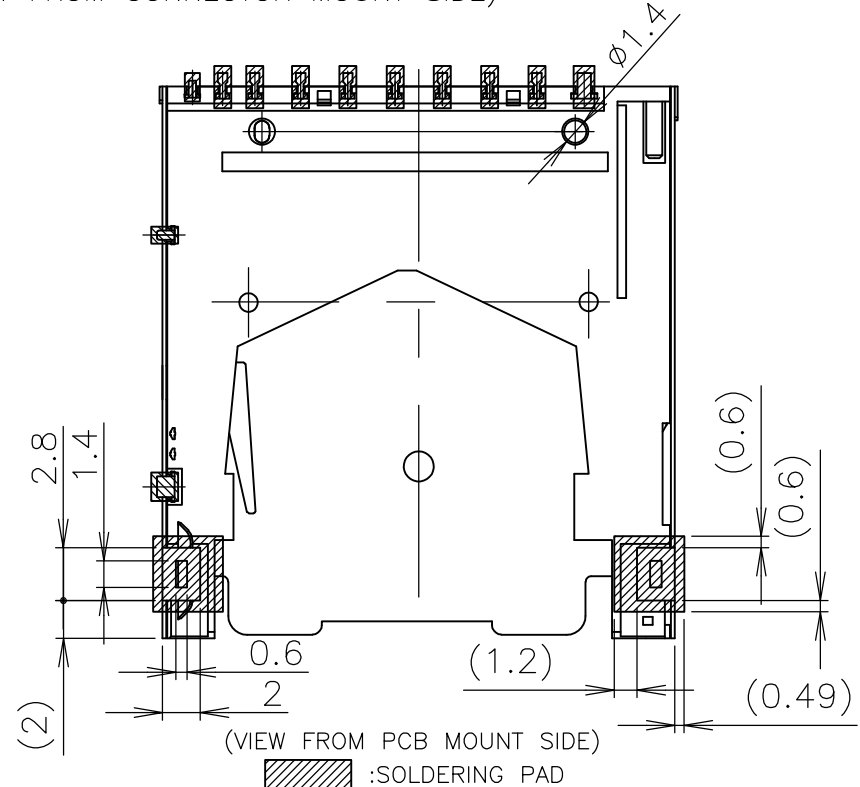


DETAIL E (SCALE 5:1)



(VIEW FROM CONNECTOR MOUNT SIDE)

▨ : COMPONENT PROHIBITION AREA  
 □ : SOLDERING PAD



(VIEW FROM PCB MOUNT SIDE)

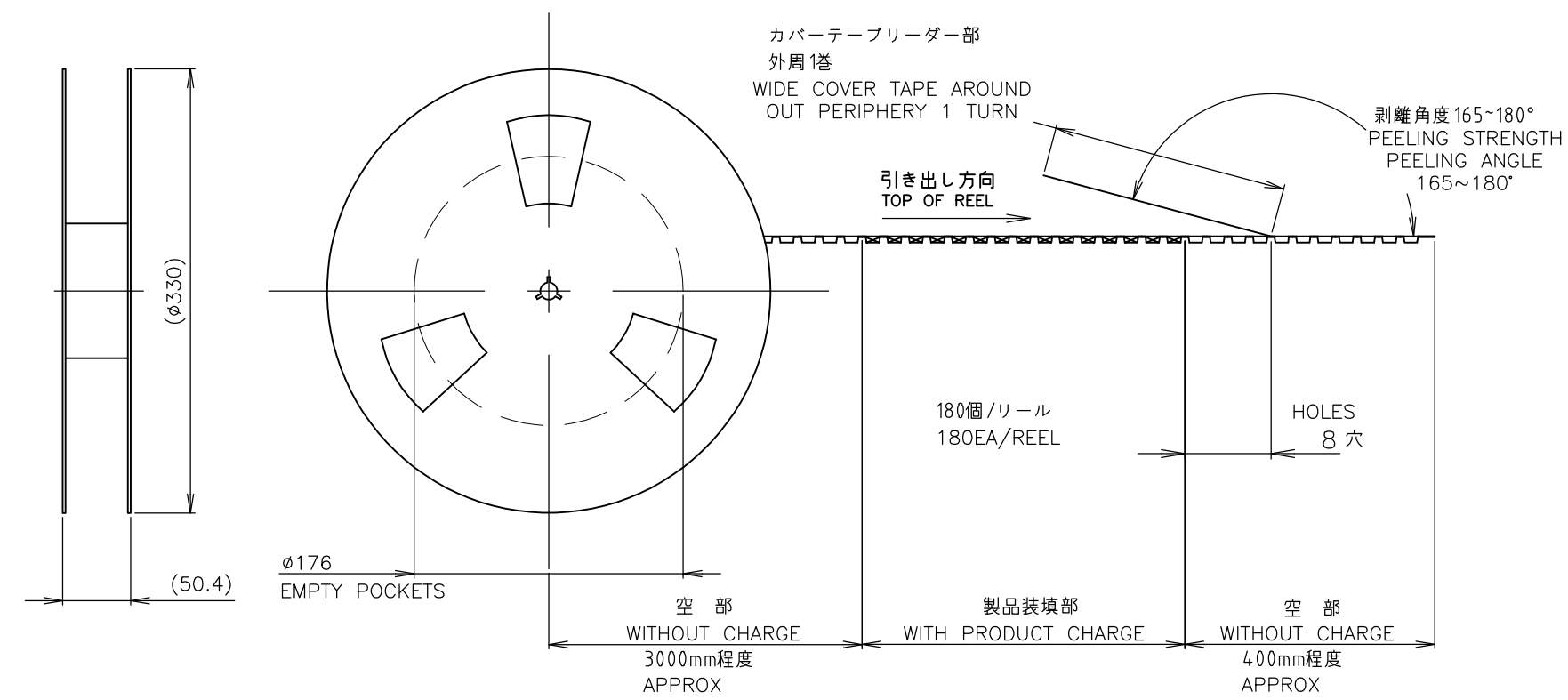
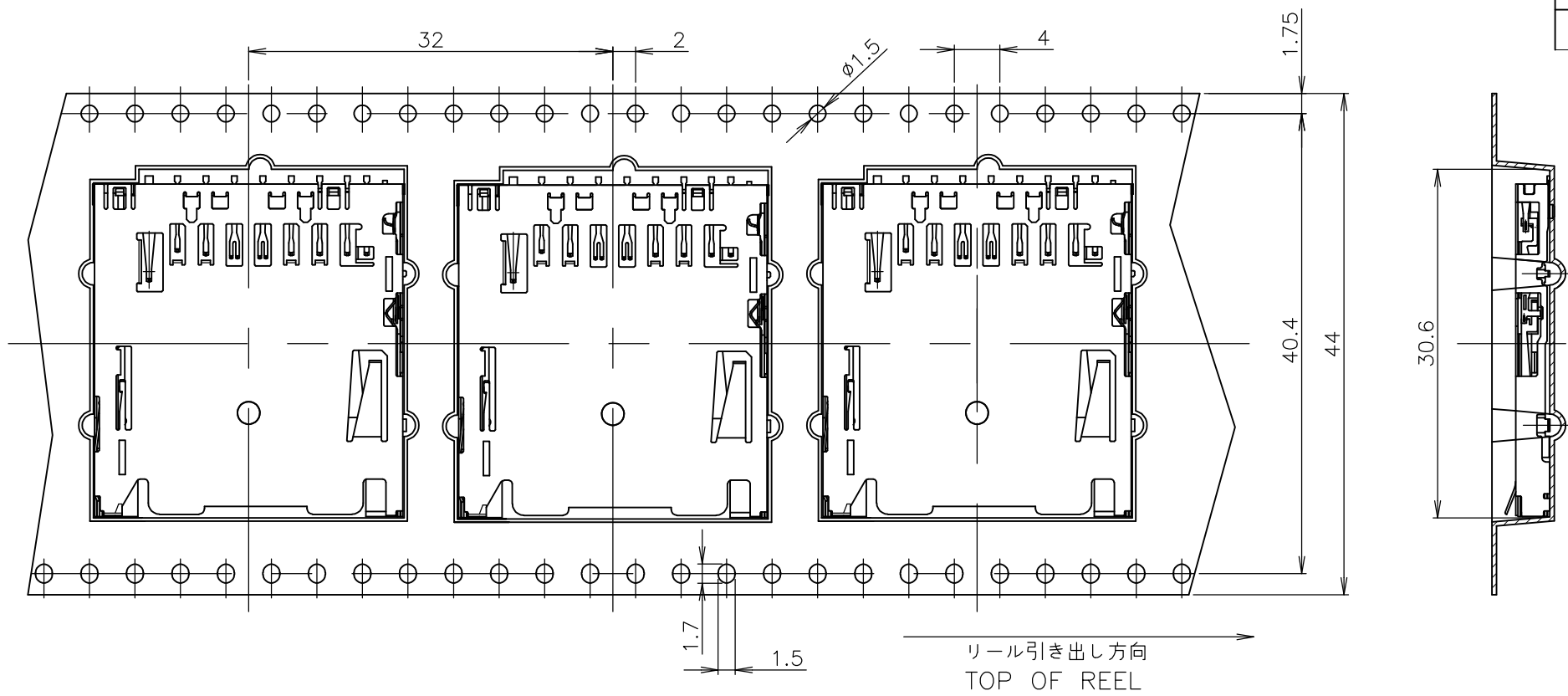
▨ : SOLDERING PAD

1903302=1,=2,-3,-4 ; AS SHOWN

THIS DRAWING IS A CONTROLLED DOCUMENT.		DWN	TE Connectivity		
DIMENSIONS: 単位: 耗 mm		CHK			
TOLERANCES UNLESS OTHERWISE SPECIFIED: 一般公差		APVD	NAME 名称		
0 PLC ± 0.3		PRODUCT SPEC 製品規格	SD MEMORY CARD CONNECTOR		
1 PLC ± 0.3		APPLICATION SPEC 取付適用規格	PUSH PUSH TYPE		
2 PLC ± 0.3		WEIGHT	SIZE	CAGE CODE	DRAWING NO 番号
3 PLC ± 0.3		CUSTOMER DRAWING	A3	00779	G-1903302
4 PLC ± 0.3			SCALE 尺度	NTS	SHEET 3 OF 4
ANGLES ± 3°		RESTRICTED TO			
FINISH 仕上					

THIS DRAWING IS UNPUBLISHED. RELEASED FOR PUBLICATION OCT. 2005.  
 © COPYRIGHT 2005 By - ALL RIGHTS RESERVED.

REVISIONS				
P	LTR	DESCRIPTION	DATE	APVD
-	-	SEE SHEET 1	-	-



1903302=1,=2,-3,-4 ; AS SHOWN

THIS DRAWING IS A CONTROLLED DOCUMENT.		DWN	<b>STE</b> TE Connectivity	
DIMENSIONS: 単位: 耗 mm		CHK		
TOLERANCES UNLESS OTHERWISE SPECIFIED: 一般公差		APVD	NAME 名称	
0 PLC ± 0.3		PRODUCT SPEC 製品規格	SD MEMORY CARD CONNECTOR	
1 PLC ± 0.3		APPLICATION SPEC 取付適用規格	PUSH PUSH TYPE	
2 PLC ± 0.3		WEIGHT	REVERSE H0	
3 PLC ± 0.3		CUSTOMER DRAWING	SIZE	RESTRICTED TO
4 PLC ± 0.3			A3	
ANGLES ± 3'		CAGE CODE		SCALE
FINISH 仕上		00779		NTS
MATERIAL 材料		DRAWING NO		SHEET
		G-1903302		4 OF 4
		REV		G1