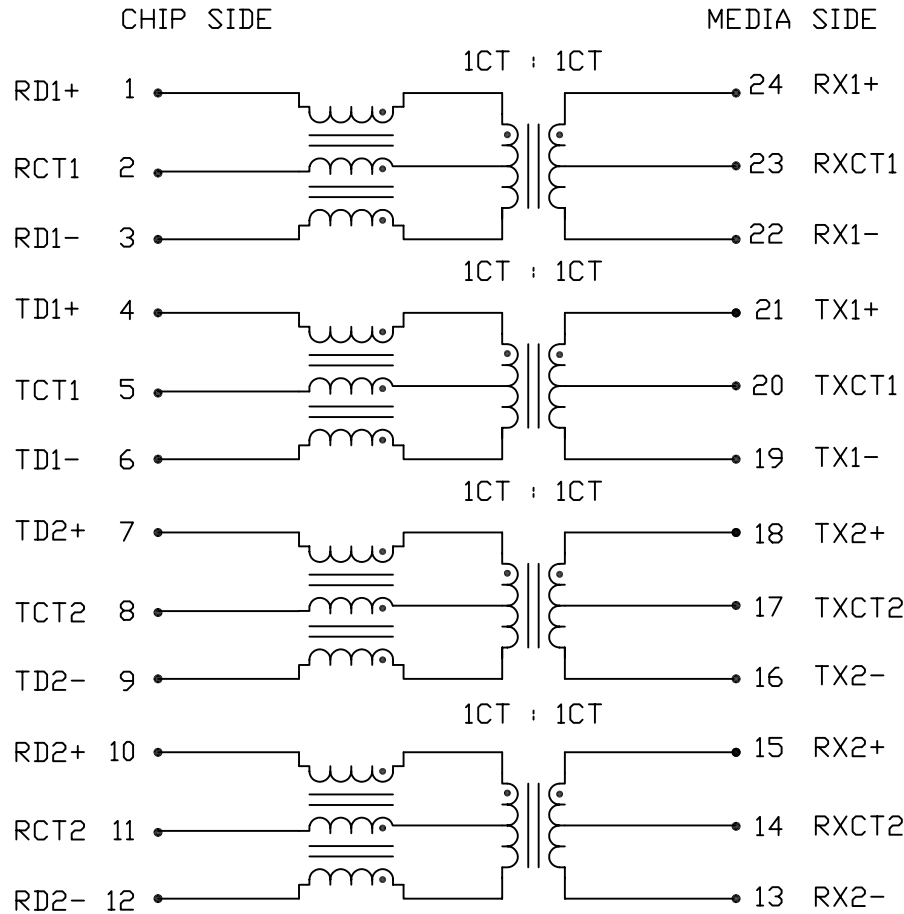


THE INFORMATION CONTAINED HEREIN IS CONSIDERED 'PROPRIETARY' TO BEL FUSE INC. AND SHALL NOT BE COPIED, REPRODUCED OR DISCLOSED WITHOUT THE WRITTEN APPROVAL OF BEL FUSE INC.



SCHEMATIC

ELECTRICAL CHARACTERISTICS (@25°C)



TURNS RATIO CHIP SIDE : MEDIA SIDE	1CT : 1CT
POLARITY	PER DOT CONVENTION
OCL MEDIA SIDE	350µH MIN @100kHz, 100mVrms WITH 8mA DC BIAS
INSERTION LOSS 300kHz 1MHz TO 100MHz 125MHz	1.2dB MAX 1.0dB MAX 3.0dB MAX
RETURN LOSS 1MHz TO 30MHz 30MHz TO 80MHz 100MHz	18dB MIN 12-20LOG(F/80MHz) dB MIN 10dB MIN
CROSSTALK 1MHz 10MHz TO 100MHz	55dB MIN 55-24LOG(F/10MHz) dB MIN
DM TO CM REJECTION 2MHz 30MHz TO 200MHz	60dB MIN 40-22LOG(F/30MHz) dB MIN
HIPOT	PER HAND-WORK-03

NOTES:  
DESIGN FOR 10/100/1000BT WITH PoE APPLICATION

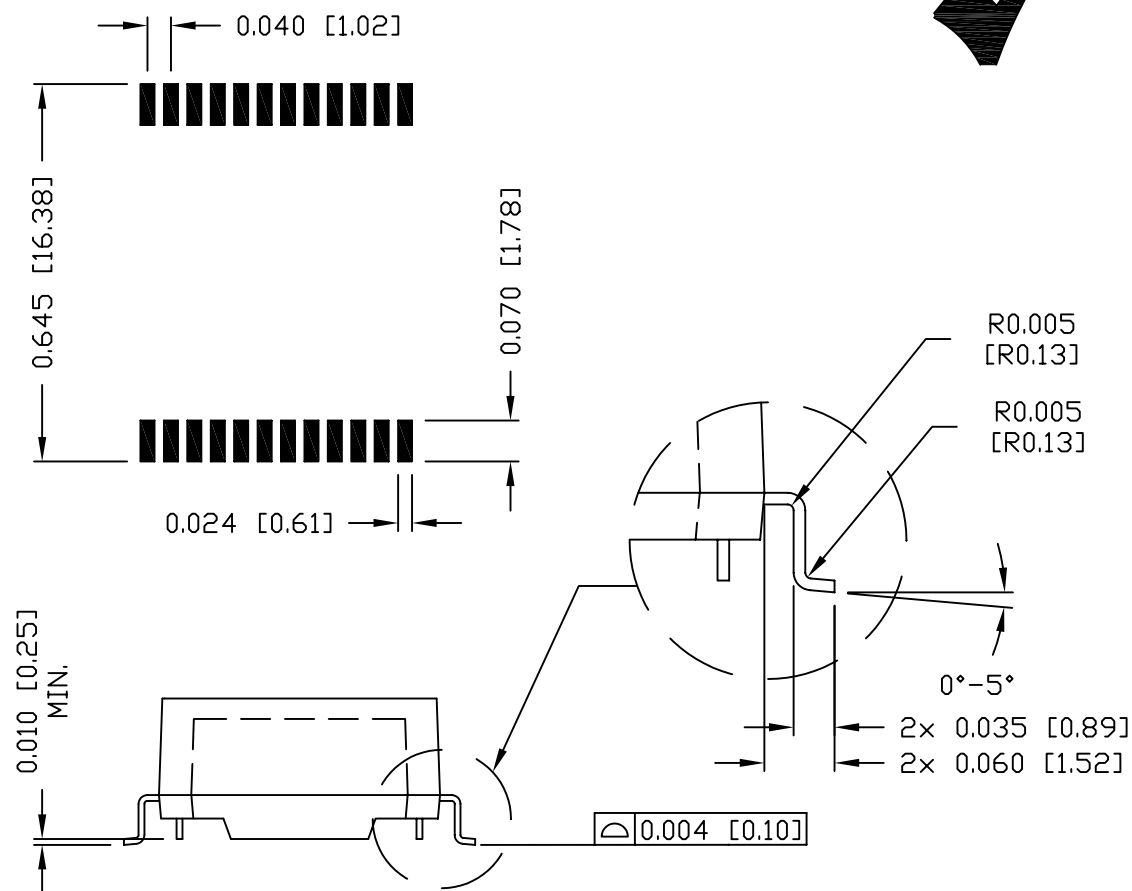
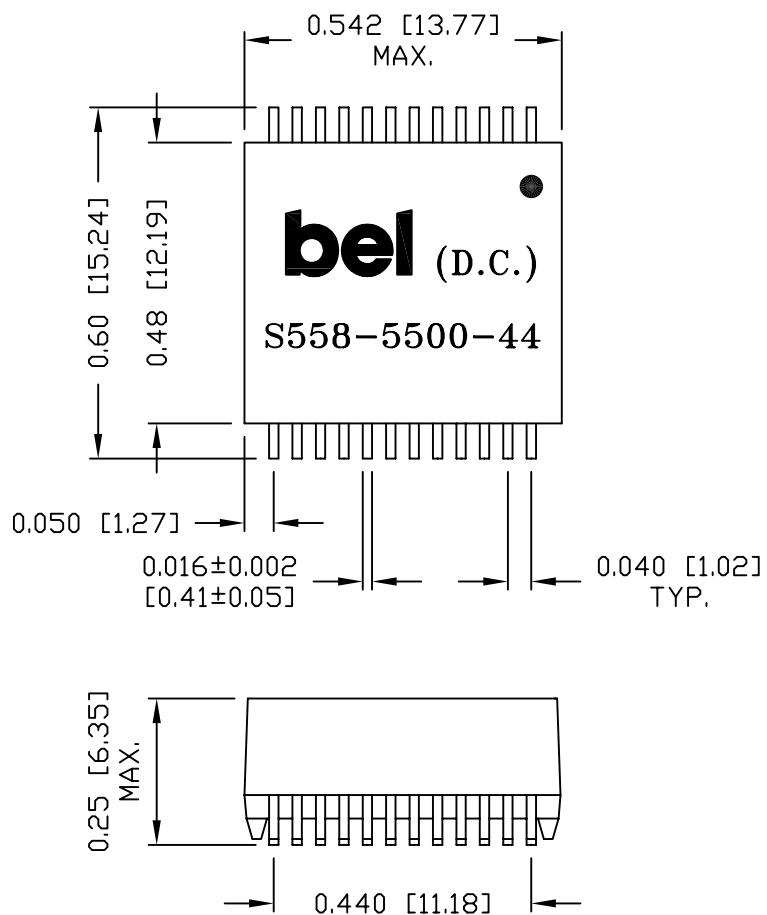
REV. : C      PAGE : 2

ORIGINATED BY	DATE	TITLE	PART NO. / DRAWING NO.	STANDARD DIM. [ ] METRIC DIM. AS REF.		
Alice Pang	2015-01-26	ELECTRICAL SPECIFICATION S558-5500-44	X558-5500-44	TOL. IN INCH		
DRAWN BY	DATE		FILE NAME	.X		UNIT : INCH [mm]
ZC Guo	2015-01-26		X558550044C.DWG	.XX		SCALE : N/A
				.XXX	SIZE : A4	

THE INFORMATION CONTAINED HEREIN IS CONSIDERED "PROPRIETARY" TO BEL FUSE INC. AND SHALL NOT BE COPIED, REPRODUCED OR DISCLOSED WITHOUT THE WRITTEN APPROVAL OF BEL FUSE INC.



SUGGESTED PCB PAD LAYOUT



NOTES:

- STANDARD MARKING REFER TO DOC. HAND-WORK-04.
- PACKAGE CODE: "QSS001".

REV. : C PAGE : 2

ORIGINATED BY	DATE	TITLE	PART NO. / DRAWING NO.	STANDARD DIM.	[ ] METRIC DIM. AS REF.
Lawrence Tsang	2015-01-26	MECHANICAL OUTLINE S558-5500-44	X558-5500-44	TOL. IN INCH	UNIT : INCH [mm]
DRAWN BY	DATE		FILE NAME	.X	SCALE : N/A
ZC Guo	2015-01-26		X558550044C.DWG	.XX ±0.01	SIZE : A4
				.XXX ±0.005	

