

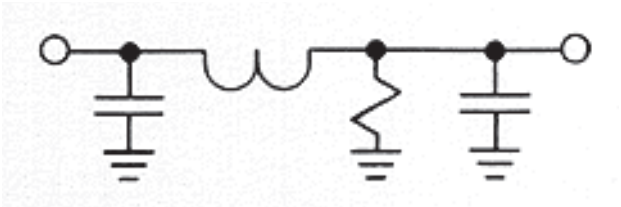
# DS

## HIGH PERFORMANCE DC POWER FILTER

### FEATURES

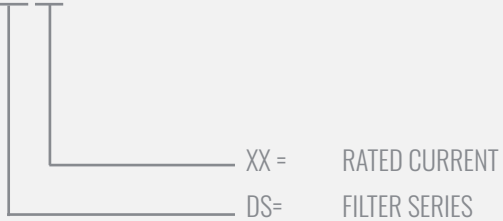
- » **Rated currents** include **100A**
- » Single Stage Line Filter
- » Provides effective attenuation in applications requiring DC power conversion
- » Available with **S** (studs) option
- » High Performance Design
- » Y-cap value can be adjusted to fit specification

### ELECTRICAL SCHEMATIC



### HOW TO ORDER

DS XX



**NOTE:** USE ANY COMBINATION OF -X (AMPS) WITH ANY -Y RATINGS  
E.G. **DS100**(100 AMPS)



### SPECIFICATIONS

**MAX. OPERATING VOLTAGE** 60VDC +10%  
**TERMINALS (-T)** STUDS: (100A)

**TYP. WEIGHT, LBS (KG)** 1.67 (0.75)

**LEAKAGE CURRENT**  
**@ 250 VAC 60 Hz** Contact Factory

**HIPOT RATINGS**  
**LINE TO GROUND** 150 VDC

### TYPICAL APPLICATIONS

- ✓ High power rectifiers
- ✓ Uninterrupted power supplies
- ✓ Inverters
- ✓ VFD
- ✓ PWM

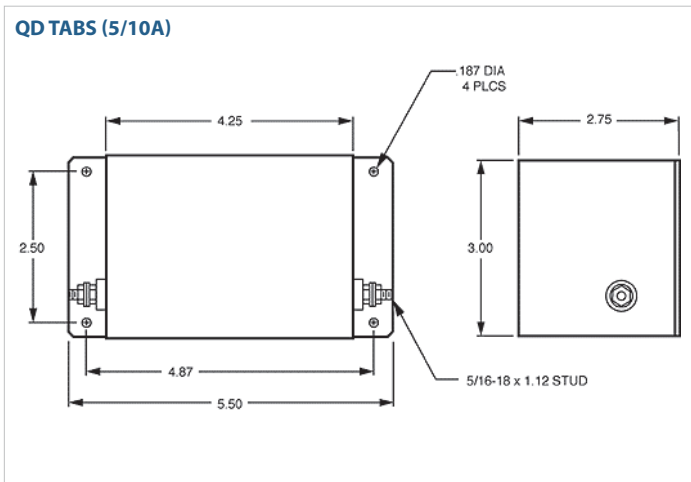
# DS

## HIGH PERFORMANCE DC POWER FILTER

| MODEL NO. | RATED CURRENT (A) @ 40° C | Y-CAP, nF | LEAKAGE CURRENT, mA @ 250V AC, 60 Hz | TERMINAL OPTIONS |                  |                  | MAX. DIMENSIONS" (MM) |          |        |
|-----------|---------------------------|-----------|--------------------------------------|------------------|------------------|------------------|-----------------------|----------|--------|
|           |                           |           |                                      | (QD)INPUT/OUTPUT | (S) INPUT/OUTPUT | (C) INPUT/OUTPUT | WIDTH                 | (LENGTH) | HEIGHT |
| DS100     | 100                       | *         | *                                    |                  | ✓                |                  | 3"                    | 5.50"    | 2.75"  |

\*Contact factory for part data.

### DP MECHANICAL OUTLINES (MM)



TYPICAL TOLERANCE: +/-0.02" (0.50MM)

### TYPICAL INSERTION LOSS, dB (50/50 Ohm)

| Amps | Freq (MHz) | 0.15 | 0.5 | 1.0 | 10 | 30 |
|------|------------|------|-----|-----|----|----|
| 100  | CM (dB)    | *    | *   | *   | *  | *  |
|      | DM (dB)    | 60   | 60  | 56  | 60 | 62 |

\*Contact factory for part data.