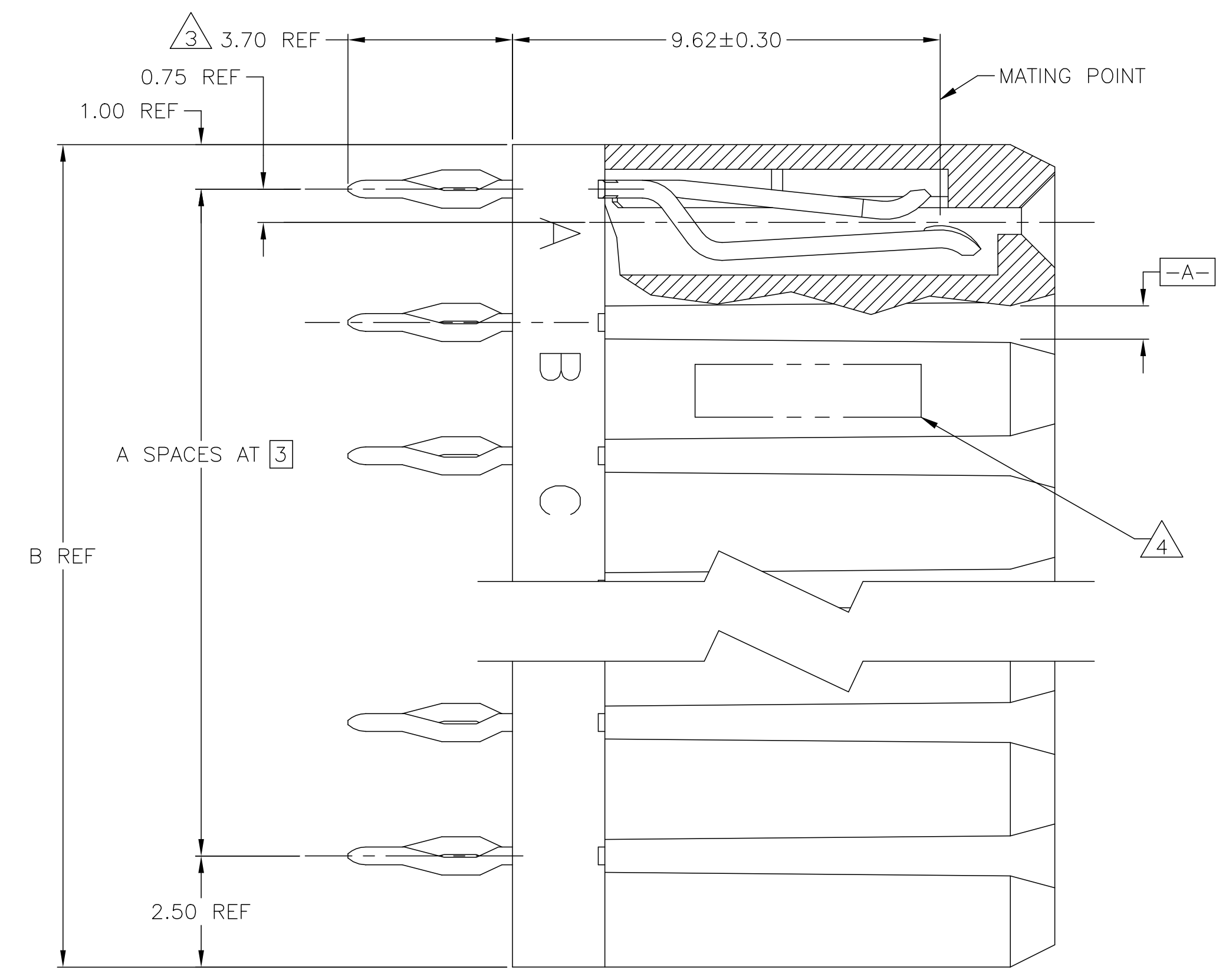
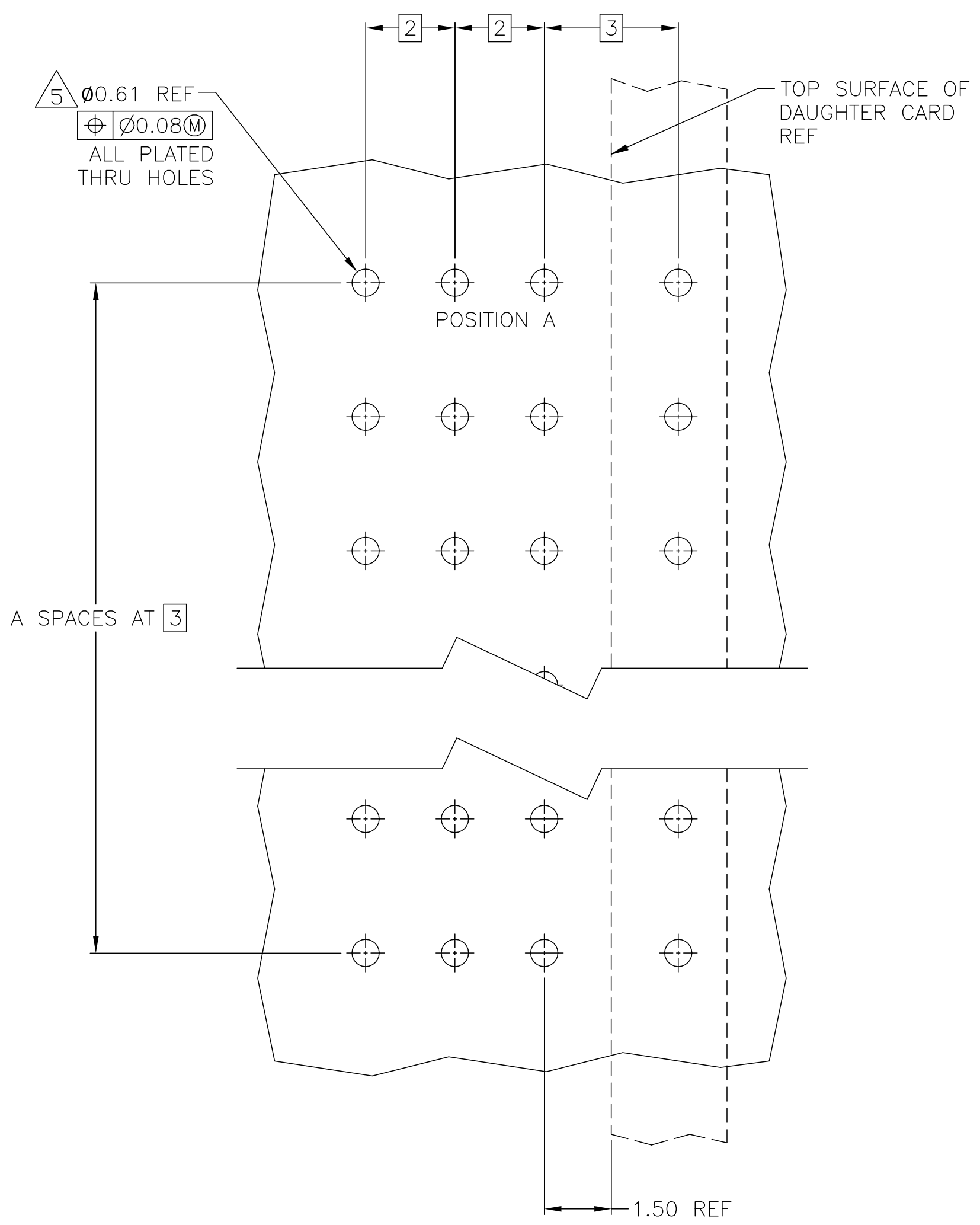
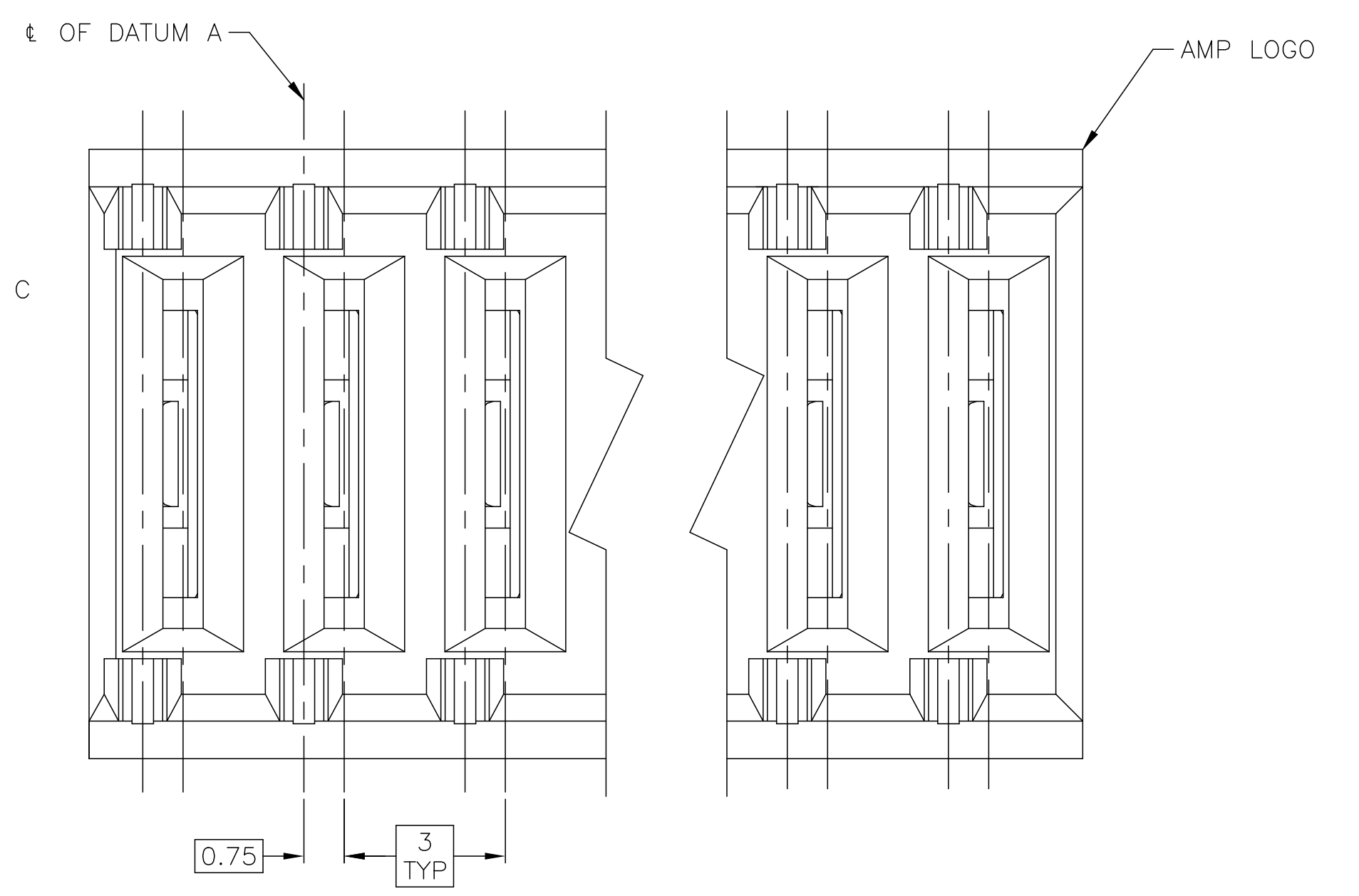
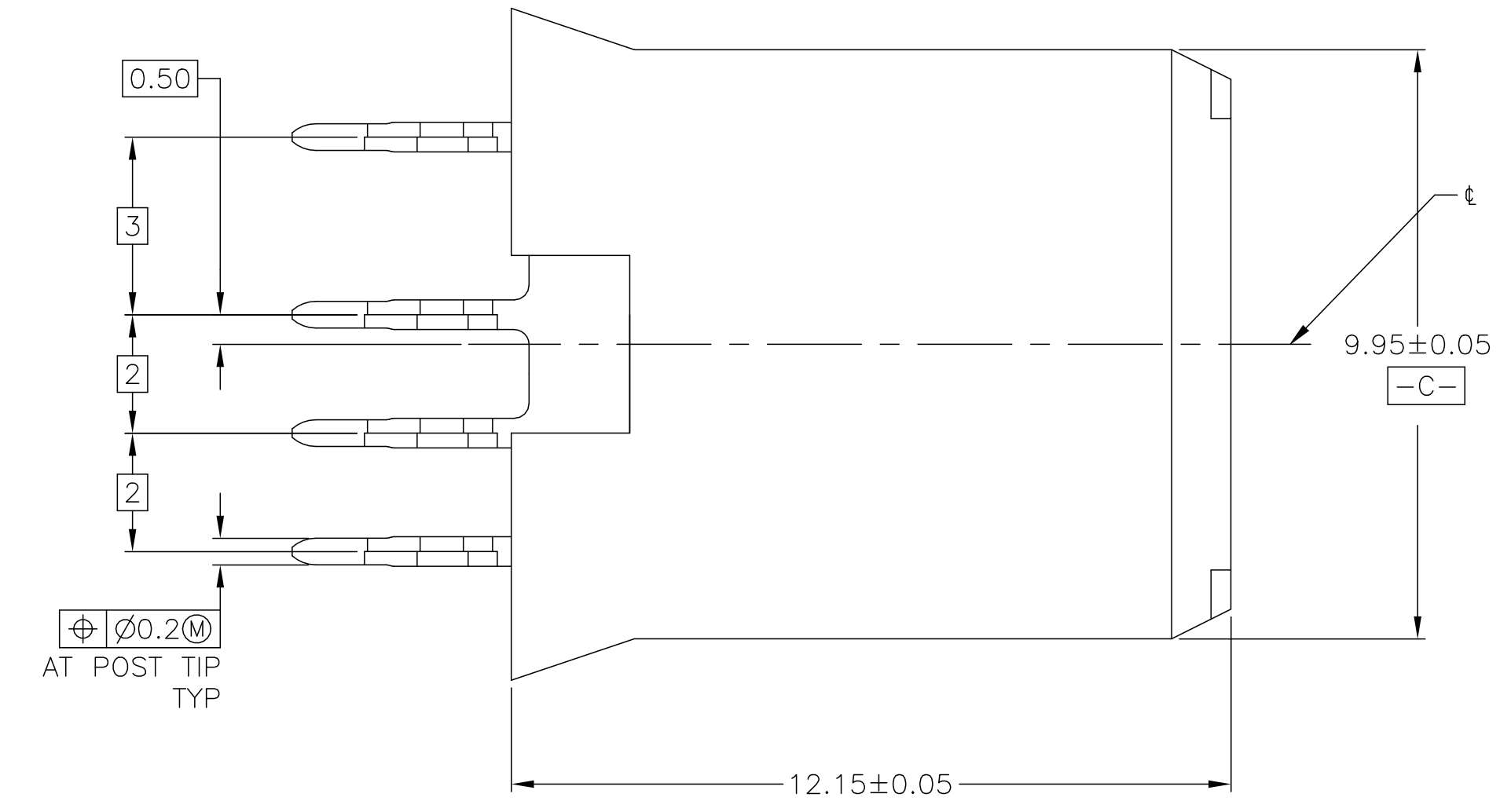
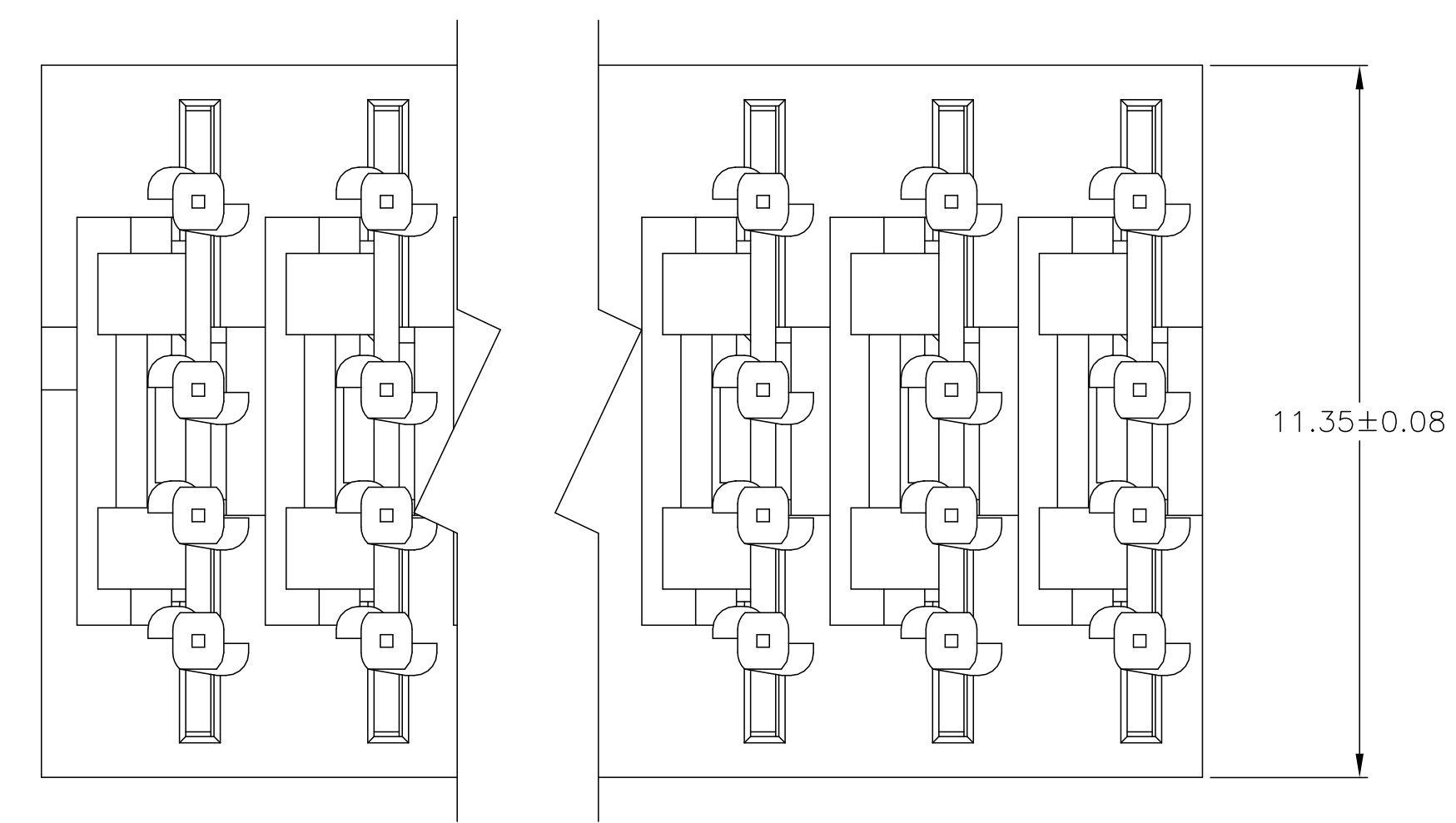


LOC		DIST		REVISIONS			
P	LTR	DESCRIPTION	DATE	OWN	APVD		
B3		REVISED PER ECO-20-004668	08MAY2020	ML	SZ		

- 1 MATERIAL: HOUSING : POLYESTER, GRAY. UL 94V-0.
CONTACT: HIGH CURRENT COPPER ALLOY.
- 2 FINISH: IN ACCORDANCE WITH PRODUCT SPECIFICATION 108-1651,
GOLD PLATING OR EQUIVALENT PLATING ON PRODUCT CONTACT MATING AREA,
AND MATTE TIN PLATING ON COMPLIANT PIN AREA, ALL OVER MATTE NICKEL
UNDERPLATED. DETAIL PLEASE REFER TO PRODUCT SPECIFICATION 108-1651.
- 3 TOLERANCE TO BE ±0.28 AFTER CONNECTOR IS APPLIED TO PC BOARD.
- 4 DATE CODE THIS APPROXIMATE AREA, OPPOSITE SIDE.
- 5 REFERENCE APPLICATION SPEC 114-1103 FOR RECOMMENDED
PLATED THRU HOLE DIAMETER AND PLATING THICKNESS.
- 6. CURRENT RATING 16A/CONTACT PER PRODUCT SPEC 108-1651.
- 7 FINISH: CONTACT LUBRICATION WITH BELLCORE APPROVED LUBRICANT.
TECHNICAL REFERENCE: GR-1217-CORE ISSUE 1, NOVEMBER 1995.



RECOMMENDED PCB HOLE LAYOUT

NOTE	PLATING	POSITION	B REF	A	PART NUMBER
NOTE 2		12	36.5	11	120953-9
NOTE 2		11	33.5	10	120953-8
NOTE 2		10	30.5	9	120953-7
NOTE 2		9	27.5	8	120953-6
NOTE 2		8	24.5	7	120953-5
NOTE 2		7	21.5	6	120953-4
NOTE 2		6	18.5	5	120953-3
NOTE 2		5	15.5	4	120953-2
NOTE 2		4	12.5	3	120953-1

THIS DRAWING IS A CONTROLLED DOCUMENT.

DIMENSIONS:	TOLERANCES UNLESS OTHERWISE SPECIFIED:	DWI: B. CARBO	130CT04
mm		CHK: R. PATTERSON	130CT04
0 PLC ± -		APVD: R. PATTERSON	130CT04
1 PLC ± -		NAME: R. PATTERSON	
2 PLC ± 0.15		PRODUCT SPEC: 108-1651	
3 PLC ± -		APPLICATION SPEC: 114-1103	
4 PLC ± -		SIZE: A1	CAGE CODE: 00779
ANGLES ± -		DRAWING NO: C=120953	RESTRICTED TO: -
FINISH		WEIGHT: -	SCALE: 10:1
		CUSTOMER DRAWING	SHEET 1 OF 1

TE Connectivity
VERTICAL RECEPTACLE ASSEMBLY
UNIVERSAL POWER MODULE HC