



New Product Announcement

AP7354

Ultra-Low Quiescent Current 150mA LDO

The AP7354 is a low dropout voltage regulator that features extremely low quiescent current. With its ultra-low typical quiescent current of 0.25 microamps and miniature package dimensions, the AP7354 is well suited for low power handheld, wearable device, and other battery-operated devices requiring an extended time period before a new battery replacement.

The Internet-of-Things adds new products many of which are remote sensing devices requiring low power consumption.

Products depending on energy harvesting, coin cells, or multiple years of service from a single battery are the types of applications for which the AP7354 is suited.

Packages:
SOT23 (future product)
SOT25
X2-DFN1010-4



The Diodes Advantage

- **Lowest Quiescent Current**
A typical quiescent current of 0.25µA leads to extended battery life for those applications where power must be conserved.
- **Choose Package Best Suited For Application**
Currently available the SOT23 and SOT25 are suited for applications needing long battery life but may not be constrained to the smallest package space. The DFN1010 at 1.0mm X 1.0mm offers a small footprint without using chips scale.
- **1.0% Output Accuracy at Room Temp, 1.5% over -40 to +85°C**
Maintains accuracy over wide range of conditions. No need to sacrifice accuracy for small size.
- **Product Targeted for Wearables, IOT, or Long Term Applications**
The AP7354 is designed specially for extending battery life.



New Product Announcement

AP7354

Ordering Information

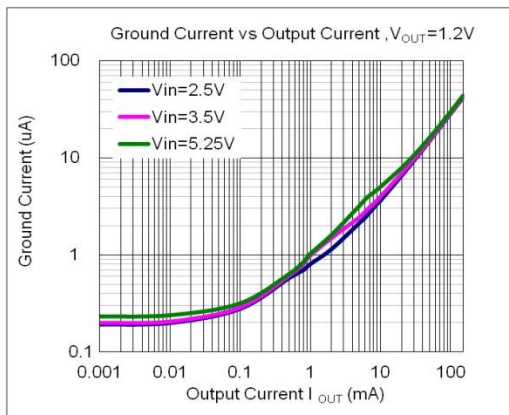
Device	Package Code	Package	Discharge	Tape and Reel Quantity on 7" Reel
AP7354-XXSA-7*	SA	SOT23	No	3,000
AP7354-XXW5-7	W5	SOT25	No	3,000
AP7354D-XXW5-7	W5	SOT25	Yes	3,000
AP7354-XXFS4-7	FS4	X2-DFN1010-4	No	3,000
AP7354D-XXFS4-7	FS4	X2-DFN1010-4	Yes	3,000

XX = voltage option
*future product

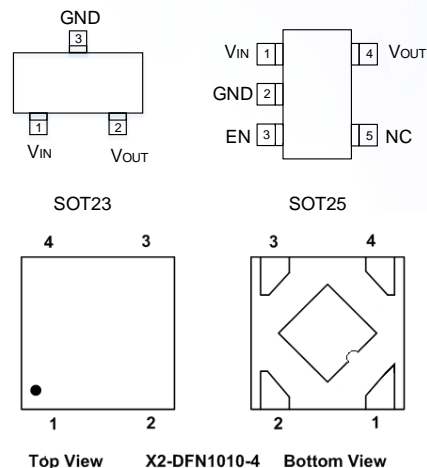
Voltage Options

XX option	Output Voltage
12	1.2V
15	1.5V
18	1.8V
185	1.85V
25	2.5V
28	2.8V
30	3.0V
33	3.3V
45	4.5V

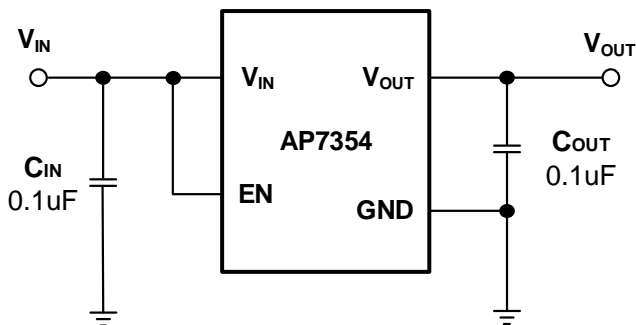
Ultra Low Quiescent Current



Package Options



Typical Application



The low quiescent current and small size makes this low dropout regulator an ideal candidate for wearables, remote sensing, and situations needing extend battery life.