

# C1608NP01H560J080AA

TDK Item Description : C1608NP01H560JT\*\*\*\*

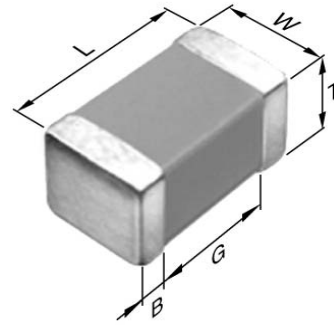


## Application & Main Feature

Commercial Grade ( High Temperature Application )

## Series

C1608 [EIA CC0603]



## Dimensions

L 1.60mm +/-0.1mm  
W 0.80mm +/-0.1mm  
T 0.80mm +/-0.1mm  
B 0.20mm Min.  
G 0.30mm Min.

## Temperature Characteristic

NP0 (-55 to 150 degC 0+/-30ppm/degC)

## Rated Voltage

1H (50Vdc)

## Capacitance

56pF

## Capacitance Tolerance

J (+/-5%)

## Q Factor

1000 Min.

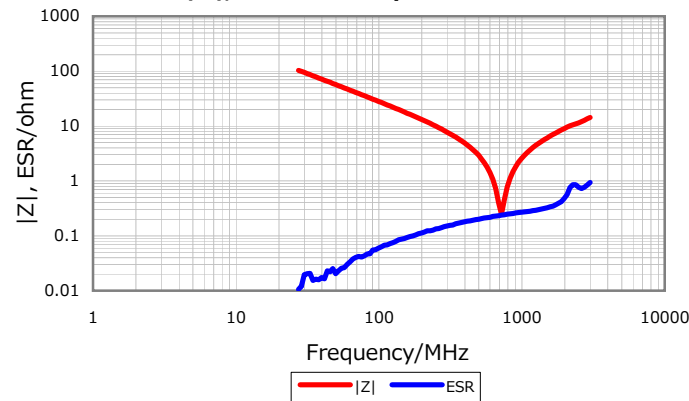
## Insulation Resistance

10Gohm Min.

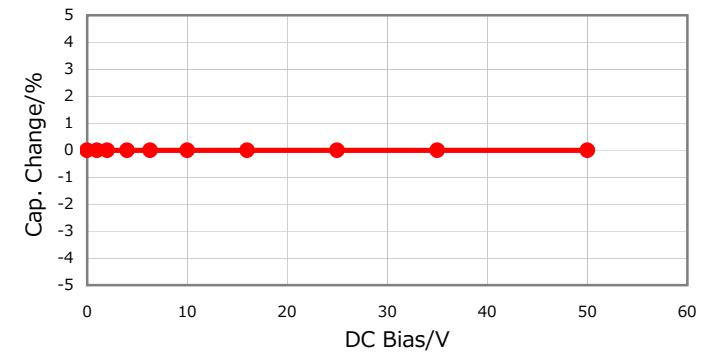
## AEC-Q200

Not Applicable

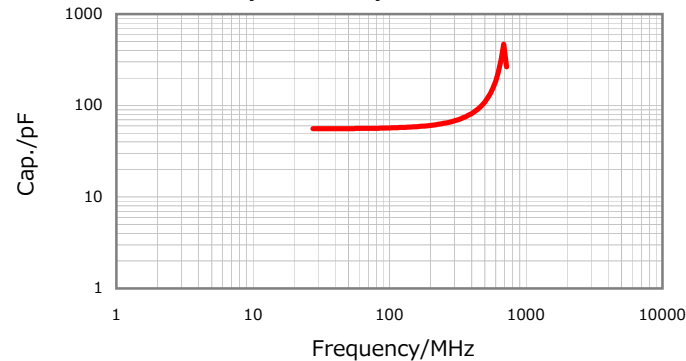
### |Z|, ESR vs. Freq. Characteristics



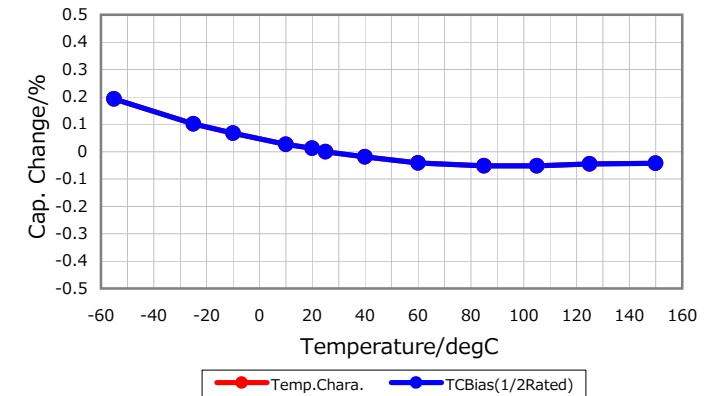
### DC Bias Characteristic



### Cap. vs. Freq. Characteristic



### Temperature Characteristics



Characterization Sheet ( Multilayer Ceramic Chip Capacitors )



All specifications are subject to change without notice.

January 3, 2016