

***±15kV ESD-Protected, Slew-Rate-Limited, Fail-Safe,  
True RS-485 Transceivers***

***UM3085E/UM3088E SOP8/DIP8***

**General Description**

The UM3085E, UM3088E are ±15kV ESD-protected, high-speed transceivers for RS-485 communication that contain one driver and one receiver. These devices feature fail-safe circuitry, which guarantees a logic-high receiver output when the receiver inputs are open, shorted or idle. This means that the receiver output will be logic high if all transmitters on a terminated bus are disabled (high impedance). The UM3085E features reduced slew-rate driver that minimizes EMI and reduces reflections caused by improperly terminated cables, allowing error-free data transmission up to 500kbps. While partially slew-rate limited UM3088E speeds up to 2.5Mbps. All devices feature enhanced ESD protection. All transmitter outputs and receiver inputs are protected to ±15kV using the Human Body Model and IEC61000-4-2, Air-Gap Discharge. The transceivers typically draw 400µA of supply current when unloaded, or when fully loaded with the drivers disabled. All devices have a 1/8-unit-load receiver input impedance that allows up to 256 transceivers on the bus and are intended for half-duplex communications.

**Applications**

- RS-485 Transceivers
- Level Translators
- Industrial-Control Local Area Networks
- Transceivers for EMI-Sensitive Applications

**Features**

- ESD Protection for RS-485 I/O Pins  
±15kV—Human Body Model  
±15kV—IEC61000-4-2, Air-Gap Discharge
- True Fail-Safe Receiver while Maintaining EIA/TIA-485 Compatibility
- Enhanced Slew-Rate Limiting Facilitates Error-Free Data Transmission
- 2nA Low-Current Shutdown Mode
- -7V to +12V Common-Mode Input Voltage Range
- Allows up to 256 Transceivers on the Bus
- Thermal Shutdown
- Current-Limiting for Driver Overload Protection

**Ordering Information**

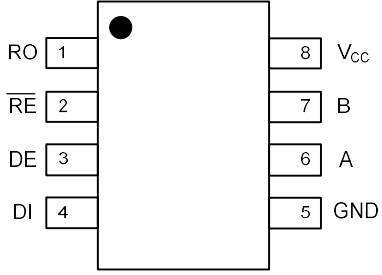
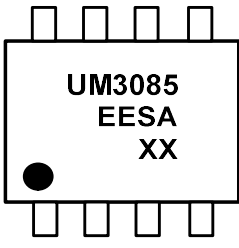
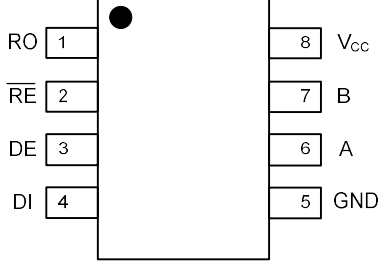
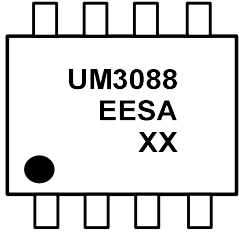
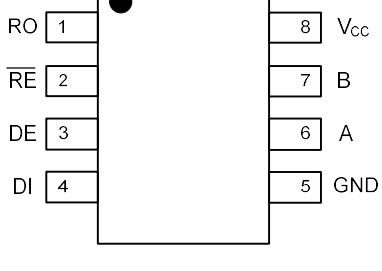
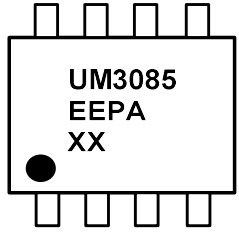
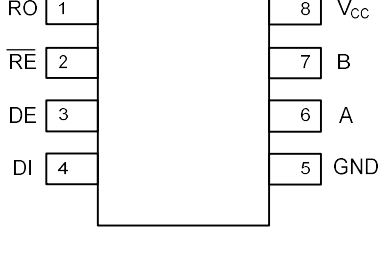
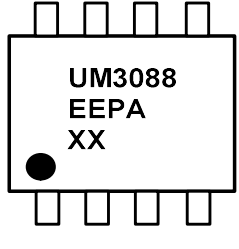
Part Number	Operating Temperature	Marking Code	Packaging Type	Shipping Qty
UM3085EESA	-40°C to +85°C	UM3085EESA	SOP8	3000pcs/13 Inch Tape & Reel
UM3085EEPA	-40°C to +85°C	UM3085EEPA	DIP8	50pcs/Tube
UM3088EESA	-40°C to +85°C	UM3088EESA	SOP8	3000pcs/13 Inch Tape & Reel
UM3088EEPA	-40°C to +85°C	UM3088EEPA	DIP8	50pcs/Tube

**Selection Guide**

Part Number	Guaranteed Data Rate (Mbps)	Low-Power Shutdown	Slew-Rate Limited	Driver/Receiver Enable	Shutdown Current (nA)	Transceivers On Bus	±15kV ESD Protection
UM3085E	0.5	Yes	Yes	Yes	2	256	Yes
UM3088E	2.5	Yes	Yes	Yes	2	256	Yes

## Pin Configurations

## Top View

 <p>RO 1</p> <p><math>\overline{RE}</math> 2</p> <p>DE 3</p> <p>DI 4</p> <p>8 V<sub>CC</sub></p> <p>7 B</p> <p>6 A</p> <p>5 GND</p>	 <p>UM3085 EESA XX</p> <p>XX: Week Code UM3085EESA SOP8</p>
 <p>RO 1</p> <p><math>\overline{RE}</math> 2</p> <p>DE 3</p> <p>DI 4</p> <p>8 V<sub>CC</sub></p> <p>7 B</p> <p>6 A</p> <p>5 GND</p>	 <p>UM3088 EESA XX</p> <p>XX: Week Code UM3088EESA SOP8</p>
 <p>RO 1</p> <p><math>\overline{RE}</math> 2</p> <p>DE 3</p> <p>DI 4</p> <p>8 V<sub>CC</sub></p> <p>7 B</p> <p>6 A</p> <p>5 GND</p>	 <p>UM3085 EEPA XX</p> <p>XX: Week Code UM3085EEPA DIP8</p>
 <p>RO 1</p> <p><math>\overline{RE}</math> 2</p> <p>DE 3</p> <p>DI 4</p> <p>8 V<sub>CC</sub></p> <p>7 B</p> <p>6 A</p> <p>5 GND</p>	 <p>UM3088 EEPA XX</p> <p>XX: Week Code UM3088EEPA DIP8</p>

**Pin Description**

Pin Number	Symbol	Function
1	RO	Receiver Output. If $A > B$ by $-50\text{mV}$ , RO will be high; if $A < B$ by $200\text{mV}$ , RO will be low.
2	$\overline{\text{RE}}$	Receiver Output Enable. Drive $\overline{\text{RE}}$ low to enable Receiver, RO is high impedance when $\overline{\text{RE}}$ is high. Drive $\overline{\text{RE}}$ high and DE low to enter low-power shutdown mode.
3	DE	Driver Enable. Drive DE high to enable drivers. The outputs are high impedance when DE is low. Drive $\overline{\text{RE}}$ high and DE low to enter low-power shutdown mode.
4	DI	Driver Input. A low on DI forces output A low and output B high. Similarly, a high on DI forces output A high and output B low.
5	GND	Ground.
6	A	Non-Inverting Receiver Input and Non-Inverting Driver Output.
7	B	Inverting Receiver Input and Inverting Driver Output.
8	V <sub>CC</sub>	Power Supply for RS-485 Transceiver.

**Absolute Maximum Ratings**

Symbol	Parameter	Value	Unit
V <sub>CC</sub>	Supply Voltage	+7	V
	Control Input Voltage ( $\overline{\text{RE}}$ , DE)	-0.3V to (V <sub>CC</sub> + 0.3V)	V
	Driver Input Voltage (DI)	-0.3V to (V <sub>CC</sub> + 0.3V)	V
	Driver Output Voltage (A, B)	-7.5 to +12.5	V
	Receiver Input Voltage (A, B)	-7.5 to +12.5	V
	Receiver Output Voltage (RO)	-0.3V to (V <sub>CC</sub> + 0.3V)	V
T <sub>A</sub>	Ambient Temperature	-40 to +85	°C
T <sub>STG</sub>	Storage Temperature Range	-65 to +160	°C
T <sub>L</sub>	Lead Temperature for Soldering 10 seconds	+300	°C

**DC Electrical Characteristics**

( $V_{CC} = +5V \pm 5\%$ ,  $T_A = T_{MIN}$  to  $T_{MAX}$ , unless otherwise noted. Typical values are at  $V_{CC} = +5V$  and  $T_A = +25^{\circ}C$ .) (Note 1)

Parameter	Symbol	Test Conditions	Min	Typ	Max	Unit	
<b>SUPPLY CURRENT</b>							
Supply Current	$I_{CC}$	No Load, DI=GND or $V_{CC}$	DE= $V_{CC}$ , RE=0V or $V_{CC}$	0.3			mA
			DE=0V, RE=0V	0.25			
Supply Current in Shutdown Mode	$I_{SHDN}$	DE=GND, RE= $V_{CC}$	0.002		10	$\mu A$	
<b>LOGIC</b>							
Input High Voltage	$V_{IH1}$	DE, DI, RE	2.0			V	
Input Low Voltage	$V_{IL1}$	DE, DI, RE			0.8	V	
DI Input Hysteresis	$V_{HYS}$	UM3085E	100			mV	
<b>DRIVER</b>							
Differential Driver Output	$V_{OD1}$	No Load, Figure 2			5	V	
Differential Driver Output	$V_{OD2}$	Figure 2, R=50 $\Omega$	1.5			V	
Change-in-Magnitude of Differential Output Voltage	$\Delta V_{OD}$	Figure 2, R=50 $\Omega$ (Note 2)			0.2	V	
Driver Common-Mode Output Voltage	$V_{OC}$	Figure 2, R=50 $\Omega$			3.0	V	
Change-in-Magnitude of Common-Mode Voltage	$\Delta V_{OC}$	Figure 2, R=50 $\Omega$ (Note 2)			0.2	V	
Driver Short-Circuit Output Current (Note 3)	$I_{OSD}$	$V_{OUT} = -7V$		-250		mA	
		$V_{OUT} = 12V$		250			

**DC Electrical Characteristics (Continued)**

( $V_{CC} = +5V \pm 5\%$ ,  $T_A = T_{MIN}$  to  $T_{MAX}$ , unless otherwise noted. Typical values are at  $V_{CC} = +5V$  and  $T_A = +25^\circ C$ .) (Note 1)

Parameter	Symbol	Test Conditions	Min	Typ	Max	Unit
<b>RECEIVER</b>						
Receiver Differential Threshold Voltage	$V_{TH}$	$-7V \leq V_{CM} \leq 12V$	-200		-50	mV
Receiver Input Hysteresis	$\Delta V_{TH}$	$V_{CM} = 0V$		25		mV
Receiver Input Resistance	$R_{IN}$	$-7V \leq V_{CM} \leq 12V$	96			k $\Omega$
Input Current (A and B)	$I_{IN2}$	DE=GND, $V_{CC} = GND$ or 5V	$V_{IN} = 12V$		1.0	mA
			$V_{IN} = -7V$		-0.8	
Receiver Output High Voltage	$V_{OH}$	$I_O = -1.5mA$ , $V_{ID} = 200mV$	$V_{CC}$ -1.5			V
Receiver Output Low Voltage	$V_{OL}$	$I_O = 2.5mA$ , $V_{ID} = 200mV$			0.4	V
Three-State Output Current at Receiver	$I_{OZR}$	$V_{CC} = 5V$ , $0V \leq V_O \leq V_{CC}$			$\pm 1$	$\mu A$
Receiver Output Short Circuit Current	$I_{OSR}$	$0V \leq V_{RO} \leq V_{CC}$	$\pm 8$		$\pm 60$	mA
<b>ESD Protection</b>						
ESD Protection for A, B		Human Body Model			$\pm 15$	kV
		IEC61000-4-2 Air			$\pm 15$	
		IEC61000-4-2 Contact			$\pm 8$	

Note 1: All currents into the device are positive; all currents out of the device are negative. All voltages are referred to device ground unless otherwise noted.

Note 2:  $\Delta V_{OD}$  and  $\Delta V_{OC}$  are the changes in  $V_{OD}$  and  $V_{OC}$ , respectively, when the DI input changes state.

Note 3: Maximum current level applies to peak current just prior to fold back current limiting; minimum current level applies during current limiting.

**Switching Characteristics (UM3085E)**

( $V_{CC} = +5V \pm 5\%$ ,  $T_A = T_{MIN}$  to  $T_{MAX}$ , unless otherwise noted. Typical values are at  $V_{CC} = +5V$  and  $T_A = +25^\circ C$ .)

Parameter	Symbol	Test Conditions	Min	Typ	Max	Unit
Maximum Data Rate	$f_{MAX}$			500		kbps
Driver Input-to-Output	$t_{DPLH}$	Figure 3 and 7, $R_{DIFF}=54\Omega$ , $C_{L1}=C_{L2}=100pF$	250	720	1000	ns
	$t_{DPHL}$		250	720	1000	
Driver Output Skew $ t_{DPLH} - t_{DPHL} $	$t_{DSKEW}$	Figure 3 and 7, $R_{DIFF}=54\Omega$ , $C_{L1}=C_{L2}=100pF$		3	100	ns
Driver Rise or Fall Time	$t_{DR}, t_{DF}$	Figure 3 and 7, $R_{DIFF}=54\Omega$ , $C_{L1}=C_{L2}=100pF$	200	530	750	ns
Driver Enable to Output High	$t_{DZH}$	Figure 4 and 8, $C_L=100pF$ , S2 Closed			2500	ns
Driver Enable to Output Low	$t_{DZL}$	Figure 4 and 8, $C_L=100pF$ , S1 Closed			2500	ns
Driver Disable Time from Low	$t_{DLZ}$	Figure 4 and 8, $C_L=15pF$ , S1 Closed			100	ns
Driver Disable Time from High	$t_{DHZ}$	Figure 4 and 8, $C_L=15pF$ , S2 Closed			100	ns
Receiver Input to Output	$t_{RPLH}, t_{RPHL}$	$ V_{ID}  \geq 2.0V$ , Rise and Fall Time of $V_{ID} \leq 15ns$		127	200	ns
Differential Receiver Skew $ t_{RPLH} - t_{RPHL} $	$t_{RSKD}$	Figure 6 and 9, $ V_{ID}  \geq 2.0V$ , Rise and Fall Time of $V_{ID} \leq 15ns$		3	30	ns
Receiver Enable to Output Low	$t_{RZL}$	Figure 5 and 10, $C_L=100pF$ , S1 Closed		20	50	ns
Receiver Enable to Output High	$t_{RZH}$	Figure 5 and 10, $C_L=100pF$ , S2 Closed		20	50	ns
Receiver Disable Time from Low	$t_{RLZ}$	Figure 5 and 10, $C_L=100pF$ , S1 Closed		20	50	ns
Receiver Disable Time from High	$t_{RHZ}$	Figure 5 and 10, $C_L=100pF$ , S2 Closed		20	50	ns
Time to Shutdown	$t_{SHDN}$	(Note 4)	50	200	600	ns
Driver Enable from Shutdown to Output High	$t_{DZH(SHDN)}$	Figure 4 and 8, $C_L=15pF$ , S2 Closed			4500	ns
Driver Enable from Shutdown to Output Low	$t_{DZL(SHDN)}$	Figure 4 and 8, $C_L=15pF$ , S1 Closed			4500	ns
Receiver Enable from Shutdown to Output High	$t_{RZH(SHDN)}$	Figure 5 and 10, $C_L=100pF$ , S2 Closed			3500	ns
Receiver Enable from Shutdown to Output Low	$t_{RZL(SHDN)}$	Figure 5 and 10, $C_L=100pF$ , S1 Closed			3500	ns

Note 4: The device is put into shutdown by bringing  $\overline{RE}$  high and DE low. If the enable inputs are in this state for less than 50ns, the device is guaranteed not to enter shutdown. If the enable inputs are in this state for at least 600ns, the device is guaranteed to have entered shutdown.

**Switching Characteristics (UM3088E)**

( $V_{CC} = +5V \pm 5\%$ ,  $T_A = T_{MIN}$  to  $T_{MAX}$ , unless otherwise noted. Typical values are at  $V_{CC} = +5V$  and  $T_A = +25^\circ C$ .)

Parameter	Symbol	Test Conditions	Min	Typ	Max	Unit
Maximum Data Rate	$f_{MAX}$			2.5		Mbps
Driver Input-to-Output	$t_{DPLH}$	Figure 3 and 7, $R_{DIFF}=54\Omega$ , $C_{L1}=C_{L2}=100pF$		34	60	ns
	$t_{DPHL}$			34	60	
Driver Output Skew $ t_{DPLH} - t_{DPHL} $	$t_{DSKEW}$	Figure 3 and 7, $R_{DIFF}=54\Omega$ , $C_{L1}=C_{L2}=100pF$		2.5	10	ns
Driver Rise or Fall Time	$t_{DR}, t_{DF}$	Figure 3 and 7, $R_{DIFF}=54\Omega$ , $C_{L1}=C_{L2}=100pF$		14	25	ns
Driver Enable to Output High	$t_{DZH}$	Figure 4 and 8, $C_L=100pF$ , S2 Closed			150	ns
Driver Enable to Output Low	$t_{DZL}$	Figure 4 and 8, $C_L=100pF$ , S1 Closed			150	ns
Driver Disable Time from Low	$t_{DLZ}$	Figure 4 and 8, $C_L=15pF$ , S1 Closed			100	ns
Driver Disable Time from High	$t_{DHZ}$	Figure 4 and 8, $C_L=15pF$ , S2 Closed			100	ns
Receiver Input to Output	$t_{RPLH}, t_{RPHL}$	$ V_{ID}  \geq 2.0V$ , Rise and Fall Time of $V_{ID} \leq 15ns$		106	150	ns
Differential Receiver Skew $ t_{RPLH} - t_{RPHL} $	$t_{RSKD}$	Figure 6 and 9, $ V_{ID}  \geq 2.0V$ , Rise and Fall Time of $V_{ID} \leq 15ns$		0	10	ns
Receiver Enable to Output Low	$t_{RZL}$	Figure 5 and 10, $C_L=100pF$ , S1 Closed		20	50	ns
Receiver Enable to Output High	$t_{RZH}$	Figure 5 and 10, $C_L=100pF$ , S2 Closed		20	50	ns
Receiver Disable Time from Low	$t_{RLZ}$	Figure 5 and 10, $C_L=100pF$ , S1 Closed		20	50	ns
Receiver Disable Time from High	$t_{RHZ}$	Figure 5 and 10, $C_L=100pF$ , S2 Closed		20	50	ns
Time to Shutdown	$t_{SHDN}$	(Note 4)	50	200	600	ns
Driver Enable from Shutdown to Output High	$t_{DZH(SHDN)}$	Figure 4 and 8, $C_L=15pF$ , S2 Closed			250	ns
Driver Enable from Shutdown to Output Low	$t_{DZL(SHDN)}$	Figure 4 and 8, $C_L=15pF$ , S1 Closed			250	ns
Receiver Enable from Shutdown to Output High	$t_{RZH(SHDN)}$	Figure 5 and 10, $C_L=100pF$ , S2 Closed			3500	ns
Receiver Enable from Shutdown to Output Low	$t_{RZL(SHDN)}$	Figure 5 and 10, $C_L=100pF$ , S1 Closed			3500	ns

Note 4: The device is put into shutdown by bringing  $\overline{RE}$  high and DE low. If the enable inputs are in this state for less than 50ns, the device is guaranteed not to enter shutdown. If the enable inputs are in this state for at least 600ns, the device is guaranteed to have entered shutdown.

**RS-485 Communication Function Table**

Table1. Transmitting

INPUTS			OUTPUTS		MODE
$\overline{RE}$	DE	DI	B	A	
X	1	1	0	1	Normal
X	1	0	1	0	Normal
0	0	X	High-Z	High-Z	Normal
1	0	X	High-Z	High-Z	Shutdown

X=Don't care; High-Z=High Impedance

Table2. Receiving

INPUTS			OUTPUTS	MODE
$\overline{RE}$	DE	A, B	RO	
0	X	> -50mV	1	Normal
0	X	< -200mV	0	Normal
0	X	Inputs Open	1	Normal
1	0	X	High-Z	Shutdown

X=Don't care; High-Z=High Impedance

**Typical Operating Circuit**

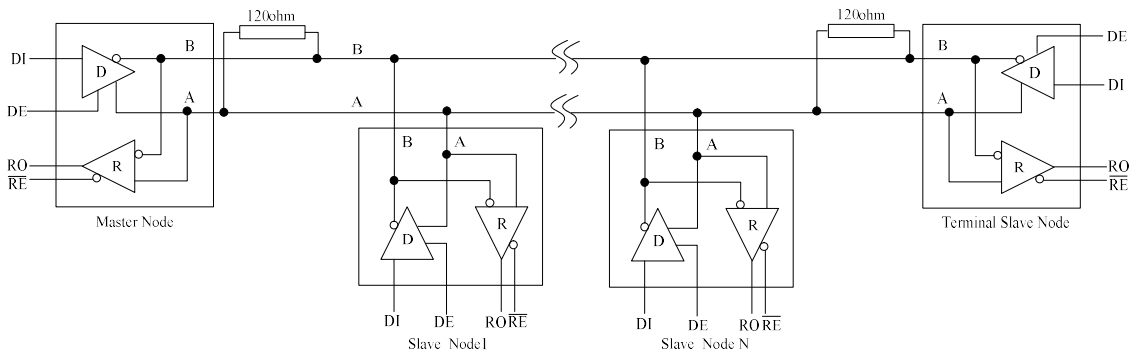


Figure 1. Typical Half-Duplex RS-485 Network



## Test Circuit

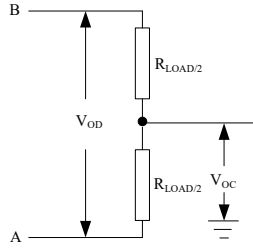


Figure 2. Driver DC Test Load

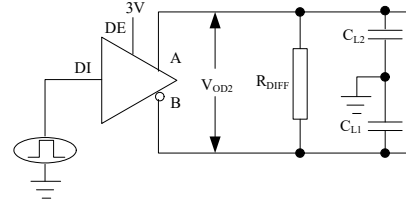


Figure 3. Driver Timing Test Circuit

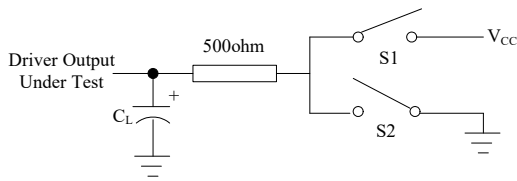


Figure 4. Driver Enable/Disable Timing Test Load

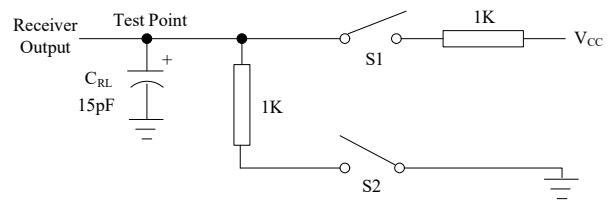


Figure 5. Receiver Enable/Disable Timing Test Load

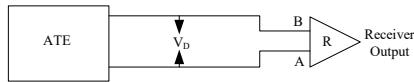


Figure 6. Receiver Propagation Delay Test Circuit

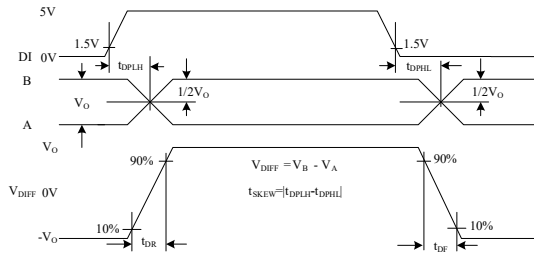


Figure 7. Driver Propagation Delays

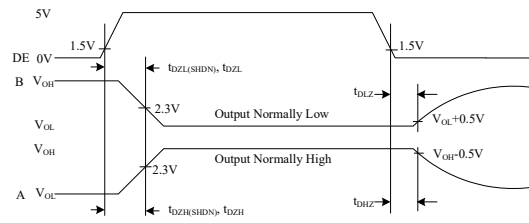


Figure 8. Driver Enable and Disable Times

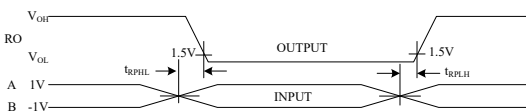


Figure 9. Receiver Propagation Delays

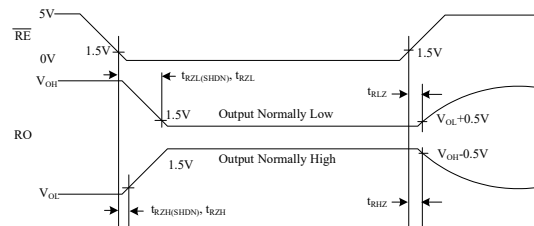


Figure 10. Receiver Enable and Disable Times

## Detail Description

The UM3085E, UM3088E high-speed transceivers for RS-485 communication contain one driver and one receiver. These devices feature fail-safe circuitry, which guarantees a logic-high receiver output when the receiver inputs are open or shorted, or when they are connected to a terminated transmission line with all drivers disabled. The UM3085E features reduced slew-rate driver that minimizes EMI and reduces reflections caused by improperly terminated cables, allowing error-free data transmission up to 500kbps. While partially slew-rate limited UM3088E speeds up to 2.5Mbps.

All of the parts operate from a single +5V supply. Drivers are output short-circuit current limited. Thermal shutdown circuitry protects drivers against excessive power dissipation. When activated, the thermal shutdown circuitry places the driver outputs into a high impedance state.

### Fail-Safe

The UM3085E, UM3088E guarantees a logic-high receiver output when the receiver inputs are shorted or open, or when they are connected to a terminated transmission line with all drivers disabled. This is done by setting the receiver threshold between -50mV and -200mV. If the differential receiver input voltage (A-B) is greater than or equal to -50mV, RO is logic high. If A-B is less than or equal to -200mV, RO is logic low. In the case of a terminated bus with all transmitters disabled, the receiver's differential input voltage is pulled to 0V by the termination. With the receiver thresholds of the UM3085E, UM3088E, this results in a logic high with a 50mV minimum noise margin. Unlike previous fail-safe devices, the -50mV to -200mV threshold complies with the  $\pm 200\text{mV}$  EIA/TIA-485 standard.

### $\pm 15\text{kV}$ ESD Protection

As with all Union devices, ESD-protection structures are incorporated on all pins to protect against electrostatic discharges encountered during handling and assembly. The driver outputs and receiver inputs of the UM3085E, UM3088E have extra protection against static electricity. Union's engineers have developed state-of-the-art structures to protect these pins against ESD of  $\pm 15\text{kV}$  without damage. The ESD-protected pins are tested with reference to the ground pin in a powered-down condition. They are tested to  $\pm 15\text{kV}$  using the Human Body Model.

## Applications Information

### 256 Transceivers on the Bus

The standard RS-485 receiver input impedance is  $12\text{k}\Omega$  (one unit load), and the standard driver can drive up to 32 unit loads. The Union family of transceivers have a  $1/8$  unit load receiver input impedance ( $96\text{k}\Omega$ ), allowing up to 256 transceivers to be connected in parallel on one communication line. Any combination of these devices and/or other RS-485 transceivers with a total of 32 unit loads or less can be connected to the line.

### Reduced EMI and Reflections

The UM3085E is slew-rate limited, minimizing EMI and reducing reflections caused by improperly terminated cables. In general, a transmitter's rise time relates directly to the length of an unterminated stub, which can be driven with only minor waveform reflections. The following equation expresses this relationship conservatively:

$$\text{Length} = t_{\text{RISE}} / (10 \times 1.5\text{ns/ft})$$

Where  $t_{\text{RISE}}$  is the transmitter's rise time.

A system can work well with longer unterminated stubs, even with severe reflections, if the waveform settles out before the UART samples them.

**Low-Power Shutdown Mode**

Low-power shutdown mode is initiated by bringing both  $\overline{RE}$  high and DE low. In shutdown, the device typically draws only 2nA of supply current.  $\overline{RE}$  and DE may be driven simultaneously; the parts are guaranteed not to enter shutdown if  $\overline{RE}$  is high and DE is low for less than 50ns. If the inputs are in this state for at least 600ns, the parts are guaranteed to enter shutdown. Enable times  $t_{ZH}$  and  $t_{ZL}$  in the Switching Characteristics tables assume the part was not in a low-power shutdown state. Enable times  $t_{ZH(SHDN)}$  and  $t_{ZL(SHDN)}$  assume the parts were shut down. It takes drivers and receivers longer to become enabled from low-power shutdown mode ( $t_{ZH(SHDN)}$ ,  $t_{ZL(SHDN)}$ ) than from driver/receiver-disable mode ( $t_{ZH}$ ,  $t_{ZL}$ ).

**Driver Output Protection**

Two mechanisms prevent excessive output current and power dissipation caused by faults or by bus contention. The first, a foldback current limit on the output stage, provides immediate protection against short circuits over the whole common-mode voltage range. The second, a thermal shutdown circuit, forces the driver outputs into a high-impedance state if the die temperature becomes excessive.

**Line Length vs. Data Rate**

The RS-485/RS-422 standard covers line lengths up to 4000 feet. For line lengths greater than 4000 feet, repeater is required.

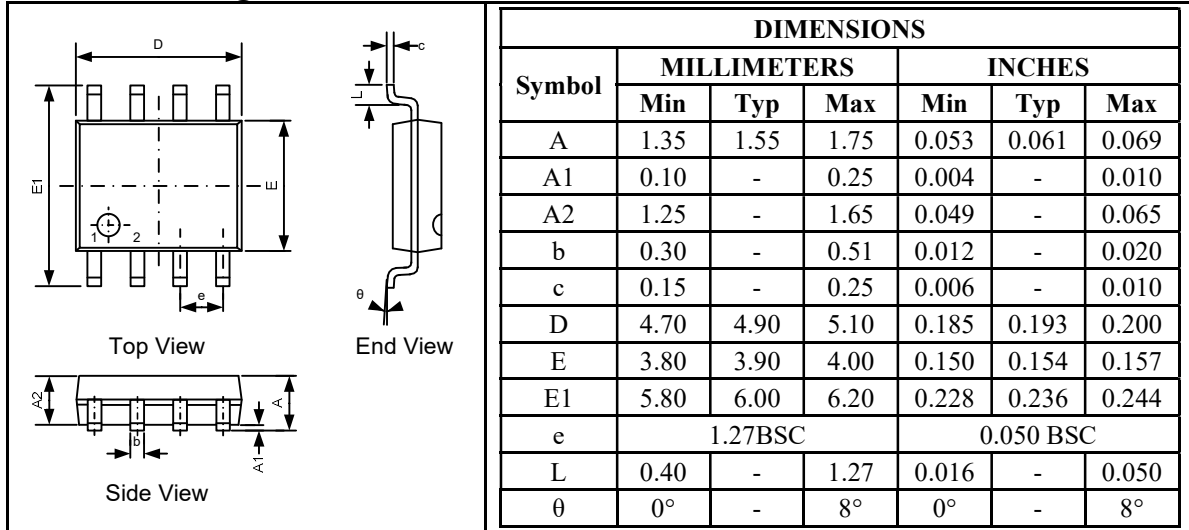
**Typical Applications**

The UM3085E, UM3088E transceivers are designed for bidirectional data communications on multipoint bus transmission lines. To minimize reflections, the line should be terminated at both ends in its characteristic impedance, and stub lengths off the main line should be kept as short as possible.

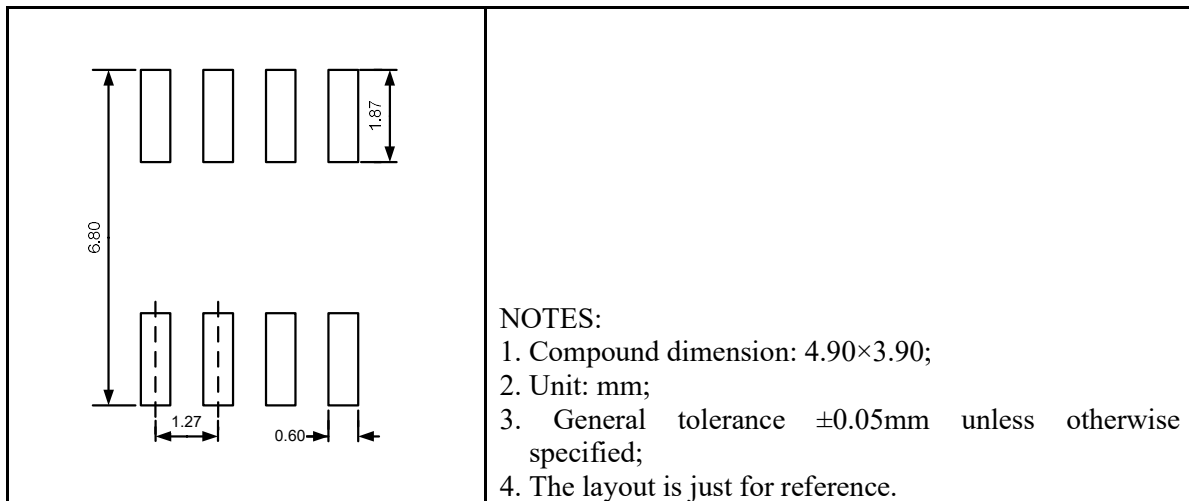
## Package Information

### UM3085EESA/UM3088EESA SOP8

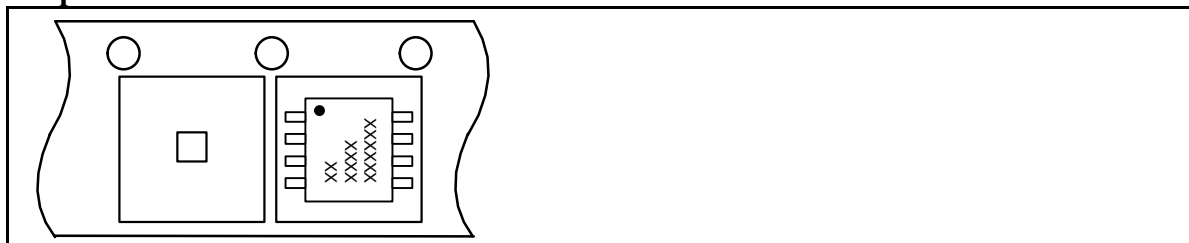
#### Outline Drawing



#### Land Pattern

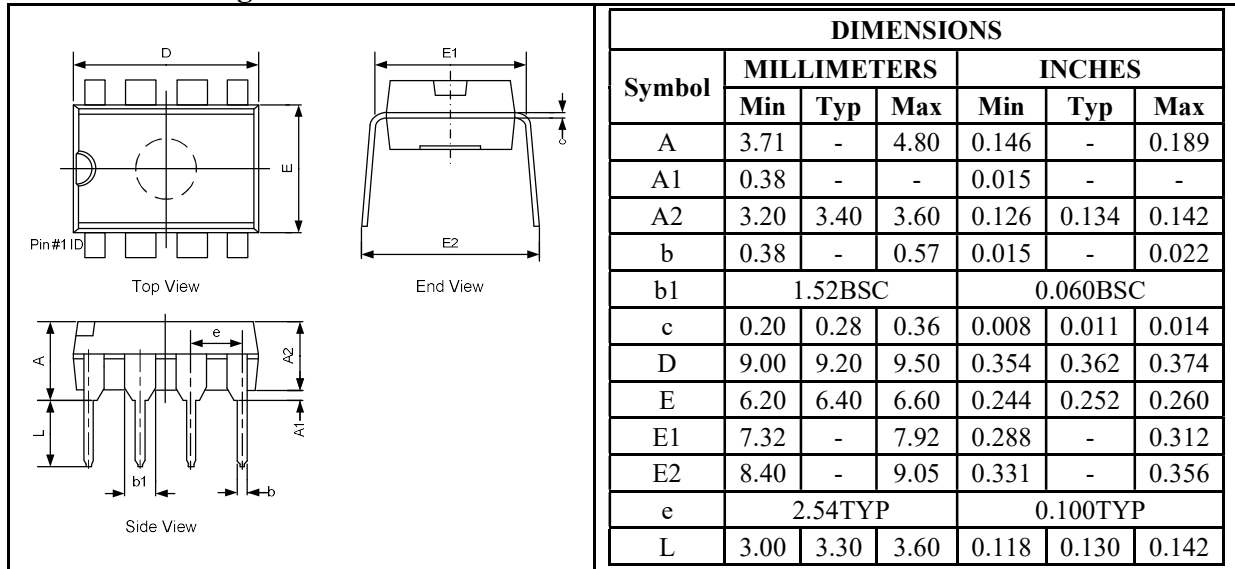


#### Tape and Reel Orientation



## UM3085EPA/UM3088EPA DIP8

### Outline Drawing



---

## **GREEN COMPLIANCE**

Union Semiconductor is committed to environmental excellence in all aspects of its operations including meeting or exceeding regulatory requirements with respect to the use of hazardous substances. Numerous successful programs have been implemented to reduce the use of hazardous substances and/or emissions.

All Union components are compliant with the RoHS directive, which helps to support customers in their compliance with environmental directives. For more green compliance information, please visit:

[http://www.union-ic.com/index.aspx?cat\\_code=RoHSDeclaration](http://www.union-ic.com/index.aspx?cat_code=RoHSDeclaration)

## **IMPORTANT NOTICE**

The information in this document has been carefully reviewed and is believed to be accurate. Nonetheless, this document is subject to change without notice. Union assumes no responsibility for any inaccuracies that may be contained in this document, and makes no commitment to update or to keep current the contained information, or to notify a person or organization of any update. Union reserves the right to make changes, at any time, in order to improve reliability, function or design and to attempt to supply the best product possible.