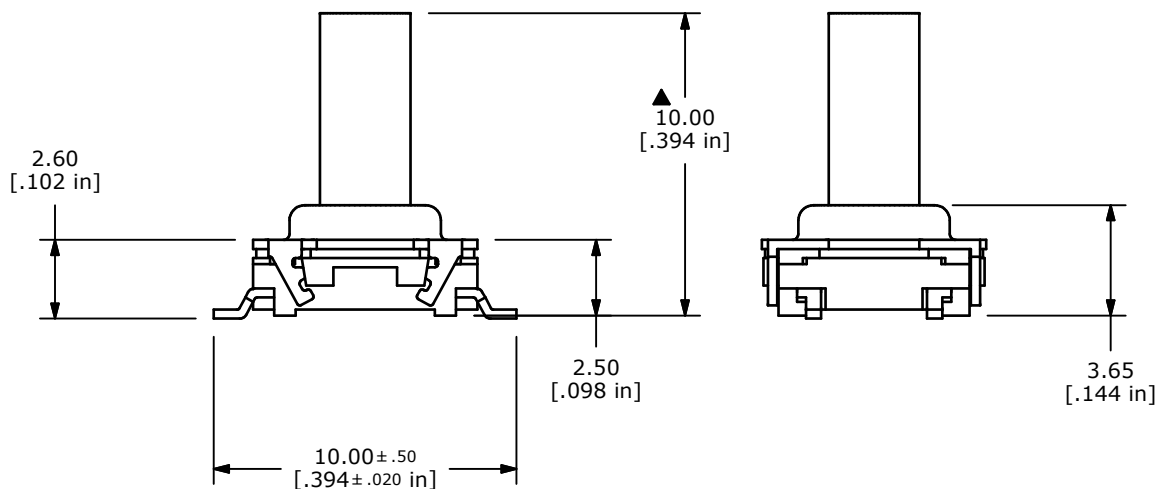


▲ **CIRCUIT: SPST**

NOTES

1. ALL DIMENSIONS IN MM [INCH]
2. GENERAL TOLERANCE: X.X=± 0.4
X.XX=± 0.25
3. TERMINAL NUMBERS FOR REF. ONLY.
- ▲ 4. OPERATING FORCE: 300 ± 50gf
5. OPERATING LIFE: 500,000 CYCLES
6. TRAVEL: 0.5 ± 0.15mm
7. CONTACT RATING: 12VDC @ 50mA
8. CONTACT RESISTANCE: 100mΩ MAX
9. INSULATION RESISTANCE: 100MΩ MIN @ 100VDC.
- ▲ 10. CONTACT MATERIAL: SILVER
11. OPERATING TEMPERATURE: -40°C TO 85°C
12. PACKAGING: TAPE & REEL, 350 PCS. PER REEL B
13. ▲ DENOTES CRITICAL PARAMETER
14. 2002/95/EC (ROHS) COMPLIANT



B	21325	REEL QTY WAS 400	12/11/13	EBP
A	21188	New Release	8/01/13	rc
REV	PCR NO	DESCRIPTION	DATE	BY

E-SWITCH®				
TITLE TL6120DF300QG				
SCALE	DATE	DR	DWG	REV
	5/31/2013	rc	T351506	B

THE INFORMATION CONTAINED IN THIS DOCUMENT IS PROPRIETARY TO E-SWITCH AND IS NOT TO BE COPIED OR TRANSFERRED