



Obsolescence of Tube Pack Option for Commercial High Voltage Power Mosfets Assembled in SOT-223

DESCRIPTION OF CHANGE: Vishay Siliconix announces the end of life of several commercial High Voltage Power MOSFET SOT-223 products that use tube pack option. For each device listed, the equivalent tape and reel part number is provided.

Appendix 1 contains the dimensions of the Reel and Tape along with the device orientation in the tape.

CLASSIFICATION OF CHANGE: Product Obsolescence

REASON FOR CHANGE: Obsolescence of Tube Pack Option.

EXPECTED INFLUENCE ON QUALITY/RELIABILITY/PERFORMANCE: None

PRODUCT CATEGORY: High Voltage MOSFET only

PART NUMBERS/SERIES/FAMILIES AFFECTED: Refer to list of part numbers included with this PCN on page 2 and page 3.

VISHAY BRAND(s): Vishay-Siliconix

TIME SCHEDULE: Last time buy orders must be received by January 5, 2016, Last Time Shipments must be completed by July 2, 2016. All Last Time Buy orders are NCNR (No Cancellations/No Returns).

SAMPLE AVAILABILITY: N/A

QUALIFICATION DATA: N/A.

This PCN is considered approved, without further notification, unless we receive specific customer concerns before January 5, 2016 or as specified by contract.

ISSUED BY: Don Larson, Vishay Siliconix, Technical Marketing Manager
E-mail address: Don.Larson@Vishay.com

For further information, please contact your regional Vishay office.

The Americas
Vishay Americas
2201 Laurelwood Road
Santa Clara, Ca 95054
T: 408-988-8000
F: 408-567-8500

Europe
Vishay Electronic GmbH
Dr.-Felix-Zandman-Platz 1
D-95100
Selb, Germany
T: 49-9287-71 -0
F: 49-9287-70435

Asia
Vishay Intertechnology Asia Pte. Ltd
37A Tampines Street 92
#07-00 Keppel Building
Singapore 528886
T: 65-6788-6668
F: 65-6788-0988



PCN-0272015 Parts List

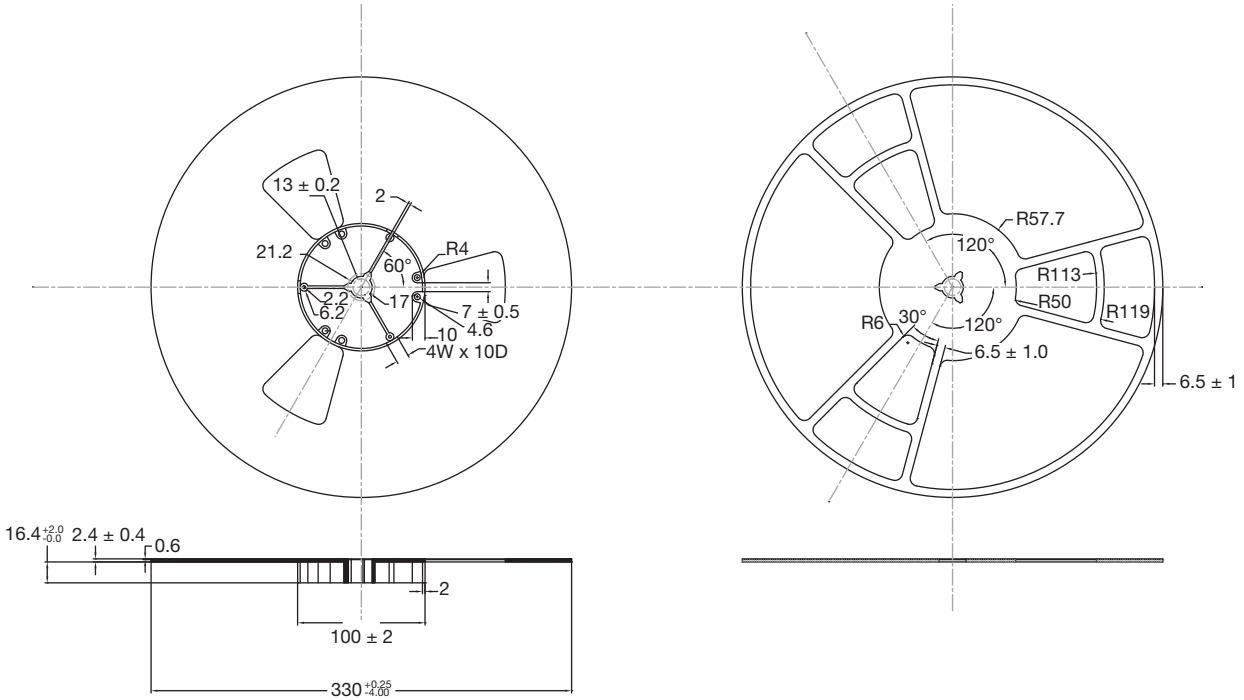
Part Number	Recommended Replacement
IRFL014PBF	IRFL014TRPBF
IRFL110PBF	IRFL110TRPBF
IRFL210PBF	IRFL210TRPBF
IRFL214PBF	IRFL214TRPBF
IRFL9014PBF	IRFL9014TRPBF
IRFL9110PBF	IRFL9110TRPBF
IRLL014PBF	IRLL014TRPBF
IRLL110PBF	IRLL110TRPBF



Appendix 1

- SOT-223 Reel Dimensions
- SOT-223 Tape Dimensions
- SOT-223 Device Orientation

REEL FOR SOT223



Notes

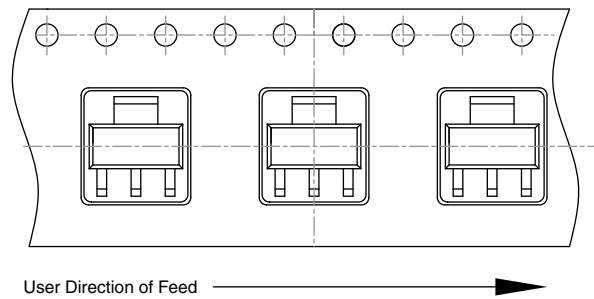
1. Material: Polystyrene (red).
2. Antistatic cotated.
3. Flange warpage: 3 mm maximum.
4. All dimensions are in mm.
5. ESD-surface resistivity - 10^5 to $10^{12} \Omega/\text{sq}$.
6. General tolerance: ± 0.25 unless otherwise specified.
7. Total thickness of reel: 22.4 max.
8. Quantity per reel is 2,500 pcs.
9. Minimum order quantity 2,500 pcs

ECN: X10-0299-Rev. A, 23-Aug-10
 DWG: 93-5280-X



TR Device Orientation for SOT-223

DEVICE ORIENTATION	
PACKAGE	METHOD
SOT-223	TR



Revision control of this drawing is maintained through Document Control, Pack Specification 0007-31.