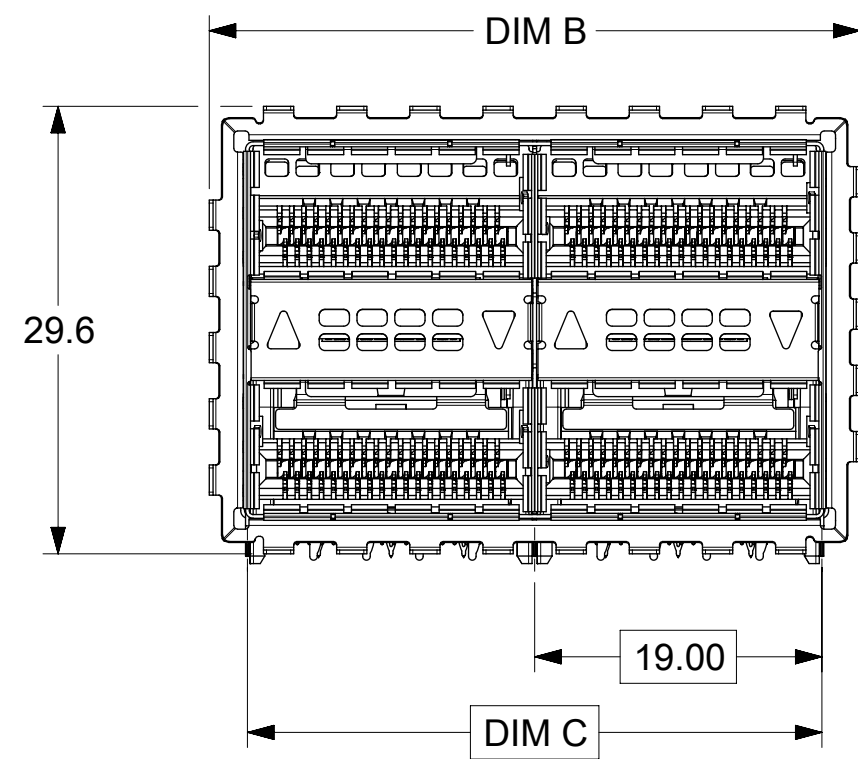
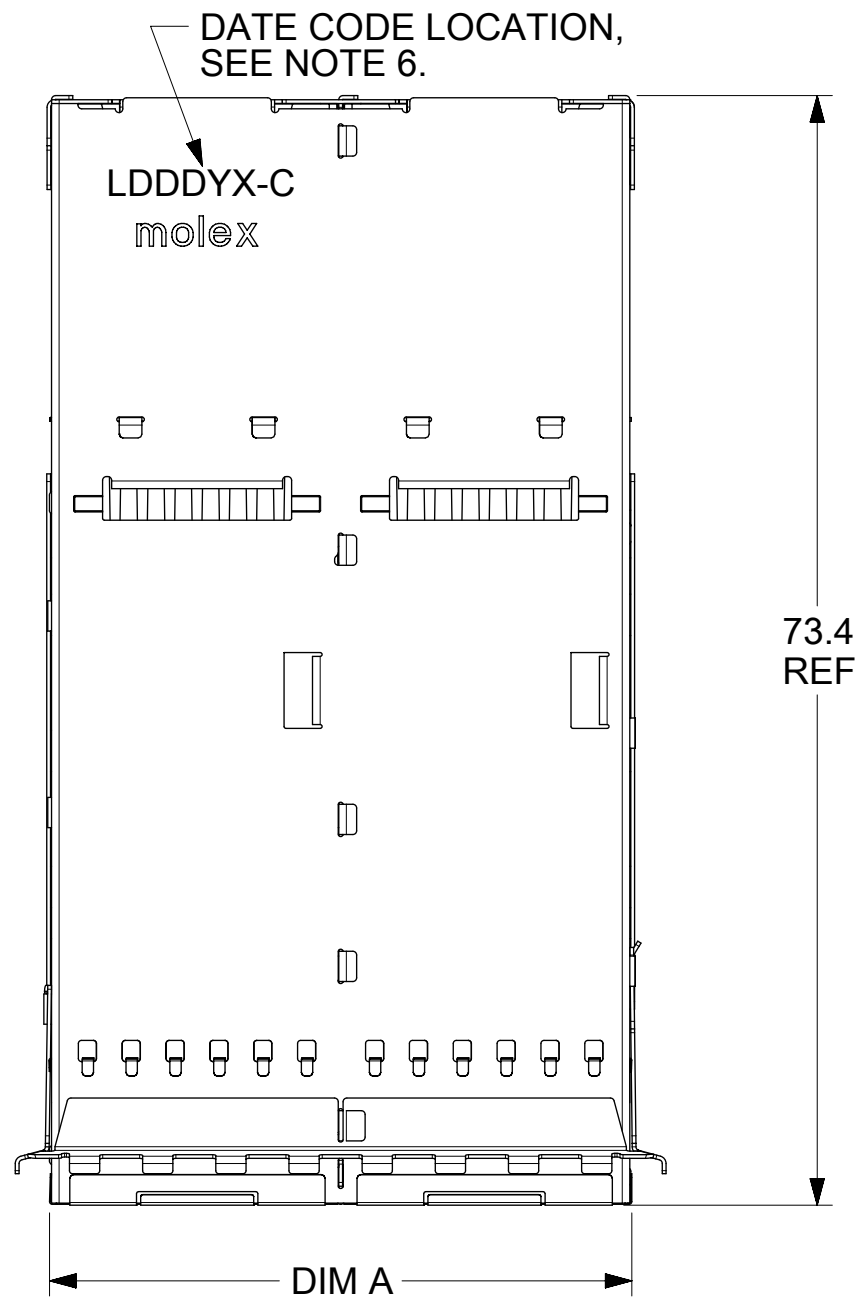


1715657202 SHOWN

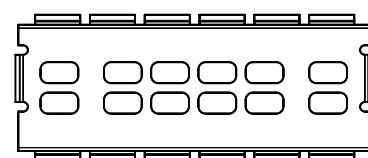
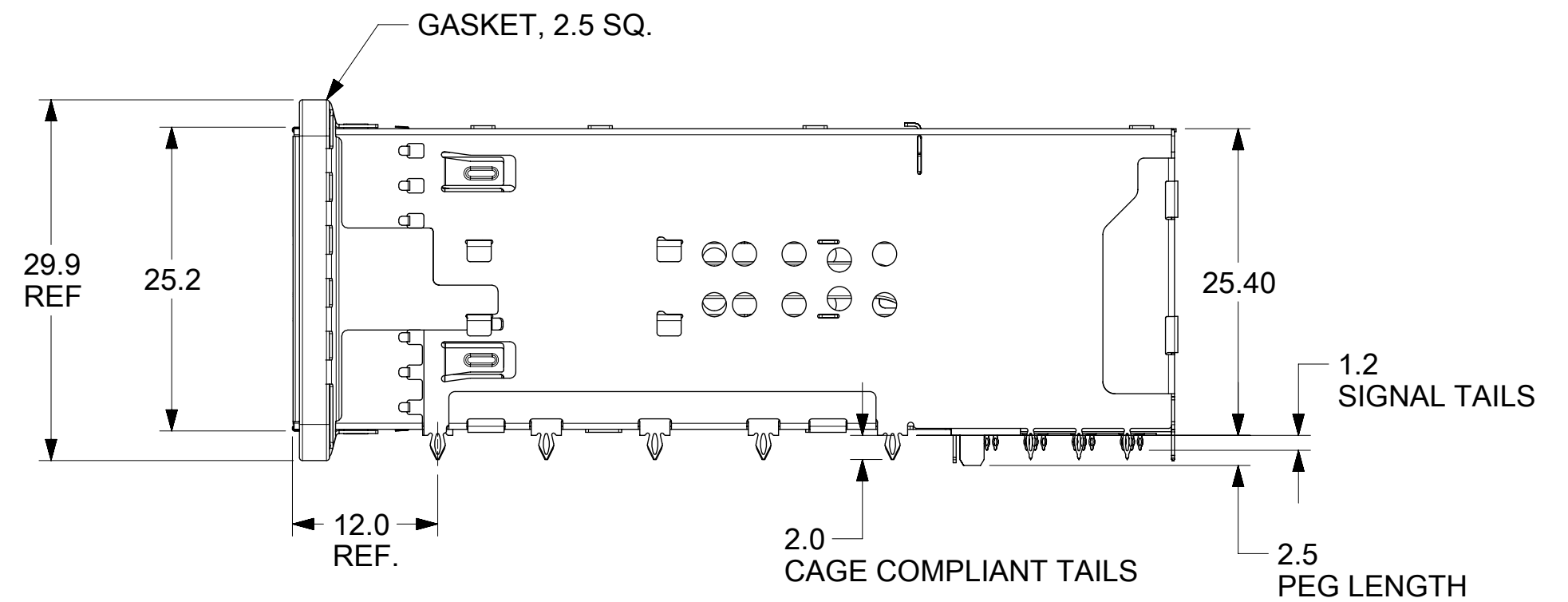


PORT SIZE	PART NUMBER	DIM 'A'	DIM 'B'	DIM 'C'
2X1	171565-710*	19.5	24.1	19.00
2X2	171565-720*	38.5	43.1	38.00
2X3	171565-730*	57.5	62.1	57.00

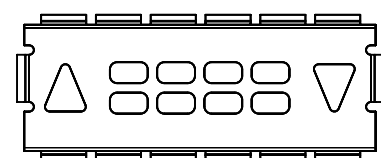
\* - DESIGNATES FRONT PLATE OPTIONS

NOTES:

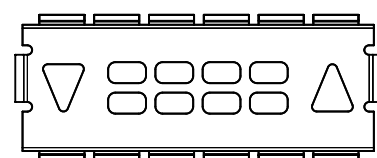
- MATERIAL:**  
 CAGE: NICKEL SILVER, 0.25 THICK  
 EMI STRAPS: COPPER ALLOY, 0.08 THICK  
 GASKET: SILICONE  
 LIGHT PIPES (OPTIONAL): POLYCARBONATE  
 (PER TELCORDIA-GR-63-CORE-ISSUE3, SECTION 4.2.3.1; R4-43, DISCRETE STRUCTURAL COMPONENTS CONSTITUTING A FUEL LOAD OF 1 GRAM OR LESS ARE EXEMPT FROM THE REQUIREMENTS OF R4-43 (91); UL 94V-0 RATING)  
 CONNECTOR HOUSING: HIGH PERFORMANCE THERMOPLASTIC, 94V-0  
 TERMINALS: HIGH PERFORMANCE COPPER ALLOY, 0.18 THICK
- FINISH:**  
 SPRING FINGERS: 0.5µm NICKEL OVERALL  
 GASKET: SILVER  
 TERMINALS: CONTACT AREA: 0.76µm MIN GOLD OVER 2.5µm MIN NICKEL.  
 COMPLIANT AREA: 0.76-1.52µm MATTE TIN OVER 1.27µm MIN NICKEL.
- ALL SURFACES TO BE CLASS 'C' OR BETTER PER MOLEX COSMETIC SPECIFICATION PS-45499-002.
- REFER TO PK-171565-0001 FOR PACKAGING SPECIFICATIONS.
- CONNECTOR INTENDED TO MATE WITH PLUG CABLE SERIES 74757 AND 74758.
- DATE CODE LOCATION SHOWN, DATE CODE FORMAT: LDDDYX-C  
 L: MOLEX INTERNAL CONTROL  
 DDD: DAY OF THE YEAR  
 Y: LAST DIGIT OF YEAR  
 X: MOLEX INTERNAL CONTROL  
 C: SUB-MODULE PER CUSTOMER'S REQUEST



P/N 171565-01  
AIRFLOW ONLY  
NO LIGHTPIPE



P/N 171565-02  
UP / DOWN LIGHTPIPE  
INDICATOR

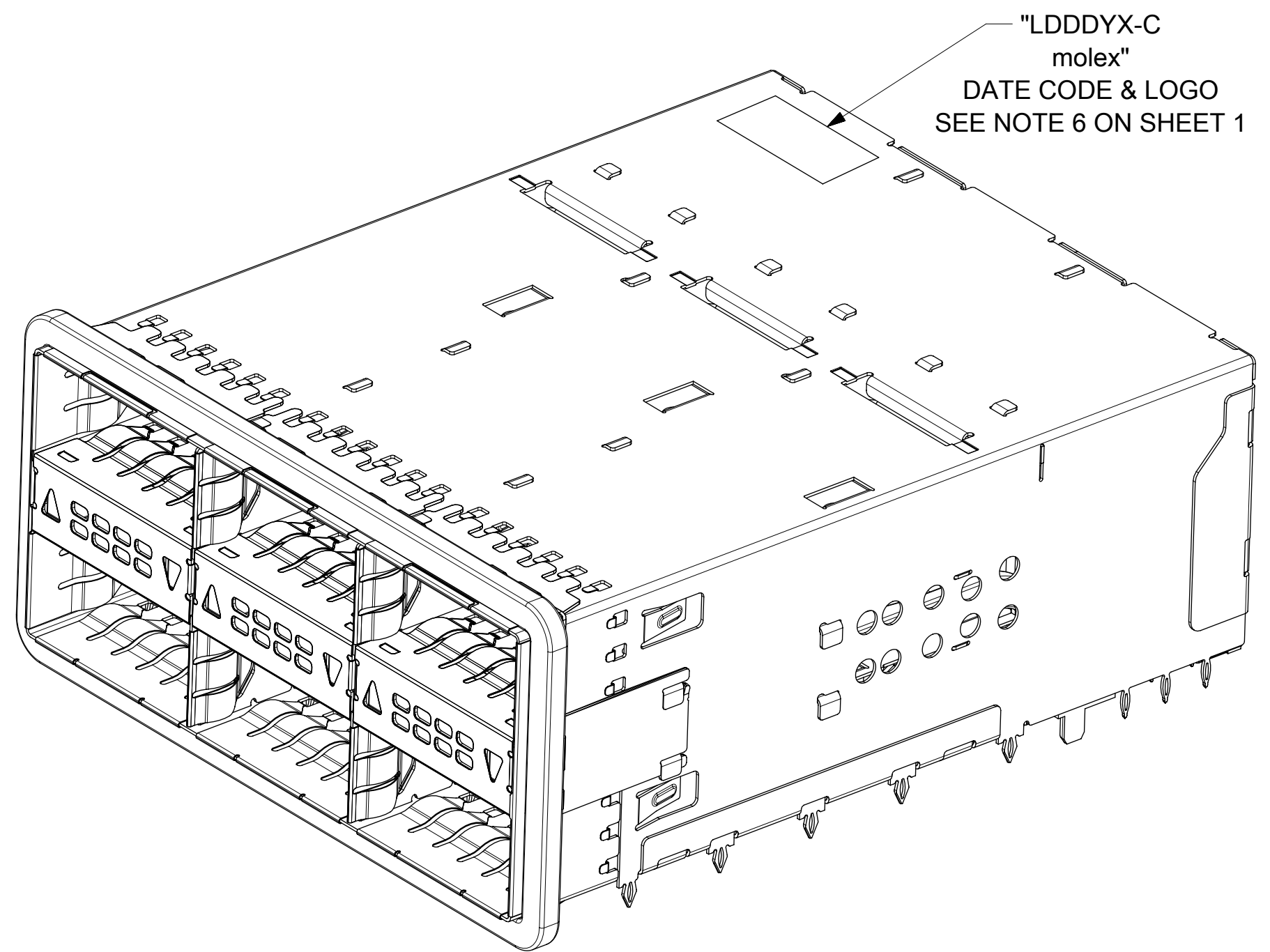
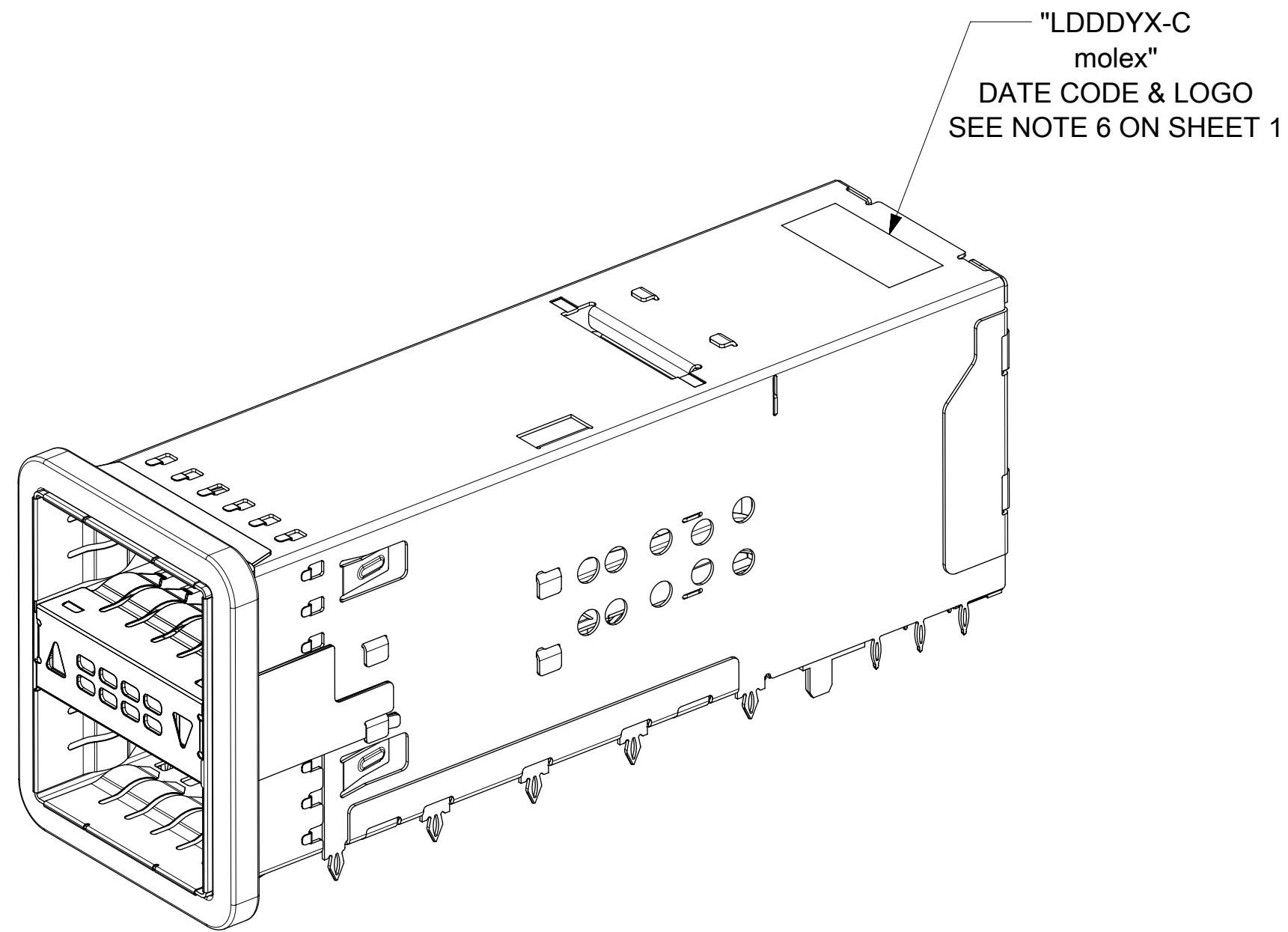



P/N 171565-03  
DOWN / UP LIGHTPIPE  
INDICATOR

FUNCTIONAL SYMBOLS $\frac{F}{A} = 0$ $\frac{F}{C} = 0$ $\frac{F}{P} = 0$ DIVISIONAL SYMBOLS	THIS DRAWING CONTAINS INFORMATION THAT IS PROPRIETARY TO MOLEX ELECTRONIC TECHNOLOGIES, LLC AND SHOULD NOT BE USED WITHOUT WRITTEN PERMISSION		CURRENT REV DESC: SEE REVISION HISTORY			
	DIMENSION UNITS: <b>mm</b> SCALE: <b>2:1</b>		GENERAL TOLERANCES (UNLESS SPECIFIED)			EC NO: 728470 DRWN: SYANG16 2022/11/14 CHK'D: BARWANKAR 2022/11/15 APPR: BARWANKAR 2022/11/15
	4 PLACES ±     ± 3 PLACES ±     ± 2 PLACES ± 0.13 ± 1 PLACE ± 0.25 ± 0 PLACES ±     ± ANGULAR TOL ± 0.5 °		PRODUCT CUSTOMER DRAWING DOCUMENT NUMBER: <b>1715657000</b> DOC TYPE: PSD    DOC PART: ASY    REVISION: A			
	DRAFT WHERE APPLICABLE MUST REMAIN WITHIN DIMENSIONS		THIRD ANGLE PROJECTION	DRAWING: C-SIZE		SERIES: 171565

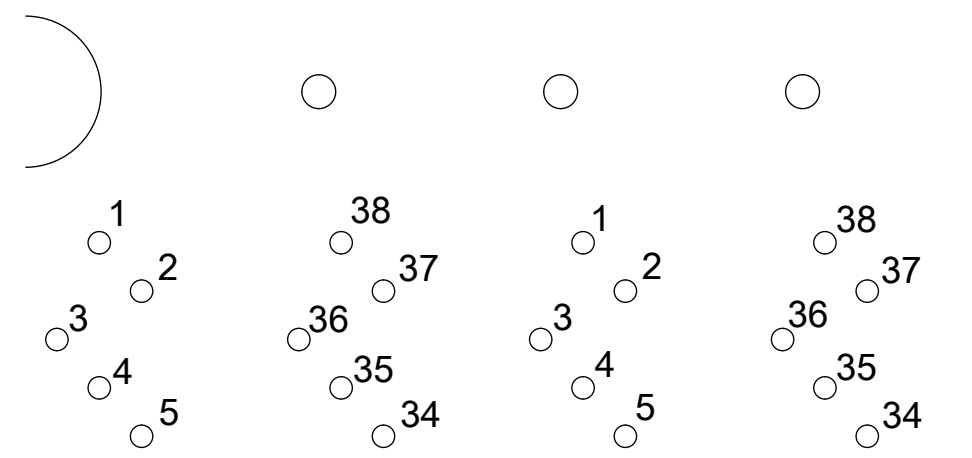
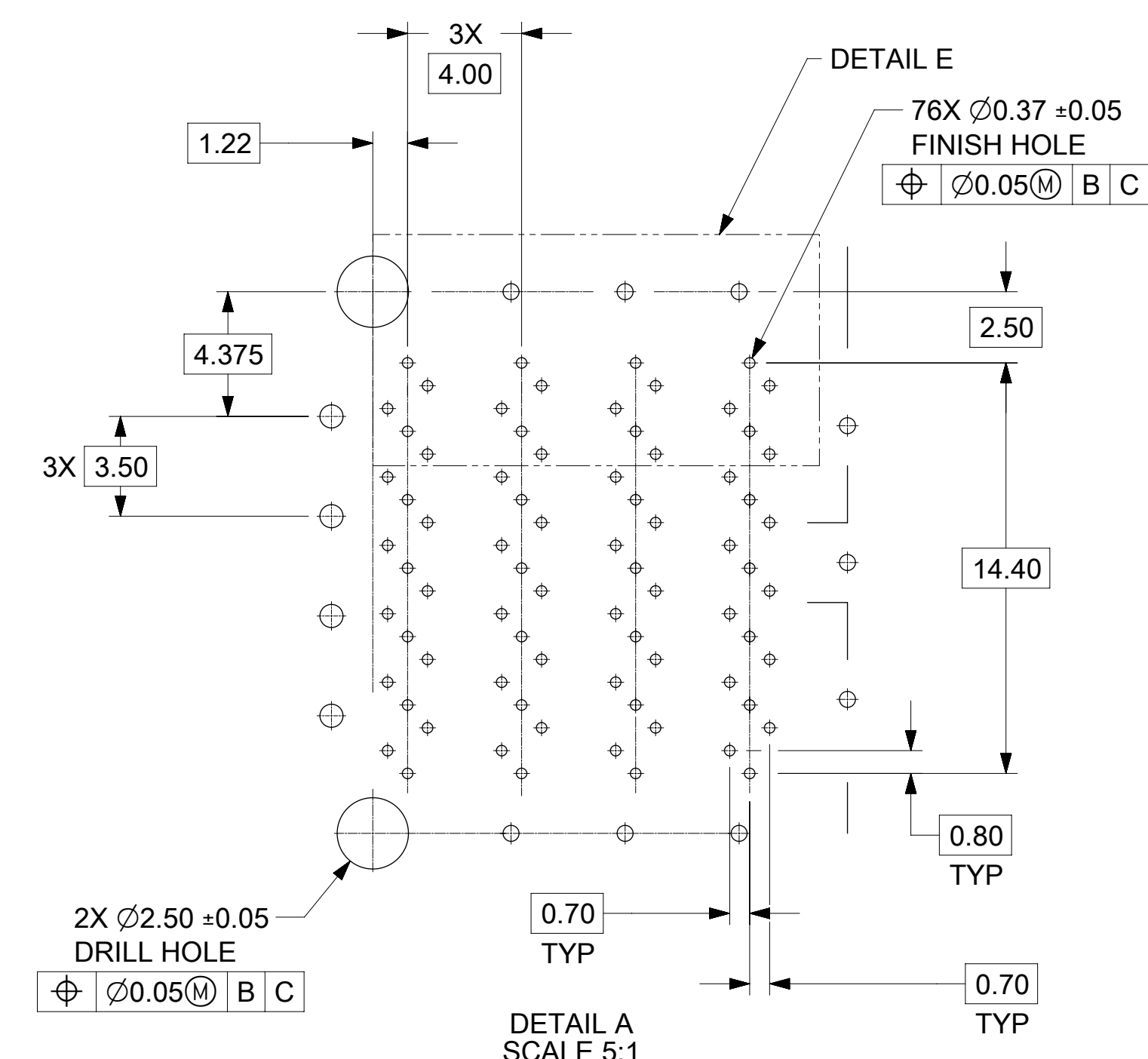
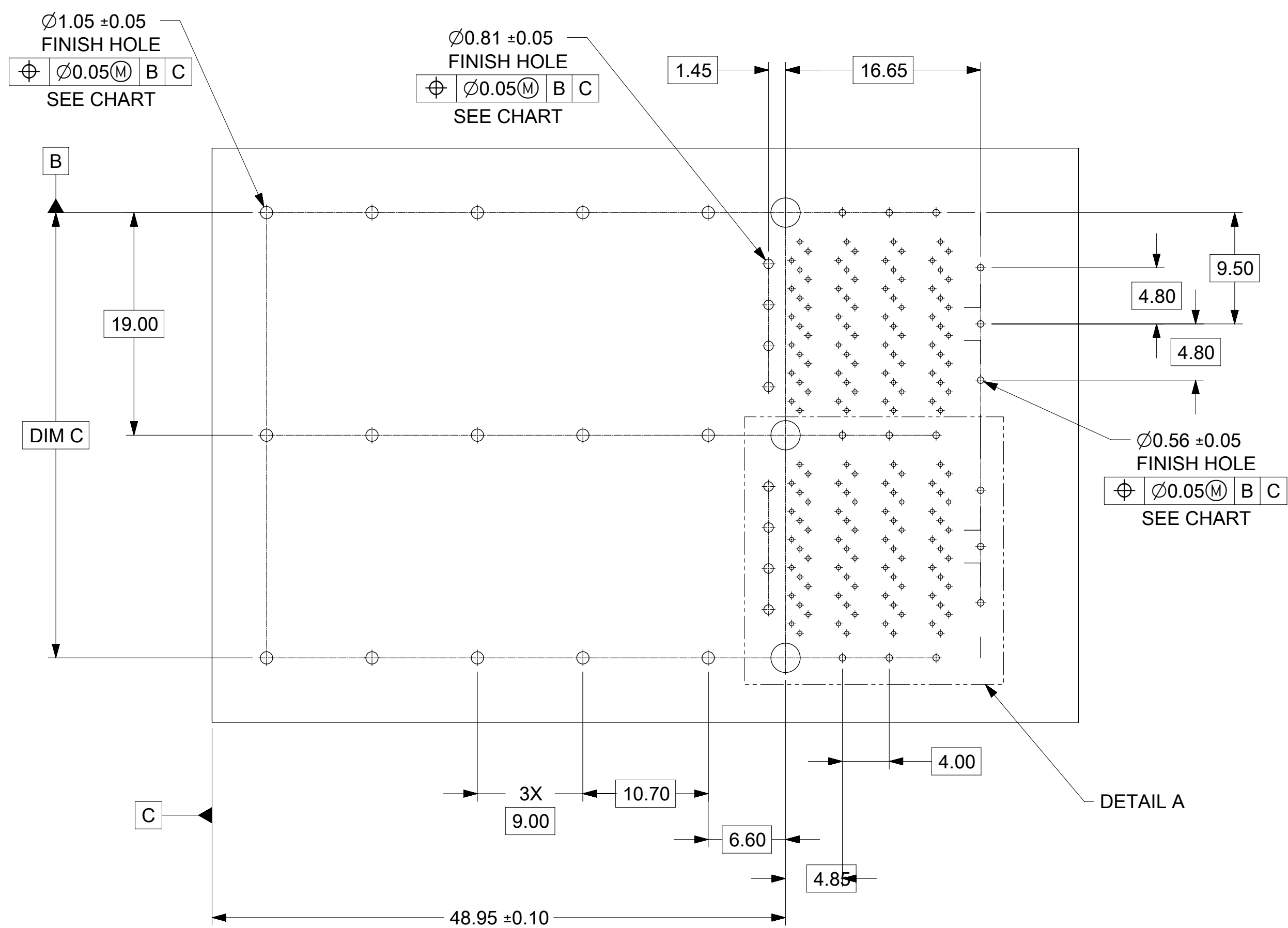
1715657102 SHOWN

1715657302 SHOWN



FUNCTIONAL SYMBOLS	THIS DRAWING CONTAINS INFORMATION THAT IS PROPRIETARY TO MOLEX ELECTRONIC TECHNOLOGIES, LLC AND SHOULD NOT BE USED WITHOUT WRITTEN PERMISSION																	
	DIMENSION UNITS		SCALE		CURRENT REV DESC: SEE REVISION HISTORY													
$\frac{F}{A} = 0$	mm		2.5:1		EC NO: 728470 DRWN: SYANG16 CHK'D: BARWANKAR APPR: BARWANKAR								ZQSFP+ STACKED ASSY W/ELASTOMERIC GASKET					
$\frac{F}{C} = 0$	GENERAL TOLERANCES (UNLESS SPECIFIED)										2022/11/14				2022/11/15		2022/11/15	
DIVISIONAL SYMBOLS	4 PLACES		±	±	INITIAL REVISION: DRWN: DRAWN BY APPR: APPR BY						DOCUMENT NUMBER <b>1715657000</b>		DOC TYPE PSD		DOC PART ASY		REVISION A	
	3 PLACES		±	±														
	2 PLACES		± 0.13	±														
	1 PLACE		± 0.25	±														
0 PLACES		±	±	0099/99/99		0099/99/99		MATERIAL NUMBER		CUSTOMER		SHEET NUMBER						
ANGULAR TOL ± 0.5 °				THIRD ANGLE PROJECTION		DRAWING		SERIES		SEE P/N TABLE		CISCO		2 OF 5				
DRAFT WHERE APPLICABLE MUST REMAIN WITHIN DIMENSIONS										C-SIZE		171565						

DOCUMENT STATUS	P1	RELEASE DATE	2022/11/15	09:38:04
-----------------	----	--------------	------------	----------



LOWER PORT  
UPPER PORT  
DETAIL E  
SCALE 8:1  
PIN ASSIGNMENTS

PORT SIZE	DIM C	Ø1.05 PTH QUANTITY	Ø0.56 PTH QUANTITY	Ø0.81 PTH QUANTITY
2X1	19.00	10	9	4
2X2	38.00	15	15	8
2X3	57.00	20	21	12

FUNCTIONAL SYMBOLS FA = 0 FC = 0 FP = 0	THIS DRAWING CONTAINS INFORMATION THAT IS PROPRIETARY TO MOLEX ELECTRONIC TECHNOLOGIES, LLC AND SHOULD NOT BE USED WITHOUT WRITTEN PERMISSION										
	DIMENSION UNITS		SCALE		CURRENT REV DESC: SEE REVISION HISTORY						
	mm		3:1		<p>EC NO: 728470            DRWN: SYANG16            CHK'D: BARWANKAR            APPR: BARWANKAR</p> <p>2022/11/14            2022/11/15            2022/11/15</p>						
	GENERAL TOLERANCES (UNLESS SPECIFIED)										
DIVISIONAL SYMBOLS	4 PLACES ±		MM		INCH		INITIAL REVISION:				
	3 PLACES ±						DRWN: JKACHLIC				
	2 PLACES ± 0.13						2012/08/23				
	1 PLACE ± 0.25						APPR: MBANAKIS				
0 PLACES ±						ANGULAR TOL ± 0.5°		THIRD ANGLE PROJECTION		DRAWING SERIES	
DRAFT WHERE APPLICABLE MUST REMAIN WITHIN DIMENSIONS						C-SIZE		171565		MATERIAL NUMBER CUSTOMER SHEET NUMBER	
						SEE P/N TABLE		CISCO		3 OF 5	

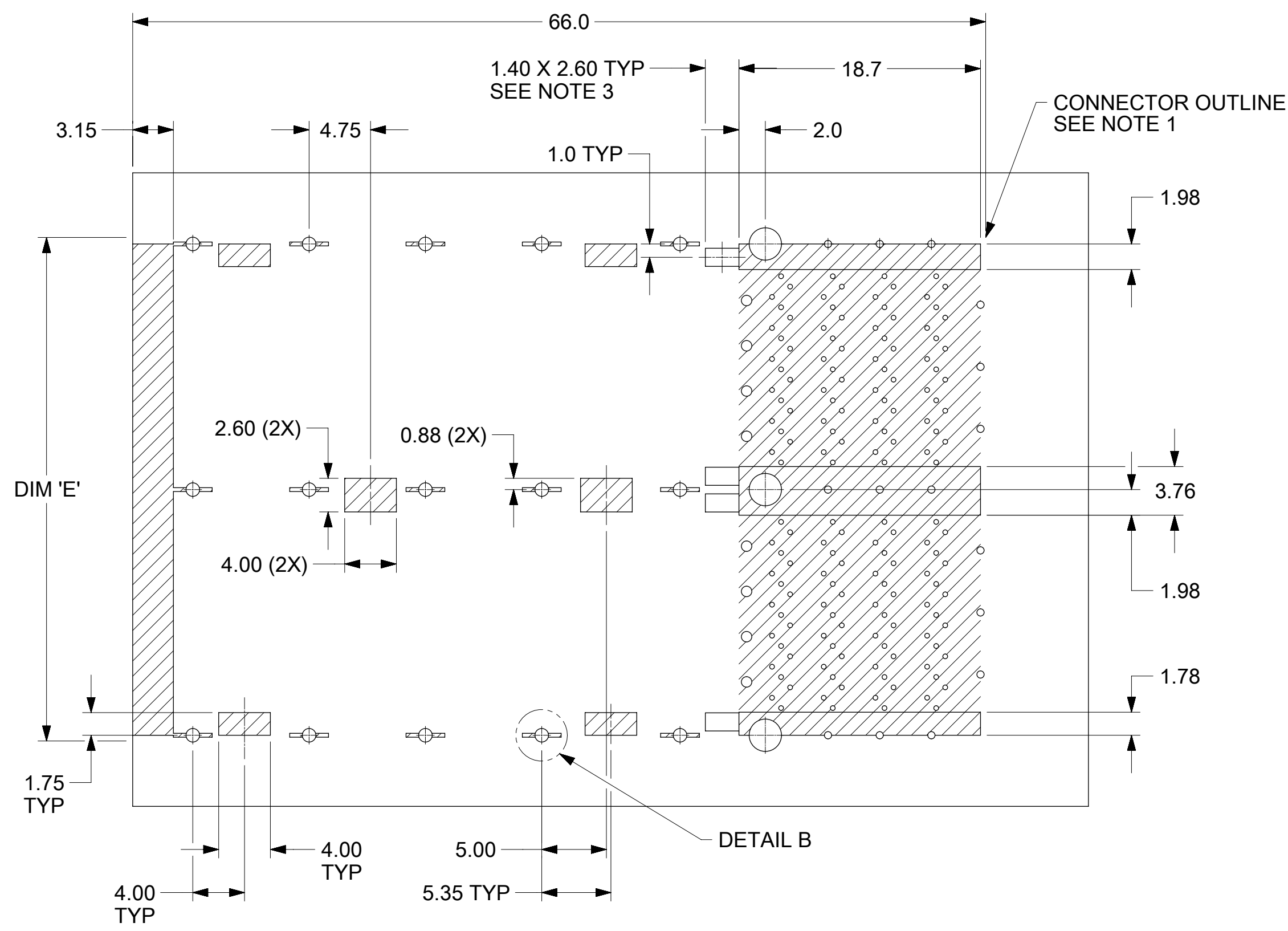
**molex**

ZQSFP+ STACKED ASSY  
W/ELASTOMERIC GASKET

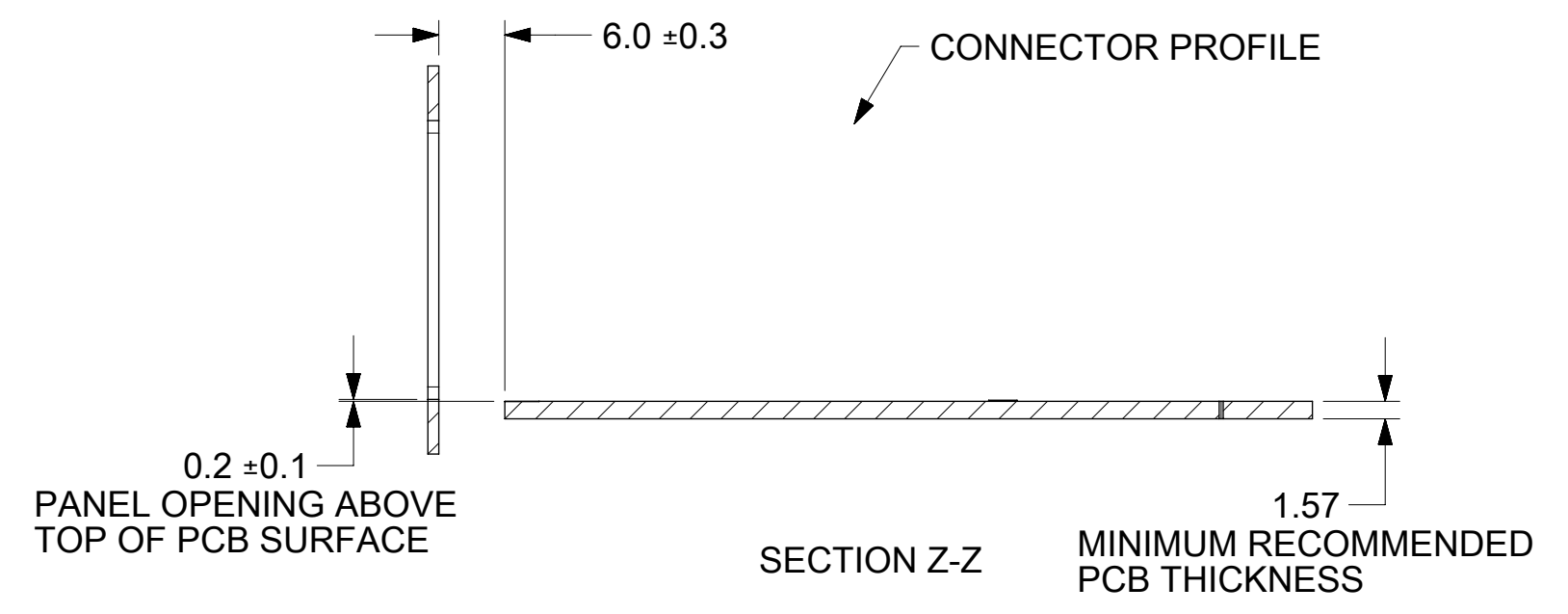
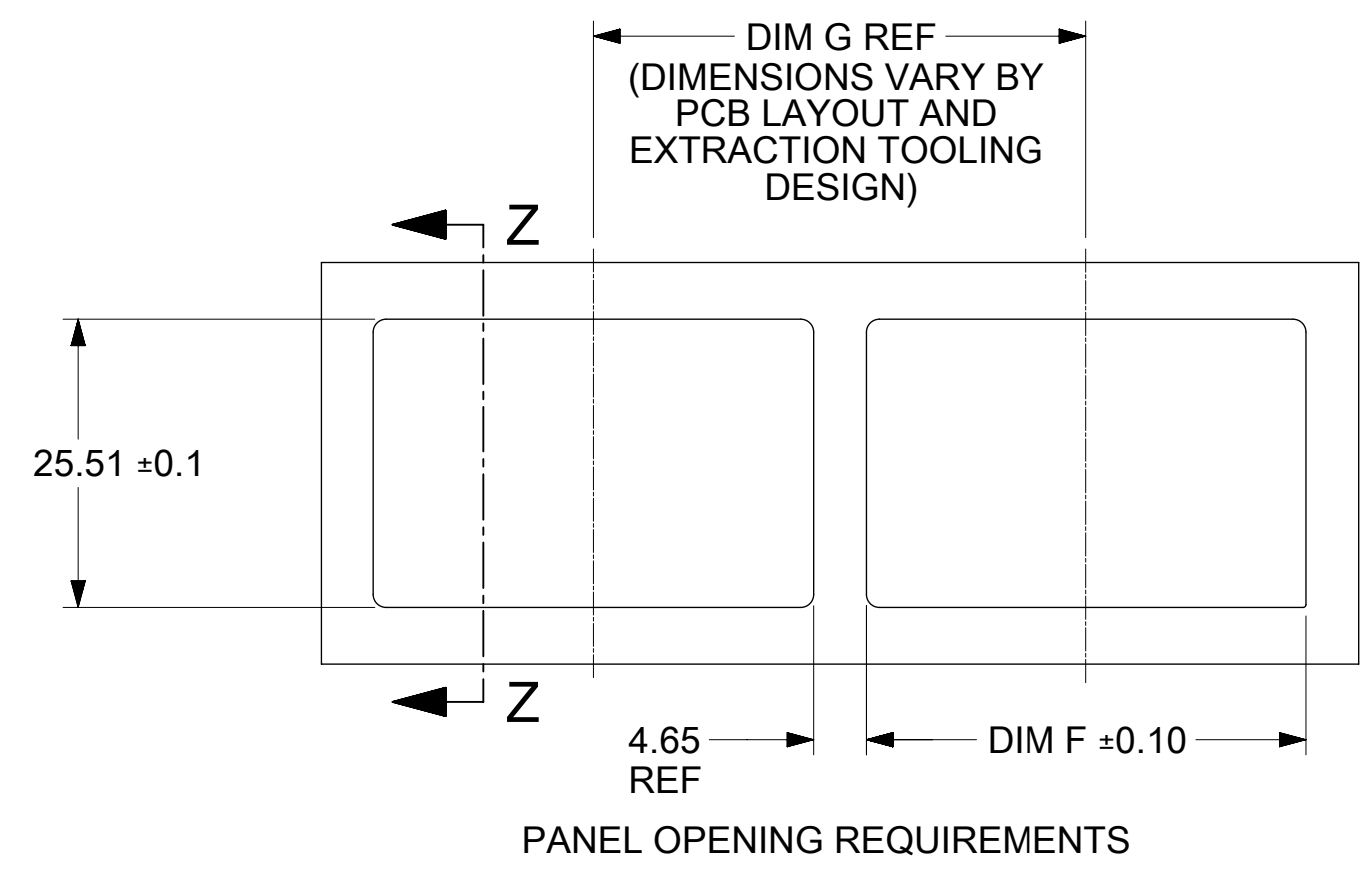
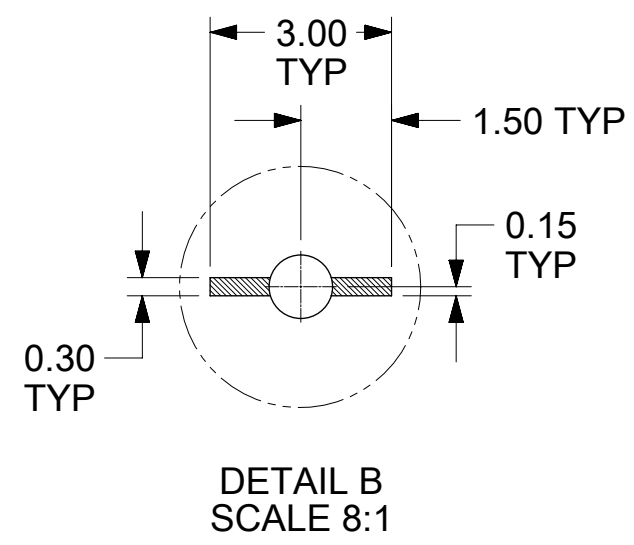
PRODUCT CUSTOMER DRAWING

DOCUMENT NUMBER  
**1715657000**

DOC TYPE DOC PART REVISION  
PSD ASY A



PORT SIZE	DIM 'E'	DIM 'F'	DIM 'G'
2X1	19.5	19.85	24.50
2X2	38.5	38.85	43.50
2X3	57.5	57.85	62.50



- NOTES:**
1. THE ENTIRE AREA UNDER THE CONNECTOR IS A KEEP OUT ZONE FOR COMPONENTS AND TRACES, TOP LAYER ONLY, EXCEPT FOR CHASSIS GROUND.
  2. CROSS-HATCHED AREAS INDICATE PLACES WHERE THE PLASTIC HOUSING AND METAL CAGE MAY CONTACT PCB SURFACE. THESE AREAS ARE KEEP OUT ZONES. CROSS-HATCHED AREA UNDER THE CONNECTOR ARE TRACE AND VIA KEEP OUT AREAS FOR THE TOP LAYER.
  3. THESE RECTANGULAR ZONES ARE FOR LED PLACEMENT. LED HEIGHT SHOULD NOT EXCEED 0.8 AND PLACEMENT SHOULD BE CENTERED WITHIN THIS LED KEEP-IN ZONE.
  4. RECOMMENDED LED CHIP PACKAGE SIZE IS 0805.

<b>FUNCTIONAL SYMBOLS</b> $F_A = 0$ $F_C = 0$ $F_P = 0$ <b>DIVISIONAL SYMBOLS</b>	THIS DRAWING CONTAINS INFORMATION THAT IS PROPRIETARY TO MOLEX ELECTRONIC TECHNOLOGIES, LLC AND SHOULD NOT BE USED WITHOUT WRITTEN PERMISSION											
	<b>DIMENSION UNITS</b> <b>mm</b>		<b>SCALE</b> <b>1:1</b>		CURRENT REV DESC: SEE REVISION HISTORY							
	GENERAL TOLERANCES (UNLESS SPECIFIED)											
	4 PLACES ±		MM		INCH		EC NO: 728470		2022/11/14		<b>ZQSFP+ STACKED ASSY</b> <b>W/ELASTOMERIC GASKET</b>	
3 PLACES ±		±		±		DRWN: SYANG16		2022/11/15				
2 PLACES ±		0.13		±		CHK'D: BARWANKAR		2022/11/15				
1 PLACE ±		0.25		±		APPR: BARWANKAR		2022/11/15				
0 PLACES ±		±		±		INITIAL REVISION:		2012/08/23		DOCUMENT NUMBER		
ANGULAR TOL ±		0.5°		°		DRWN: JKACHLIC		2012/08/30		1715657000		
DRAFT WHERE APPLICABLE MUST REMAIN WITHIN DIMENSIONS		THIRD ANGLE PROJECTION		DRAWING		SERIES		MATERIAL NUMBER		CUSTOMER		
				C-SIZE		171565		SEE P/N TABLE		CISCO		
										SHEET NUMBER		
										4 OF 5		

H  
G  
F  
E  
D  
C  
B  
A

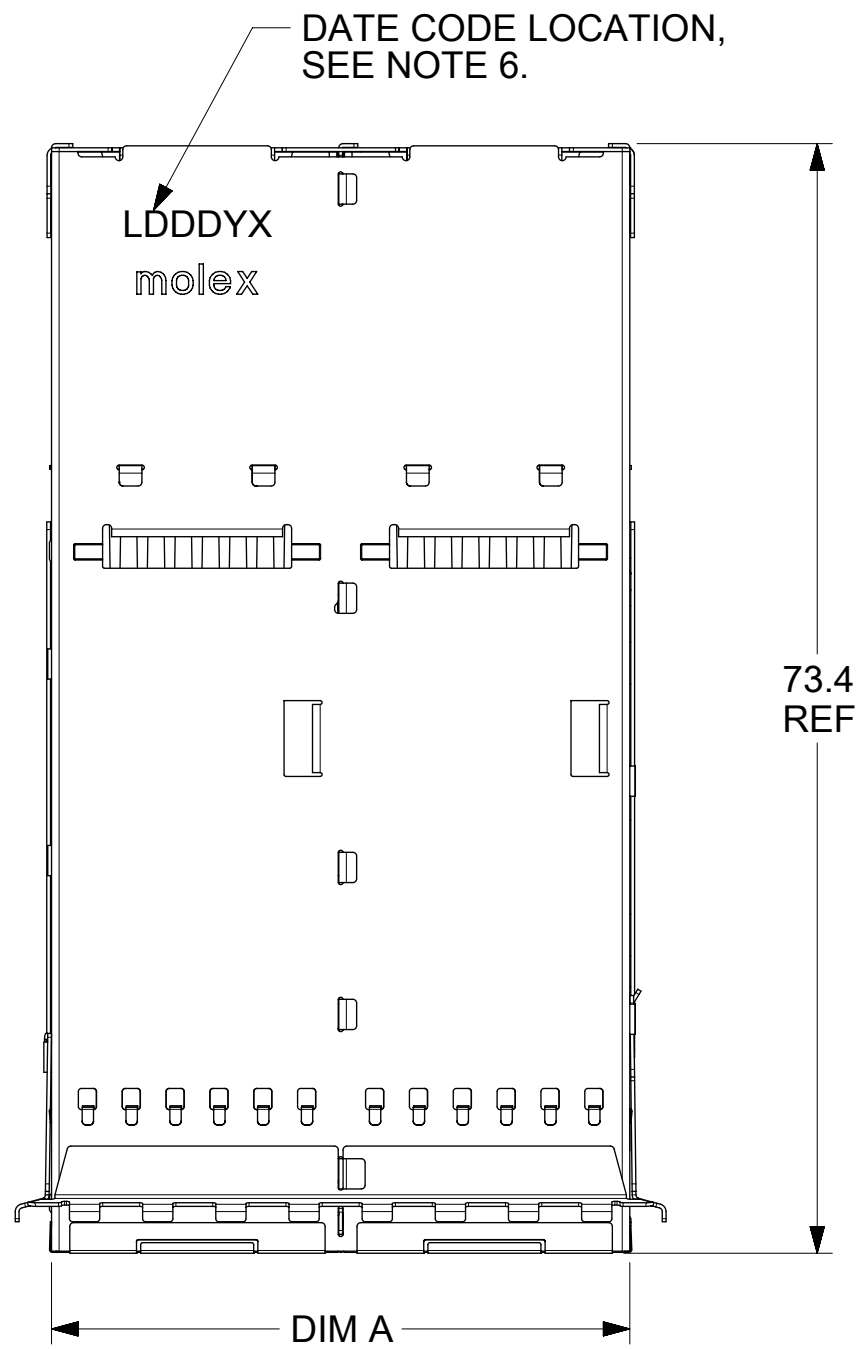
REVISION HISTORY		
DATE	REV.	DESCRIPTION
2022/11/14	A	REMASTER RSD-171565-7000_REV2 FROM OLD SOFTWARE TO NEW SOFTWARE. SHEET 1: CHANGED DATE CODE FORMAT TO LDDDYX-C CORRECTED TYPO FOR FINISH INFORMATION OF SPRING FINGER UPDATE NOTE4 FOR PK SPEC ADDED NEW SHEET 2 SHEET 2: SHOWN 2X1 AND 2X3 OPTION SHEET 4: UPDATED KEEP OUT ZONE AND VERBIAGE IN NOTE1&2 UPDATED PANEL OPENING INFORMATION SHEET 5: ADDED REVISION HISTORY.

FUNCTIONAL SYMBOLS = 0 = 0 = 0 DIVISIONAL SYMBOLS 3 PLACES ± 2 PLACES ± 0.13 1 PLACE ± 0.25 0 PLACES ±	THIS DRAWING CONTAINS INFORMATION THAT IS PROPRIETARY TO MOLEX ELECTRONIC TECHNOLOGIES, LLC AND SHOULD NOT BE USED WITHOUT WRITTEN PERMISSION		
	DIMENSION UNITS	SCALE	CURRENT REV DESC: SEE REVISION HISTORY
	mm	1:1	
	GENERAL TOLERANCES (UNLESS SPECIFIED)		
ANGULAR TOL ± 0.5°			
EC NO: 728470			
DRWN: SYANG16 2022/11/14			
CHK'D: BARWANKAR 2022/11/15			
APPR: BARWANKAR 2022/11/15			
INITIAL REVISION:			
DRWN: SYANG16 2022/11/14			
APPR: BARWANKAR 2022/11/15			
DRAFT WHERE APPLICABLE MUST REMAIN WITHIN DIMENSIONS		THIRD ANGLE PROJECTION	DRAWING
			C-SIZE
		SERIES	171565
DOCUMENT NUMBER		DOC TYPE	DOC PART
1715657000		PSD	ASY
MATERIAL NUMBER		CUSTOMER	SHEET NUMBER
SEE P/N TABLE		CISCO	5 OF 5



ZQSFP+ STACKED ASSY  
W/ELASTOMERIC GASKET

PRODUCT CUSTOMER DRAWING



PORT SIZE	PART NUMBER	DIM 'A'	DIM 'B'	DIM 'C'
2X1	171565-100*	19.5	24.1	19.00
2X2	171565-000*	38.5	43.1	38.00
2X3	171565-300*	57.5	62.1	57.00

\* - DESIGNATES FRONT PLATE OPTIONS

NOTES:

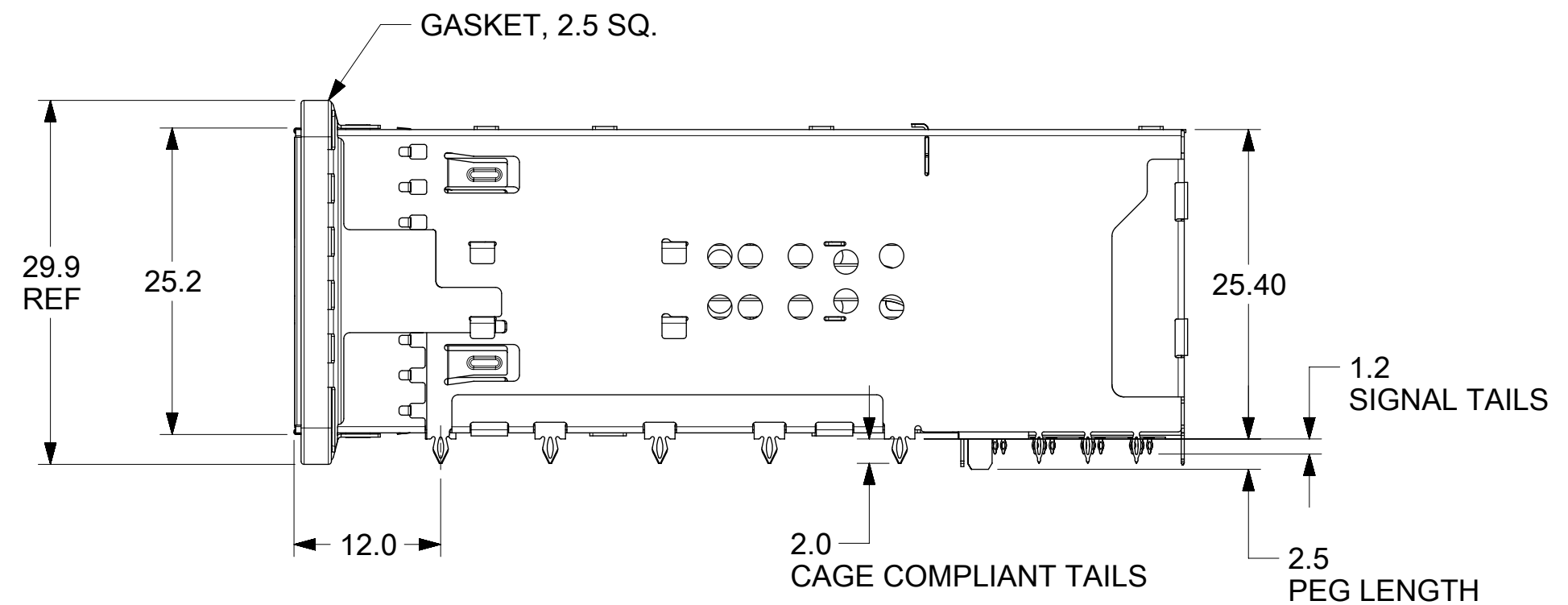
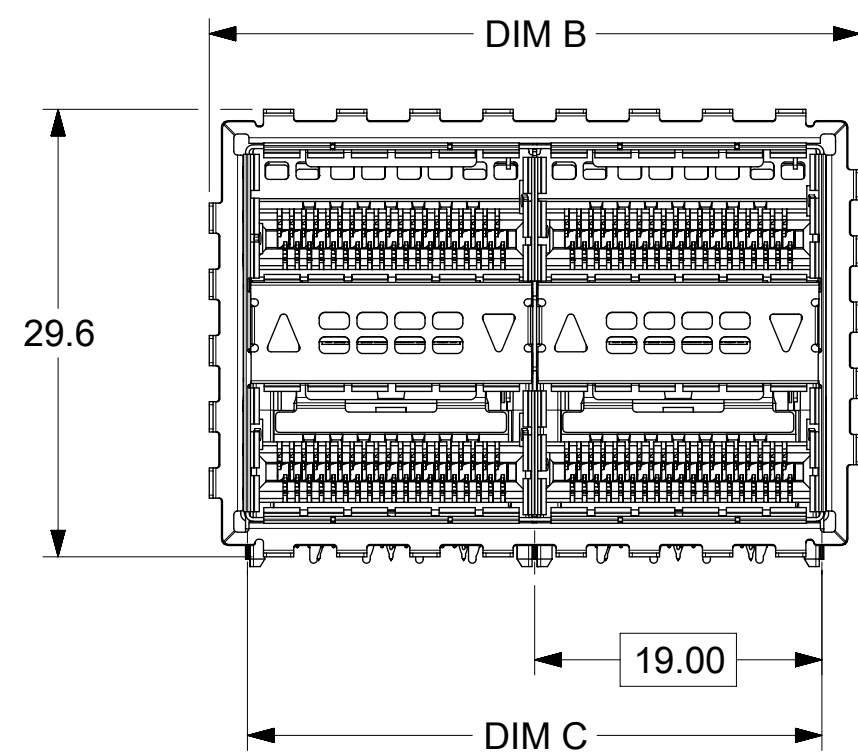
1. MATERIAL:

CAGE: NICKEL SILVER, 0.25 THICK  
 EMI STRAPS: PHOS-BRONZE, 0.10 THICK  
 GASKET: SILICONE  
 LIGHT PIPES (OPTIONAL): POLYCARBONATE  
 (PER TELCORDIA-GR-63-CORE-ISSUE3, SECTION 4.2.3.1; R4-43,  
 DISCRETE STRUCTURAL COMPONENTS CONSTITUTING A FUEL  
 LOAD OF 1 GRAM OR LESS ARE EXEMPT FROM THE REQUIREMENTS  
 OF R4-43 (91); UL 94V-0 RATING)  
 CONNECTOR HOUSING: HIGH PERFORMANCE THERMOPLASTIC, 94V-0  
 TERMINALS: HIGH PERFORMANCE COPPER ALLOY, 0.18 THICK

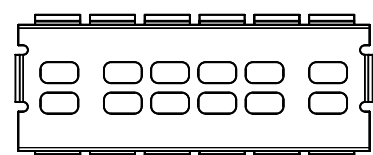
2. FINISH:

SPRING FINGERS: 0.5µm NICKEL OVERALL  
 GASKET: SILVER  
 TERMINALS: CONTACT AREA: 0.76µm MIN GOLD OVER 2.5µm MIN NICKEL.  
 COMPLIANT AREA: 0.76-1.52µm MATTE TIN OVER 1.27µm MIN NICKEL.

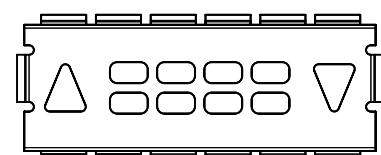
3. ALL SURFACES TO BE CLASS 'C' OR BETTER PER MOLEX COSMETIC SPECIFICATION PS-45499-002.  
 4. REFER TO PK-171565-0001 FOR PACKAGING SPECIFICATIONS.  
 5. CONNECTOR INTENDED TO MATE WITH PLUG CABLE SERIES 74757 AND 74758.  
 6. DATE CODE LOCATION SHOWN, DATE CODE FORMAT: LDDDYX  
 L: MOLEX INTERNAL CONTROL  
 DDD: DAY OF THE YEAR  
 Y: LAST DIGIT OF YEAR  
 X: MOLEX INTERNAL CONTROL



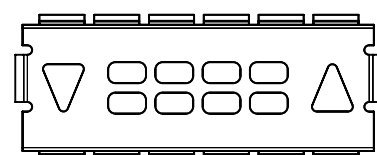
171565-0002 SHOWN FOR REFERENCE  
 APPEARANCE MAY VARY BY SIZE



P/N 171565-\*001  
 AIRFLOW ONLY  
 NO LIGHTPIPE



P/N 171565-\*002  
 UP / DOWN LIGHTPIPE  
 INDICATOR



P/N 171565-\*003  
 DOWN / UP LIGHTPIPE  
 INDICATOR

THIS DRAWING CONTAINS INFORMATION THAT IS PROPRIETARY TO MOLEX ELECTRONIC TECHNOLOGIES, LLC AND SHOULD NOT BE USED WITHOUT WRITTEN PERMISSION									
DIMENSION UNITS		SCALE		CURRENT REV DESC: SEE REVISION HISTORY					
mm		2:1							
GENERAL TOLERANCES (UNLESS SPECIFIED)				EC NO: 617910					
		MM	INCH	DRWN: CWANG67		2019/05/21			
4 PLACES		±	±	CHK'D: CWANG67		2019/05/24			
3 PLACES		±	±	APPR: RNELSON		2019/05/28			
2 PLACES		± 0.13	±	INITIAL REVISION:					
1 PLACE		± 0.25	±	DRWN: JKACHLIC		2012/08/23			
0 PLACES		±	±	APPR: MBANAKIS		2012/08/30			
ANGULAR TOL		± 0.5 °		THIRD ANGLE PROJECTION		DRAWING		SERIES	
DRAFT WHERE APPLICABLE MUST REMAIN WITHIN DIMENSIONS				C-SIZE		171565		MATERIAL NUMBER	
								CUSTOMER	
								SHEET NUMBER	
								1 OF 4	

**molex**

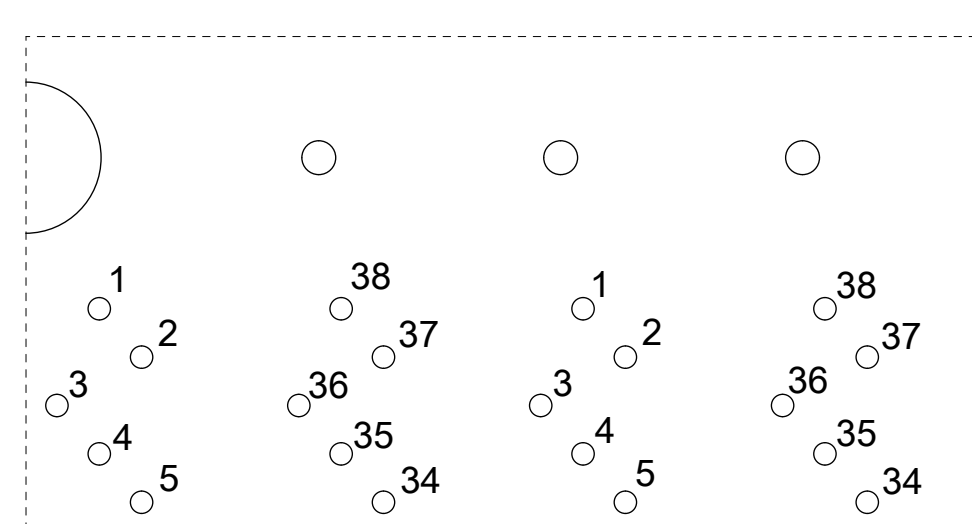
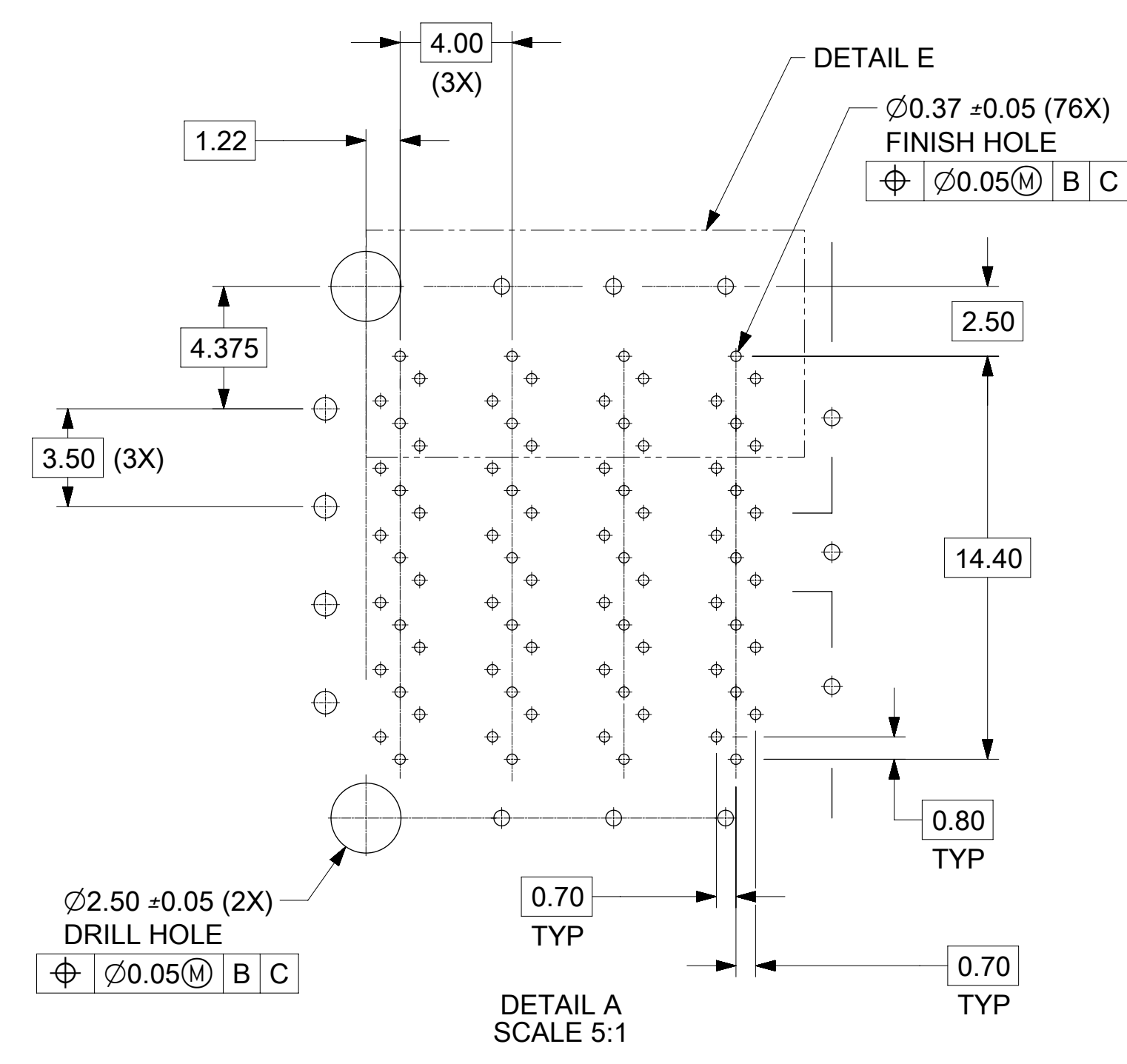
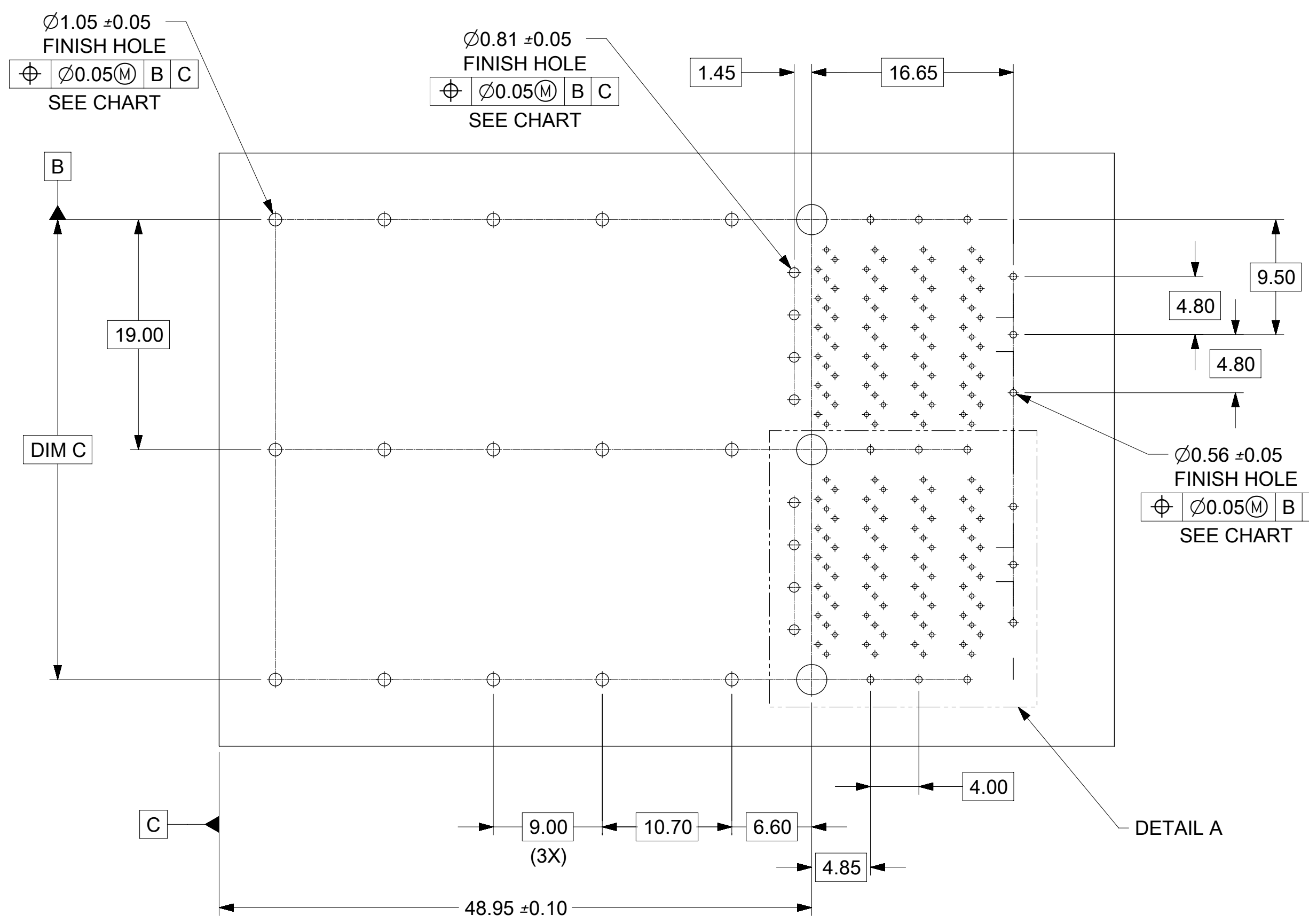
ZQSFP+ STACKED ASSY  
 W/ELASTOMERIC GASKET

PRODUCT CUSTOMER DRAWING

DOCUMENT NUMBER	DOC TYPE	DOC PART	REVISION
SD-171565-2000	PSD	001	A2

MATERIAL NUMBER	CUSTOMER	SHEET NUMBER
SEE CHART	GENERAL MARKET	1 OF 4

DOCUMENT STATUS	P1	RELEASE DATE	2019/05/28 04:38:04
-----------------	----	--------------	---------------------

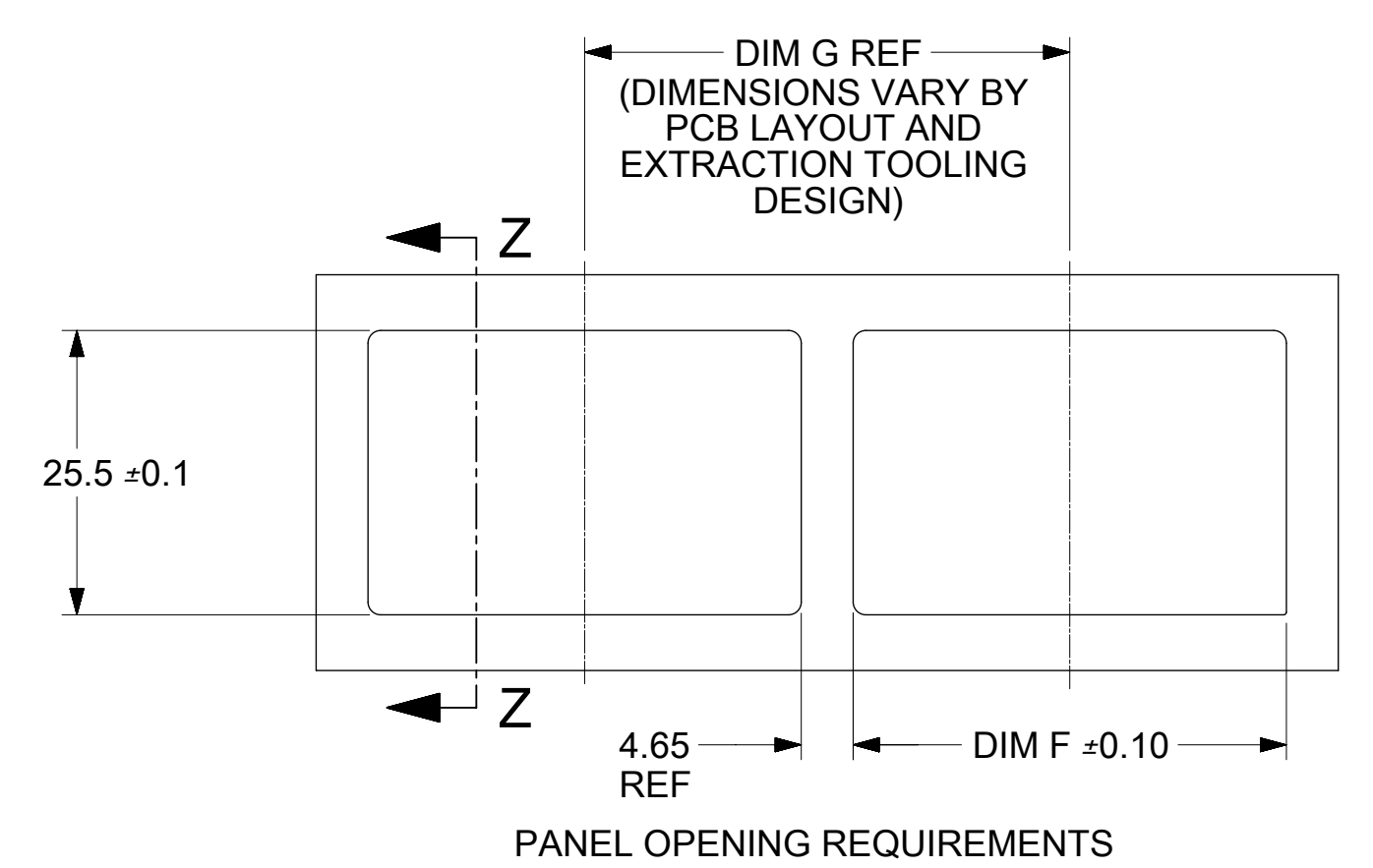
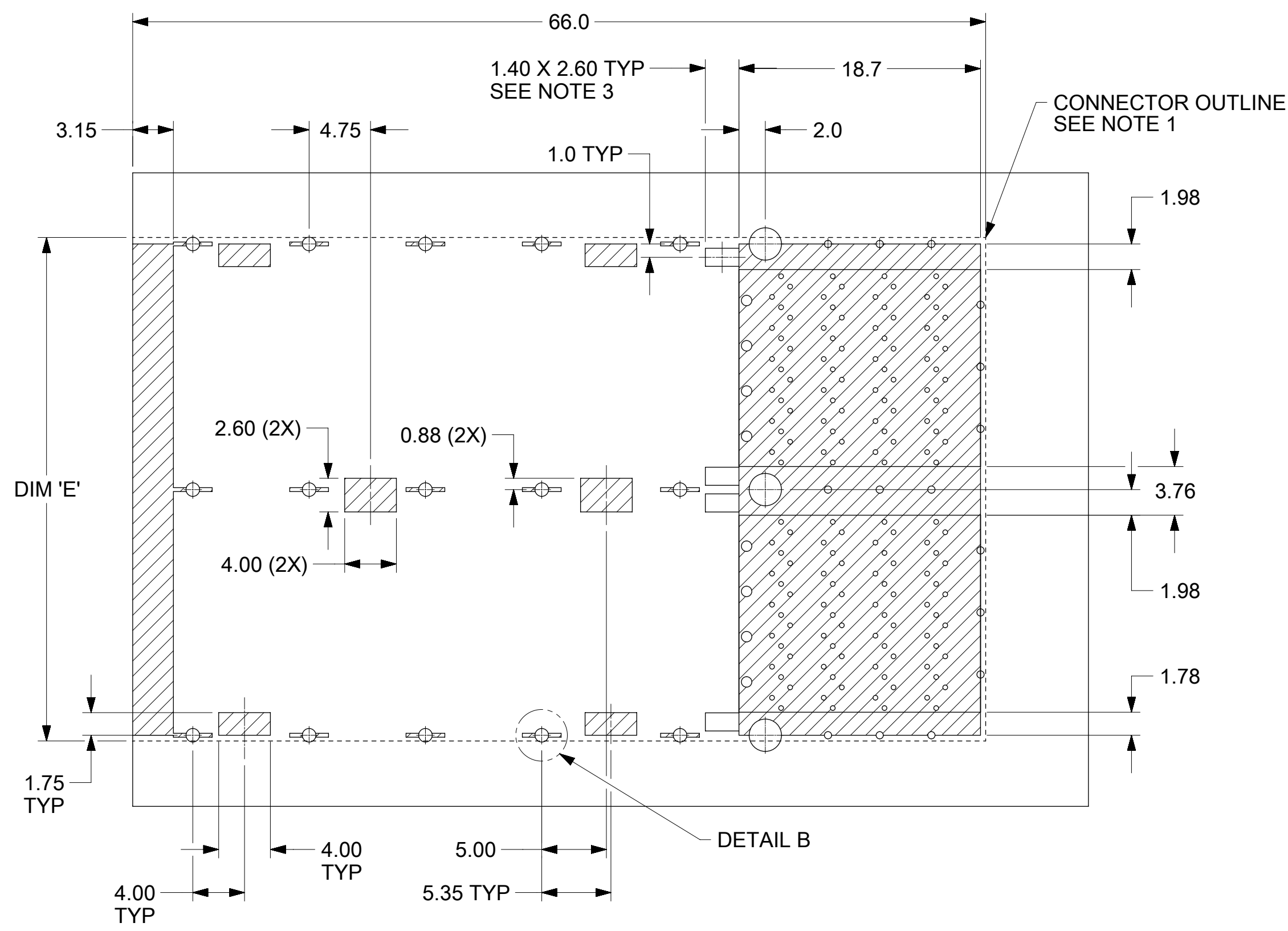


DETAIL E  
SCALE 8:1  
PIN ASSIGNMENTS

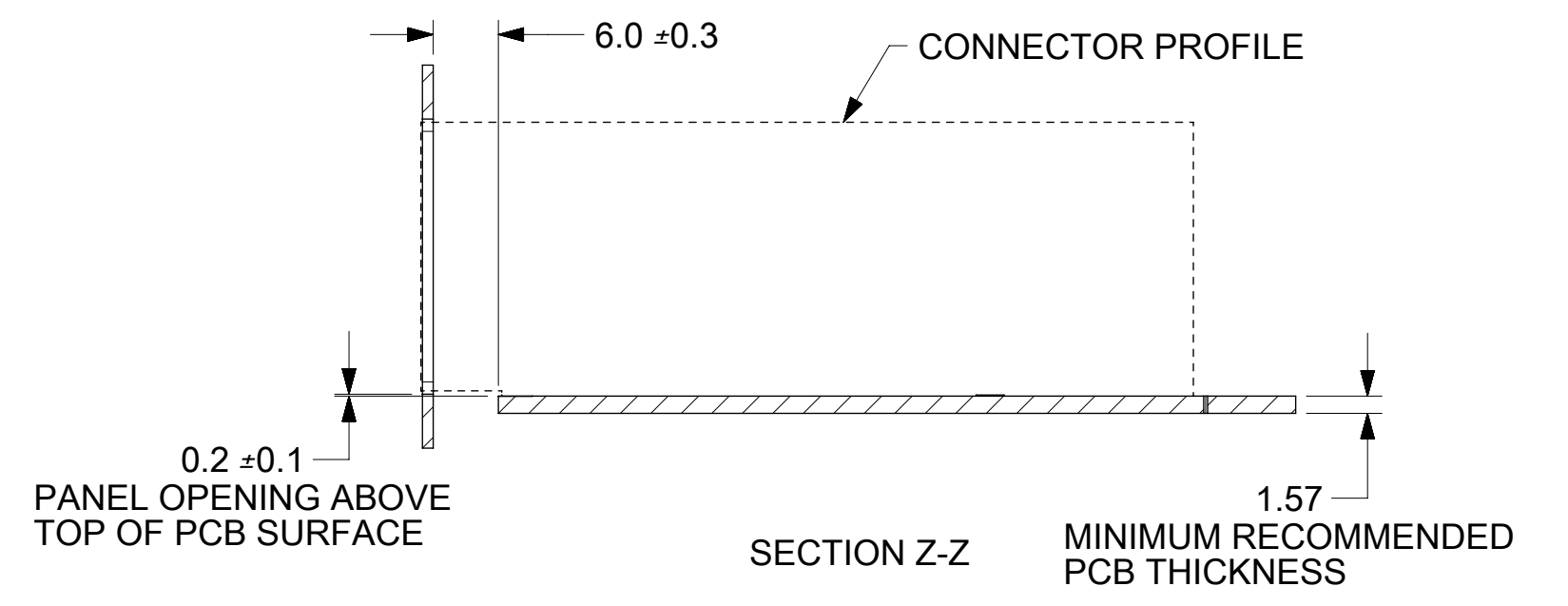
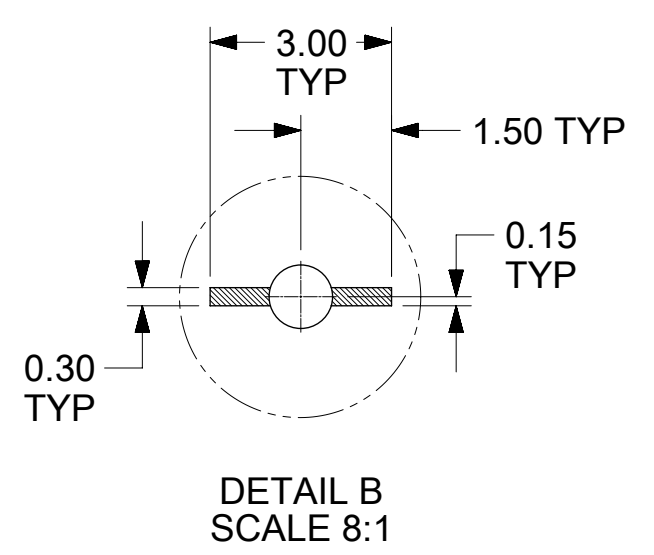
PORT SIZE	DIM C	Ø1.05 PTH QUANTITY	Ø0.56 PTH QUANTITY	Ø0.81 PTH QUANTITY
2X1	19.00	10	9	4
2X2	38.00	15	15	8
2X3	57.00	20	21	12

THIS DRAWING CONTAINS INFORMATION THAT IS PROPRIETARY TO MOLEX ELECTRONIC TECHNOLOGIES, LLC AND SHOULD NOT BE USED WITHOUT WRITTEN PERMISSION

DIMENSION UNITS <b>mm</b>		SCALE <b>3:1</b>		CURRENT REV / DESC: SEE REVISION HISTORY		
GENERAL TOLERANCES (UNLESS SPECIFIED)				<p><b>molex</b></p> <p>ZQSFP+ STACKED ASSY W/ELASTOMERIC GASKET</p> <p>PRODUCT CUSTOMER DRAWING</p>		
4 PLACES	±	MM	±			EC NO: 617910
3 PLACES	±	MM	±			DRWN: CWANG67 2019/05/21
2 PLACES	± 0.13	MM	±			CHK'D: CWANG67 2019/05/24
1 PLACE	± 0.25	MM	±			APPR: RNELSON 2019/05/28
0 PLACES	±	MM	±	INITIAL REVISION:		
ANGULAR TOL ± 0.5°		THIRD ANGLE PROJECTION		DRWN: JKACHLIC 2012/08/23	DOC NUMBER <b>SD-171565-2000</b>	
DRAFT WHERE APPLICABLE MUST REMAIN WITHIN DIMENSIONS		DRAWING <b>C-SIZE</b>		APPR: MBANAKIS 2012/08/30	DOC TYPE <b>PSD</b>	
		SERIES <b>171565</b>		MATERIAL NUMBER SEE CHART	DOC PART <b>001</b>	
				CUSTOMER GENERAL MARKET	REVISION <b>A2</b>	
				SHEET NUMBER <b>2 OF 4</b>		



PORT SIZE	DIM 'E'	DIM 'F'	DIM 'G'
2X1	19.5	19.85	24.50
2X2	38.5	38.85	43.50
2X3	57.5	57.85	62.50



- NOTES:**
1. THE ENTIRE AREA UNDER THE CONNECTOR IS A KEEP OUT ZONE FOR COMPONENTS AND TRACES, TOP LAYER ONLY, EXCEPT FOR CHASSIS GROUND.
  2. CROSS-HATCHED AREAS INDICATE PLACES WHERE THE PLASTIC HOUSING AND METAL CAGE MAY CONTACT PCB SURFACE. THESE AREAS ARE KEEP OUT ZONES. CROSS-HATCHED AREA UNDER THE CONNECTOR ARE TRACE AND VIA KEEP OUT AREAS FOR THE TOP LAYER.
  3. THESE RECTANGULAR ZONES ARE FOR LED PLACEMENT. LED HEIGHT SHOULD NOT EXCEED 0.8 AND PLACEMENT SHOULD BE CENTERED WITHIN THIS LED KEEP-IN ZONE.
  4. RECOMMENDED LED CHIP PACKAGE SIZE IS 0805.

THIS DRAWING CONTAINS INFORMATION THAT IS PROPRIETARY TO MOLEX ELECTRONIC TECHNOLOGIES, LLC AND SHOULD NOT BE USED WITHOUT WRITTEN PERMISSION

DIMENSION UNITS <b>mm</b>	SCALE <b>1:1</b>	CURRENT REV DESC: SEE REVISION HISTORY		<b>molex</b>			
GENERAL TOLERANCES (UNLESS SPECIFIED)		EC NO: 617910					ZQSFP+ STACKED ASSY W/ELASTOMERIC GASKET
4 PLACES	±	MM	INCH	DRWN: CWANG67	2019/05/21	PRODUCT CUSTOMER DRAWING	
3 PLACES	±			CHK'D: CWANG67	2019/05/24		
2 PLACES	± 0.13			APPR: RNELSON	2019/05/28	DOCUMENT NUMBER	
1 PLACE	± 0.25			INITIAL REVISION:		DOC TYPE	
0 PLACES	±			DRWN: JKACHLIC	2012/08/23	DOC PART	
ANGULAR TOL	± 0.5°			APPR: MBANAKIS	2012/08/30	REVISION	
DRAFT WHERE APPLICABLE MUST REMAIN WITHIN DIMENSIONS		THIRD ANGLE PROJECTION	DRAWING	SERIES	MATERIAL NUMBER	CUSTOMER	SHEET NUMBER
			C-SIZE	171565	SEE CHART	GENERAL MARKET	3 OF 4



REVISION HISTORY		
DATE	REV.	DESCRIPTION
2019/05/23	A2	1.ADDED REVISION HISTORY TABLE. 2.UPDATE NOTE4 FOR PK SPEC. 3.CHG DATE CODE FORMAT TO LDDDYX.
		4.UPDATE KEEP OUT ZONE AND VERBIAGE IN NOTE1&2, SHEET3. 5.UPDATE PANEL OPENING INFORMATION IN SHEET3.

THIS DRAWING CONTAINS INFORMATION THAT IS PROPRIETARY TO MOLEX ELECTRONIC TECHNOLOGIES, LLC AND SHOULD NOT BE USED WITHOUT WRITTEN PERMISSION

DIMENSION UNITS	SCALE	CURRENT REV DESC: SEE REVISION HISTORY		<b>molex</b>				
mm	1:1							
GENERAL TOLERANCES (UNLESS SPECIFIED)		EC NO: 617910		ZQSFP+ STACKED ASSY W/ELASTOMERIC GASKET				
ANGULAR TOL	± 0.5°	DRWN: CWANG67	2019/05/21	PRODUCT CUSTOMER DRAWING				
4 PLACES	±	CHK'D: CWANG67	2019/05/24					
3 PLACES	±	APPR: RNELSON	2019/05/28					
2 PLACES	± 0.13	INITIAL REVISION:		DOCUMENT NUMBER				
1 PLACE	± 0.25	DRWN: JKACHLIC	2012/08/23	SD-171565-2000		DOC TYPE	DOC PART	REVISION
0 PLACES	±	APPR: MBANAKIS	2012/08/30			PSD	001	A2
DRAFT WHERE APPLICABLE MUST REMAIN WITHIN DIMENSIONS	THIRD ANGLE PROJECTION	DRAWING	SERIES	MATERIAL NUMBER	CUSTOMER	SHEET NUMBER		
		C-SIZE	171565		GENERAL MARKET	4 OF 4		