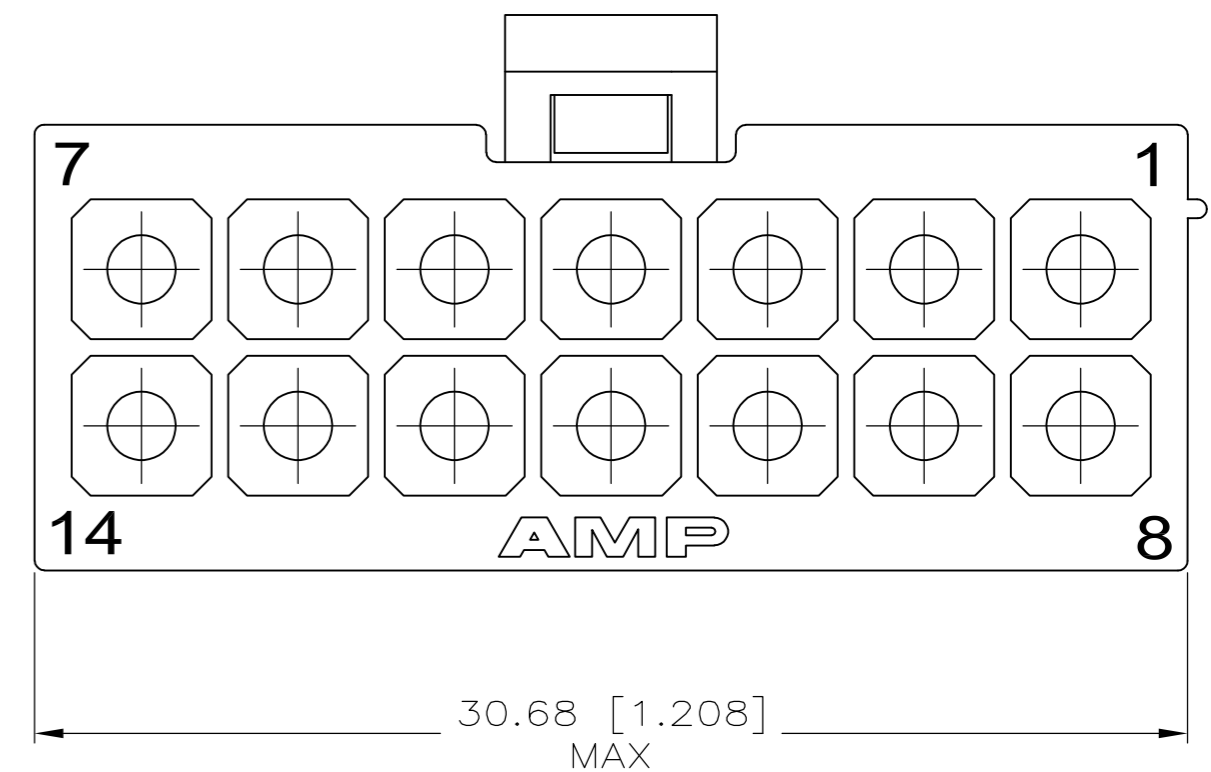
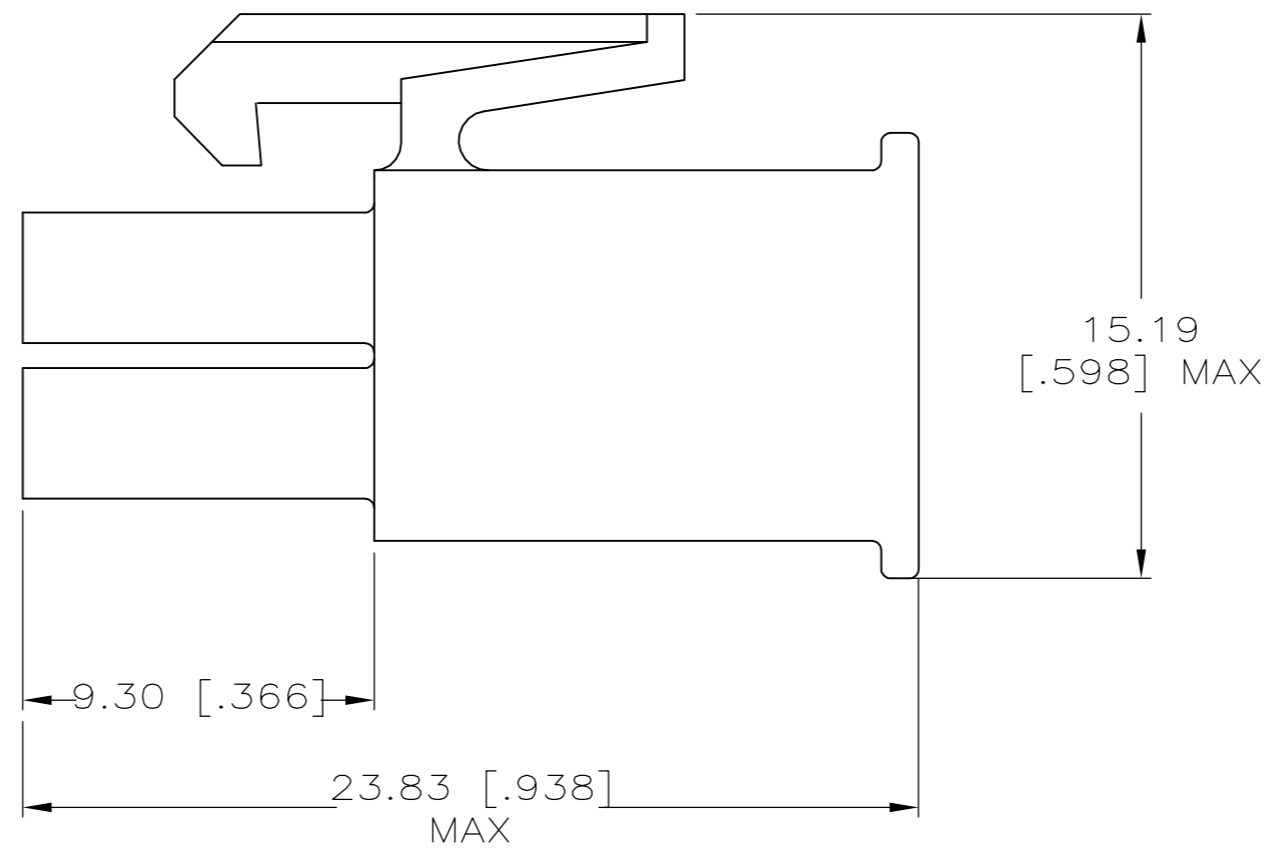
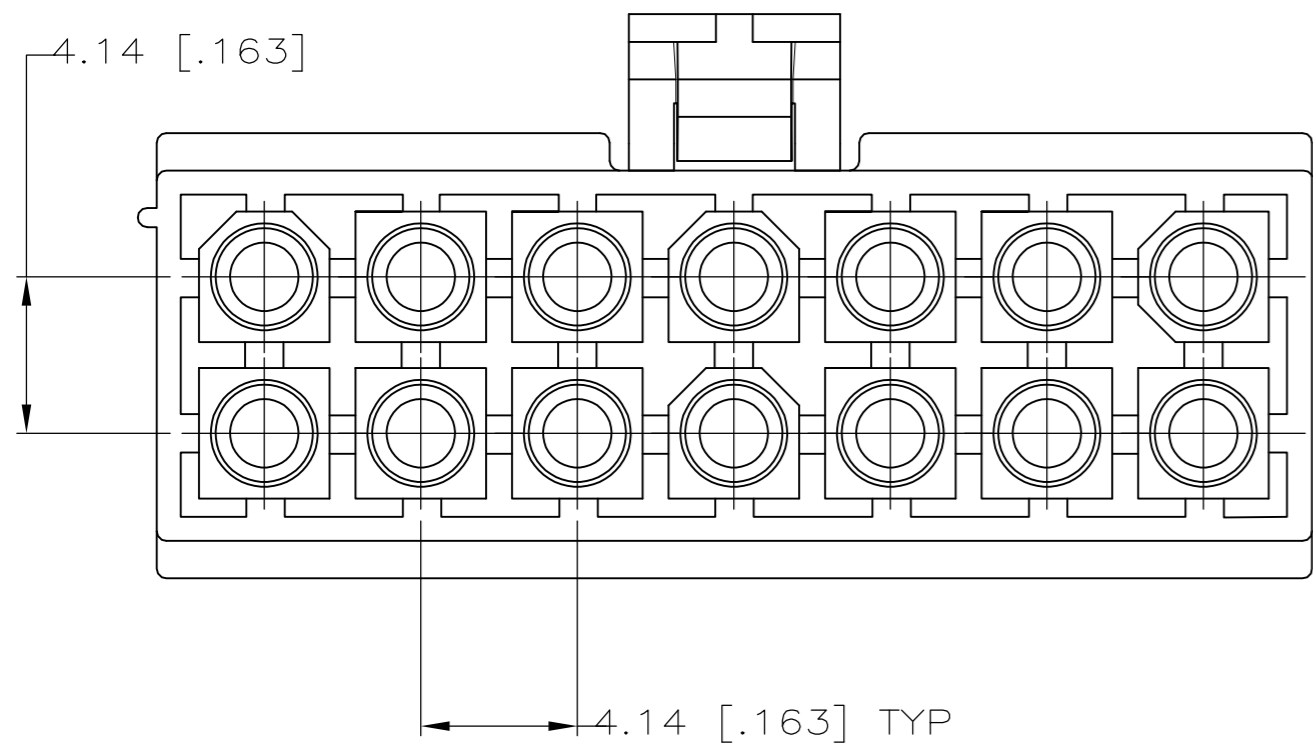


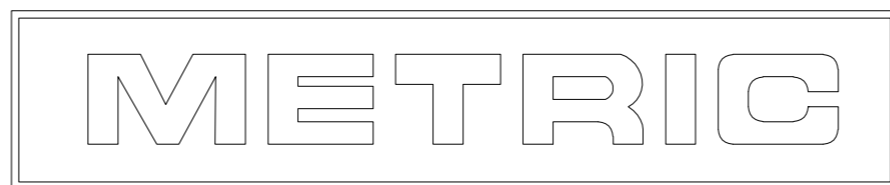
THIS DRAWING IS UNPUBLISHED. RELEASED FOR PUBLICATION
 © COPYRIGHT By - ALL RIGHTS RESERVED.

LOC		DIST		REVISIONS			
P	LTR	DESCRIPTION		DATE	DWN	APVD	
CM	00	H		REVISED PER ECR-15-001261	02MAR15	SC	KD

1. INDIVIDUAL CORING FEATURES AROUND BASES OF SILOS MAY NOT BE PRESENT IN ALL LOCATIONS SHOWN.



770582-1
PART NUMBER



THIS DRAWING IS A CONTROLLED DOCUMENT.		DWN	S. HOOVER	12-MAY-2004	 TE Connectivity
DIMENSIONS:		CHK	C. JONES	12-MAY-2004	
mm [INCHES]		APVD	C. JONES	12-MAY-2004	
TOLERANCES UNLESS OTHERWISE SPECIFIED:		PRODUCT SPEC	NAME		
0 PLC	±	APPLICATION SPEC	PLUG, 14 CIRCUIT, MINI UNIVERSAL MATE-N-LOK™		
1 PLC	±	WEIGHT	SIZE	A2	
2 PLC	±	CUSTOMER DRAWING	CAGE CODE	00779	
3 PLC	± 0.13 [.005]	SCALE	DRAWING NO	C=770582	
4 PLC	±	RESTRICTED TO	SHEET	1 OF 1	
ANGLES	±	REV	H		
FINISH					