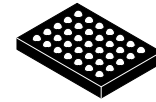


Optical Image Stabilization (OIS) / Auto Focus (AF) Controller & Driver with 40 kB Flash Memory



WLCSP35, 3.22 x 2.3
CASE 567LJ

LC898123F40XC

Overview

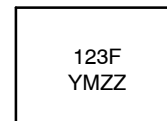
LC898123F40XC is a system solution integrating an ultra-low-power 32-bit DSP, Flash Memory, and analog peripherals for OIS (Optical Image Stabilization) /AF (Auto Focus) control, H-bridge, and linear drivers.

Available in a tiny 3.22 mm × 2.30 mm chip scale package, this device's 40 kB Flash memory enables high level commands and user data for greater system flexibility.

Features

- On-chip Ultra-low-power 32-bit DSP
 - ◆ Built-in Software Digital Servo Filter
 - ◆ Built-in Software Gyro Filter
- Flash Memory
 - ◆ 40 kB Flash Memory to Store Data and DSP Software
- Peripherals
 - ◆ Built-in Hall Op Amp with Internal 5×, 10×, 13×, 20×, 40×, and 60× Adjustable Gain
 - ◆ 4-channel, 14-bit A/D Converter for Hall Input
 - ◆ 3-channel, 3-bit D/A Converter for Hall Offset Setting
 - ◆ 3-channel, 8-bit D/A Converter for Hall Bias Setting
 - ◆ Built-in 1-MHz 2-wire Serial Interface with Clock Stretch Function
 - ◆ Digital Gyro Interface for Various Types of Gyro (SPI Bus)
 - ◆ Built-in 41-MHz Oscillator
 - ◆ Built-in LDO (Low Drop-Out Regulator)
- Package
 - ◆ WLP35 (35-bump chip scale)
 - ◆ 3.22 mm × 2.30 mm, 0.45 mm Thick
 - ◆ 0.4 mm Bump Pitch
 - ◆ Pb-Free and Halogen Free
- Motor Driver
 - ◆ OIS:
 - 2-channel Constant Current Linear Driver ($I_{full} = 200$ mA)
 - 2-channel H-bridge PWM Driver ($I_{omax} = 220$ mA)
 - ◆ OP-AF (Unidirection):
 - 1-channel Constant Current Linear Driver ($I_{full} = 150$ mA)
 - ◆ OP-AF (Bidirection)
 - 1-channel Constant Current Linear Driver ($I_{full} = 150$ mA)
 - ◆ CL-AF
 - 1-channel Constant Current Linear Driver ($I_{full} = 150$ mA)
 - 1-channel H-bridge PWM Driver ($I_{omax} = 150$ mA)

MARKING DIAGRAM



- 123F = Specific Design Code
- Y = Year
- M = Month
- ZZ = Assembly Lot Number

ORDERING INFORMATION

Device	Package	Shipping†
LC898123F40XC-VH	WLCSP35 (Pb-Free)	4000 / Tape & Reel

†For information on tape and reel specifications, including part orientation and tape sizes, please refer to our Tape and Reel Packaging Specification Brochure, BRD8011/D.

- Power Supply Voltage
 - ◆ AD/DA/VGA/LDO/OSC:
 - AVDD30 = 2.6 V to 3.3 V
 - ◆ Digital I/O (Except Gyro I/F) :
 - AVDD30 = 2.6 V to 3.3 V
 - ◆ Driver:
 - VM = Constant Current: 1.75 V to 3.3 V
 - H Bridge PWM: 2.6 V to 3.3 V
 - ◆ Core Logic / Gyro Interface I/O
 - Generated by Internal LDO:
 - DVDD15 = 1.55 V Output (Typ)

LC898123F40XC

BLOCK DIAGRAM

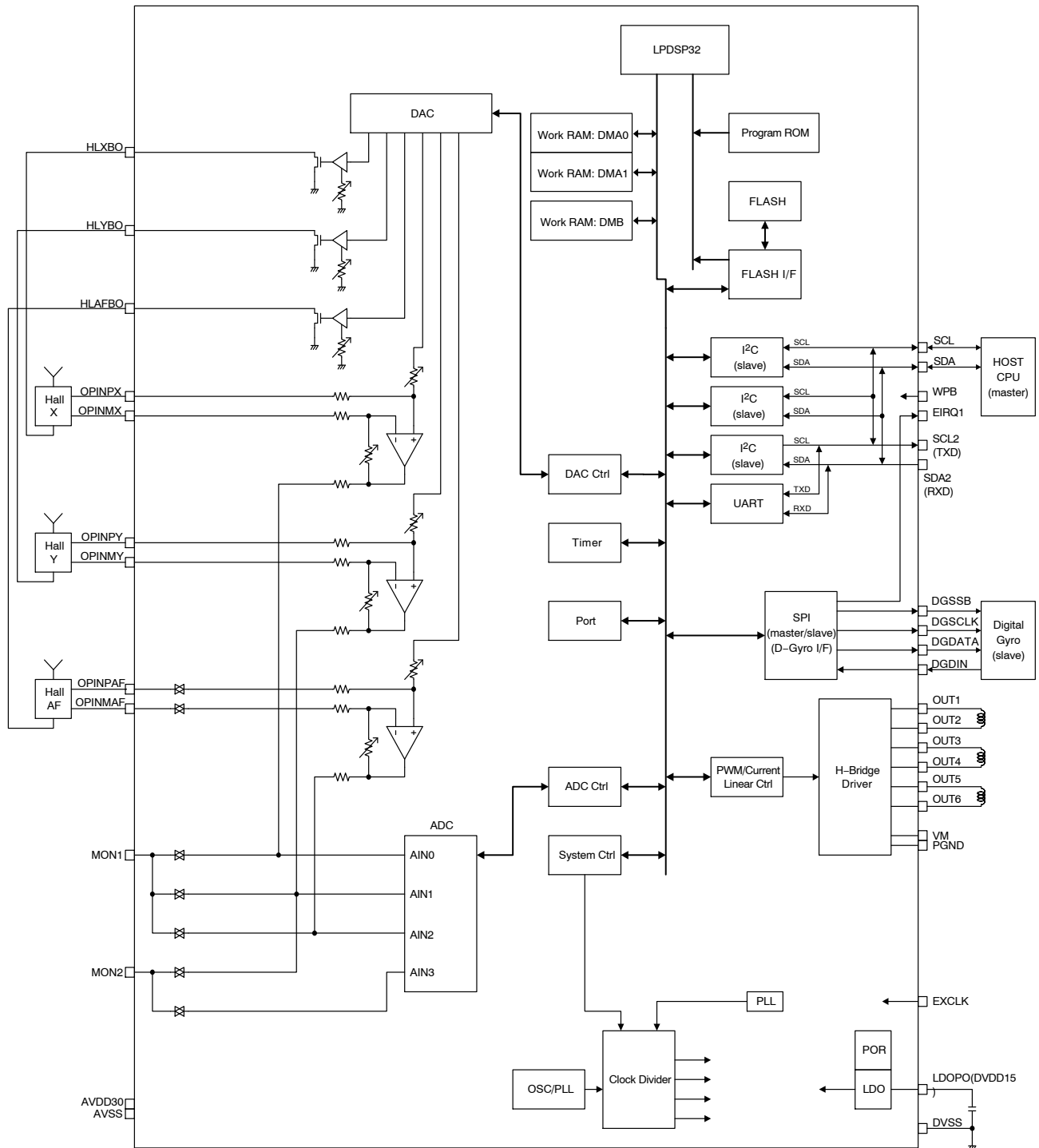


Figure 1. Block Diagram

LC898123F40XC

APPLICATION DIAGRAM

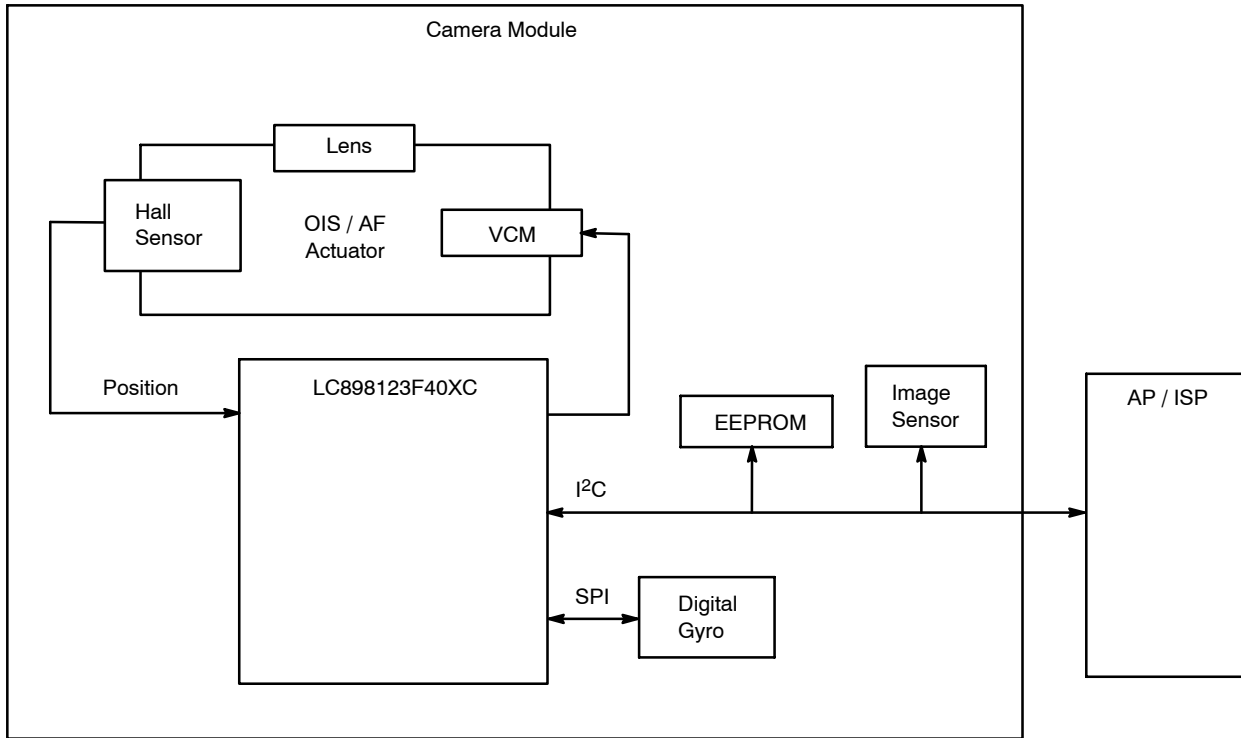


Figure 2. Application Diagram

LC898123F40XC

PIN ASSIGN

	OUT4	OUT3	OUT2	OUT1	VM
G	MON1	SDA2 (RXD)	WPB	PGND	OUT6
F	MON2	SCL2 (TXD)	DVSS	EXCLK	OUT5
E	DVDD15	EIRQ1	AVSS	SDA	SCL
D	AVDD30	HLAFBO	AVSS	HLYBO	HLXBO
C	DGDATA	DGSSB	OPINMAF	OPINMY	OPINMX
B	DGSCLK	DGDIN	OPINPAF	OPINPY	OPINPX
A	1	2	3	4	5

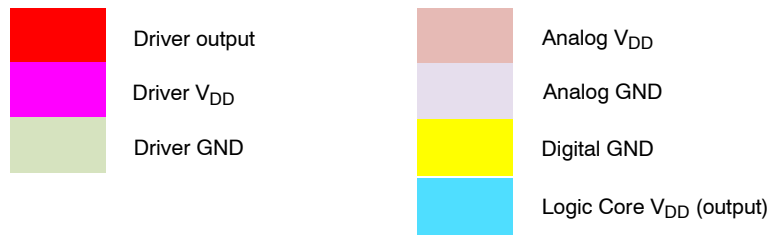


Figure 3. Pin Assign (Bottom View)

LC898123F40XC

PIN DESCRIPTION

PIN DESCRIPTION

Pin No.	Pin	I/O Atr	I/O Pwr (V)	Primary Function	Sub Functions	Init
A1	DGSKLK	B	1.55	Digital Gyro I/F Clock Input	Digital Gyro Clock Output	Z
				Digital Gyro I/F Clock Output	Internal Signal Monitor	
A2	DGDIN	B	1.55	Digital Gyro Data Input (4 Wired)	I ² C Data I/O for DAC Monitor	Z
					Internal Signal Monitor	
A3	OPINPAF	I	2.8	AF Hall Opamp Input Plus	-	-
A4	SDA	B	2.8	OIS Hall Y Opamp Input Plus	-	-
A5	IOVDD	P	2.8	OIS Hall X Opamp Input Plus	-	-
B1	DGDATA	B	1.55	GPIO Input	Digital Gyro I/F Data Output (4 Wired)	Z
					Digital Gyro I/F Data I/O (3 Wired)	
					Internal Signal Monitor	
B2	DGSSB	B	1.55	Digital Gyro I/F Chip Select Input	Digital Gyro I/F Chip Select Output	Z
				Digital Gyro I/F Chip Select Output	Internal Signal Monitor	
B3	OPINMAF	I	2.8	AF Hall OpAmp Input Minus	-	-
B4	OPINMY	I	2.8	OIS Hall Y Opamp Input Minus	-	-
B5	OPINMX	I	2.8	OIS Hall X Opamp Input Minus	-	-
C1	AVDD30	P	-	Analog Power (2.6 V to 3.3 V)	-	-
C2	HAFB0	O	2.8	AF Hall Bias Output	-	-
C3	AVSS	P	-	Analog GND	-	-
C4	HLYB0	O	2.8	OIS Hall Y Bias Output	-	-
C5	HLXB0	O	2.8	OIS Hall X Bias Output	-	-
D1	DVDD15	P	-	Internal LDO Power Output	-	-
D2	EIRQ1	B	2.8	External IRQ1	I ² C Data I/O for DAC Monitor	D
					UART Data Output (TXD)	
				External Clock Input	SPI I/F Chip Select Output	
					Internal Signal Monitor	
D3	AVSS	P	-	Analog GND	-	-
					Servo Monitor Analog Input	
D4	SDA	B	2.8	I ² C Data	-	Z
D5	SCL	B	2.8	I ² C Clock	-	Z
E1	MON2	B	2.8	(Debugger Data Input)	I ² C Data I/O for DAC Monitor	Z
					UART Data Input (RXD)	
					Servo Monitor Analog Out	
					Internal Signal Monitor	
E2	SCL2 (TXD)	B	2.8	I ² C Clock for 2 nd I ² C	I ² C Data I/O for DAC Monitor	Z
					UART Data Output	
					Internal Signal Monitor	
E3	DVSS	P	-	Logic GND	-	-
E4	EXCLK	B	2.8	External Clock Input	I ² C Data I/O for DAC Monitor	D
				External IRQ1	Internal Signal Monitor	
E5	OUT5	O	2.8	AF Driver Output (H-Bridge, Linear)	-	-

LC898123F40XC

PIN DESCRIPTION (continued)

Pin No.	Pin	I/O Atr	I/O Pwr (V)	Primary Function	Sub Functions	Init
F1	MON1	B	2.8	(Debugger Data Input)	I ² C Data I/O for DAC Monitor	L
					UART Data Output (TXD)	
					Servo Monitor Analog Out	
					Internal Signal Monitor	
F2	SDA2 (RXD)	B	2.8	I ² C Data for 2 nd I ² C	I ² C Data I/O for DAC Monitor	Z
					UART Data Input	
					Internal Signal Monitor	
F3	WPB	I	2.8	Write Protect for Flash	-	D
F4	PGND	P	-	Driver GND	-	-
F5	OUT6	O	2.8	AF Driver Output (H-Bridge, Linear)	-	-
G1	OUT4	O	2.8	OIS Driver Output	-	-
G2	OUT3	O	2.8	OIS Driver Output	-	-
G3	OUT2	O	2.8	OIS Driver Output	-	-
G4	OUT1	O	2.8	OIS Driver Output	-	-
G5	VM	P	-	Driver Power (2.6 V to 3.3 V)	-	-

LC898123F40XC

ELECTRICAL CHARACTERISTICS

ABSOLUTE MAXIMUM RATINGS (AVSS = 0 V, DVSS = 0 V, PGND = 0 V)

Parameter	Symbol	Conditions	Ratings	Unit
Power Supply Voltage	V _{AD30} max	T _a ≤ 25°C	-0.3 to +4.6	V
	V _M max	T _a ≤ 25°C	-0.3 to +4.6	V
Input Voltage (Except DGDATA, DGSSB, DGSCCLK, DGDIN)	V _{AI30}	T _a ≤ 25°C	-0.3 to V _{AI30} + 0.3	V
Input Voltage (DGDATA, DGSSB, DGSCCLK, DGDIN)	V _{LDO18}	T _a = -30°C to +85°C	-0.3 to + 1.872	V
Storage Temperature	T _{stg}		-55 to +125	°C
Operating Temperature	T _{opr}		-30 to +85	°C
Output Continuous Current	I _{omax}	OUT1 to 4	210	mA
		OUT5, OUT6	157.5	mA

Stresses exceeding those listed in the Maximum Ratings table may damage the device. If any of these limits are exceeded, device functionality should not be assumed, damage may occur and reliability may be affected.

ALLOWABLE OPERATING RATINGS (T_a = -30 to +85°C, AVSS = 0 V, DVSS = 0 V, PGND = 0 V)

Parameter	Symbol	Min	Typ	Max	Unit
3.0 V POWER SUPPLY (AVDD30)					
Power Supply Voltage	V _{AD30}	2.6	2.8	3.3	V
Input Voltage Range	V _{IN}	0	-	V _{AD30}	V
3.0 V POWER SUPPLY (VM)					
Power Supply Voltage (H-Bridge PWM)	V _{M30}	2.6	2.8	3.3	V
Power Supply Voltage (Constant Current)		1.75	2.8	3.3	V
Input Voltage Range	V _{INM}	0	-	V _{M30}	V

Functional operation above the stresses listed in the Recommended Operating Ranges is not implied. Extended exposure to stresses beyond the Recommended Operating Ranges limits may affect device reliability.

DC CHARACTERISTICS: INPUT/OUTPUT

(T_A = -30 to 85°C, AVSS = 0 V, PGND = 0 V, AVDD30 = 2.7 to 3.3 V, IOVDD = 1.7 to 3.3 V)

Parameter	Symbol	Conditions	Min	Typ	Max	Unit	Applicable Pins
High-level Input Voltage	V _{IH}	CMOS Schmitt	1.36	-	-	V	SCL2(TXD), SDA2(RXD), EXCLK
Low-level Input Voltage	V _{IL}		-	-	0.39	V	
High-level Input Voltage	V _{IH}	CMOS Schmitt	1.26	-	-	V	DGDIN, DGSSB, DGSCCLK, DGDATA
Low-level Input Voltage	V _{IL}		-	-	0.35	V	
High-level Input Voltage	V _{IH}	CMOS Schmitt	1.40	-	-	V	SCL, SDA
Low-level Input Voltage	V _{IL}		-	-	0.40	V	
High-level Input Voltage	V _{IH}	CMOS Schmitt	1.48	-	-	V	EIRQ1, WPB
Low-level Input Voltage	V _{IL}		-	-	0.37	V	
High-level Input Voltage	V _{IH}	CMOS Supported	1.40	-	-	V	MON1, MON2
Low-level Input Voltage	V _{IL}		-	-	0.51	V	
High-level Output Voltage	V _{OH}	I _{OH} = -2 mA	AVDD30 - 0.4	-	-	V	SCL2(TXD), SDA2(RXD), EXCLK, EIRQ1, MON1, MON2
High-level Output Voltage	V _{OH}	I _{OH} = -0.1 mA	1.32	-	-	V	DGDIN, DGSSB, DGSCCLK, DGDATA

LC898123F40XC

DC CHARACTERISTICS: INPUT/OUTPUT (continued)

($T_A = -30$ to 85°C , $AVSS = 0$ V, $PGND = 0$ V, $AVDD30 = 2.7$ to 3.3 V, $IOVDD = 1.7$ to 3.3 V)

Parameter	Symbol	Conditions	Min	Typ	Max	Unit	Applicable Pins
Low-level Output Voltage	V_{OL}	$I_{OL} = 2$ mA	–	–	0.2	V	SCL2(TXD), SDA2(RXD), DGDIN, DGSSB, DGSCCLK, DGDATA, EXCLK, SDA, SCL
Low-level Output Voltage	V_{OL}	$I_{OL} = 2$ mA	–	–	0.4	V	MON1, MON2, EIRQ1
Analog Input Voltage	VAI		AVSS	–	AVDD30	V	OPINPX, OPINPY, OPINPAF, OPINMX, OPINMY, OPINMAF
Pull Up Resistor	R_{up}		50	–	200	$k\Omega$	MON1, MON2, EIRQ1, SCL2(TXD), SD2(RXD)
Pull Up Resistor	R_{up}		180	–	800	$k\Omega$	DGDATA, DGDIN, DGSSB, DGSCCLK
Pull Down Resistor	R_{dn}		50	–	220	$k\Omega$	MON1, MON2, EIRQ1, SCL2(TXD), SDA2(RXD), EXCLK, WPB
Pull Down Resistor	R_{dn}		120	–	500	$k\Omega$	DGDATA, DGDIN, DGSSB, DGSCCLK

DRIVER OUTPUT

($T_a = -30$ to $+85^\circ\text{C}$, $AVSS = 0$ V, $DVSS = 0$ V, $PGND = 0$ V)

Parameter	Symbol	Conditions	Min	Typ	Max	Unit
Output Current, OUT1–OUT4	I_{full}	Full code	–	200	–	mA
Output Current, OUT5, OUT6		Full code OP–AF (bidirection / unidirection) CL–AF	–	150	–	mA

NON-VOLATILE MEMORY CHARACTERISTICS

Parameter	Symbol	Conditions	Min	Typ	Max	Unit
Endurance	EN		–	–	1000	Cycles
Data Retention	RT		10	–	–	Years

Product parametric performance is indicated in the Electrical Characteristics for the listed test conditions, unless otherwise noted. Product performance may not be indicated by the Electrical Characteristics if operated under different conditions.

LC898123F40XC

AC CHARACTERISTICS

Power Sequence

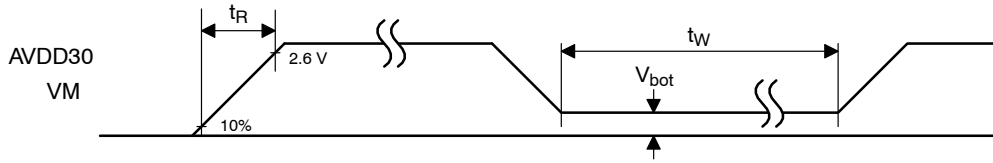


Figure 4.

Table 1.

Item	Symbol	Min	Typ	Max	Unit
Rise Time	t_R	-	-	3	ms
Wait Time	t_W	100	-	-	ms
Bottom Voltage	V_{bot}	-	-	0.2	V

Injection order between AVDD30 and VM is below.

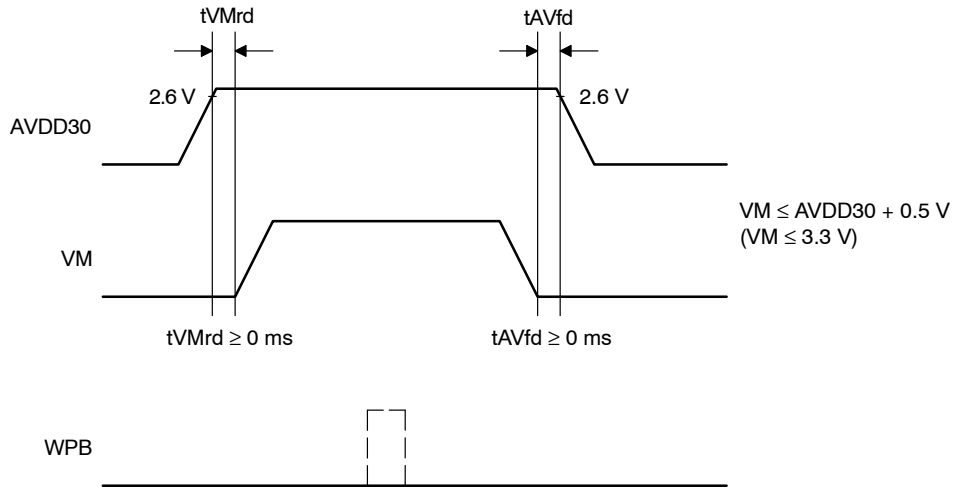


Figure 5. Injection Order between AVDD30 and VM

WPB must be open or pulled down normally. When Flash is erased or programmed, WPB must be held High. SDA, SCL, EXCLK, and WPB will tolerate 3 V input at the time of power off. Power must remain applied to the device during flash access in order to prevent unintentional rewriting of the flash memory.

Data in flash memory may be rewritten unintentionally if the specified power sequencing techniques are not kept.

LC898123F40XC

Two Wire Serial Interface Timing

The device's communication protocol is compatible with I²C (Fast mode Plus). This circuit has clock stretch function.

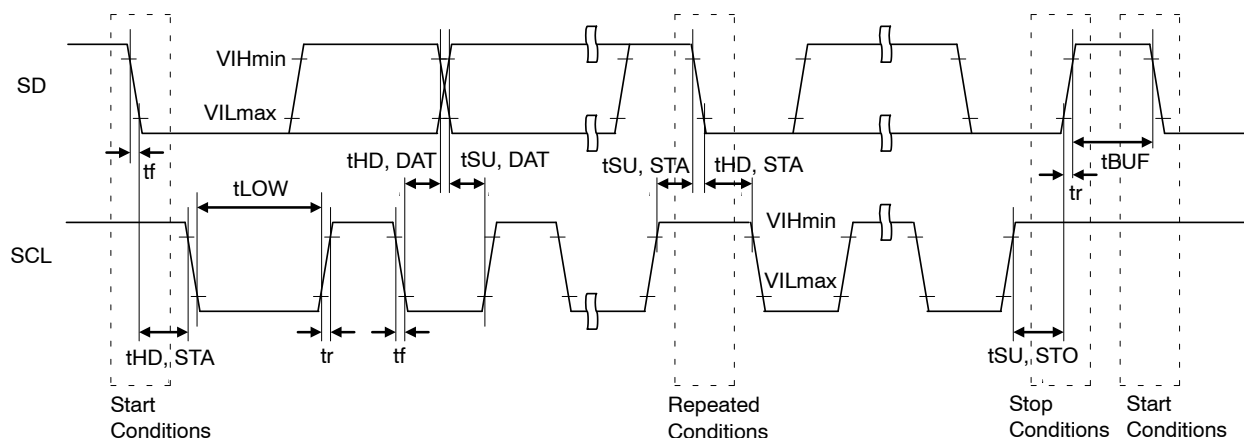


Figure 6. 2-wire Serial Interface Timing

Table 2.

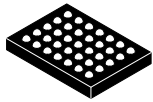
Item	Symbol	Pin Name	Min	Typ	Max	Units
SCL Clock Frequency	F _{scl}	SCL	–	–	1000	kHz
START Condition Hold Time	t _{HD;STA}	SCL SDA	0.26	–	–	μs
SCL Clock Low Period	t _{LOW}	SCL	0.5	–	–	μs
SCL Clock High Period	t _{HIGH}	SCL	0.26	–	–	μs
Setup Time for Repetition START Condition	t _{SU;STA}	SCL SDA	0.26	–	–	μs
Data Hold Time	t _{HD;DAT}	SCL SDA	0 (Note 1)	–	0.9	μs
Data Setup Time	t _{SU;DAT}	SCL SDA	50	–	–	ns
SDA, SCL Rising Time	t _r	SCL SDA	–	–	120	ns
SDA, SCL Falling Time	t _f	SCL SDA	–	–	120	ns
STOP Condition Setup Time	t _{SU;STO}	SCL SDA	0.26	–	–	μs
Bus Free Time between STOP and START	t _{BUF}	SCL SDA	0.5	–	–	μs

1. Although the I²C specification defines a condition that 300 ns of hold time is required internally, LC898123F40XC is designed for a condition with typ. 40 ns of hold time. If SDA signal is unstable around falling point of SCL signal, please implement an appropriate countermeasure on board, such as inserting a resistor.

MECHANICAL CASE OUTLINE

PACKAGE DIMENSIONS

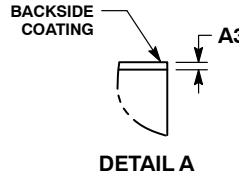
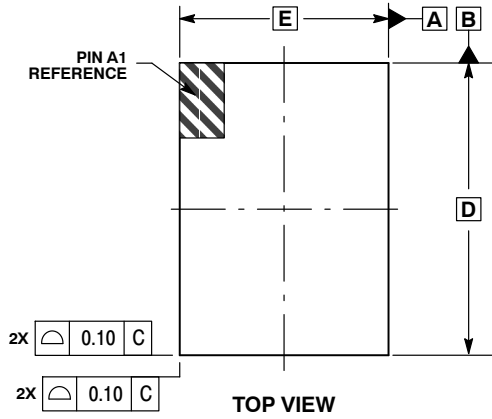
ON Semiconductor®



SCALE 4:1

WLCSP35, 3.22x2.3
CASE 567LJ
ISSUE B

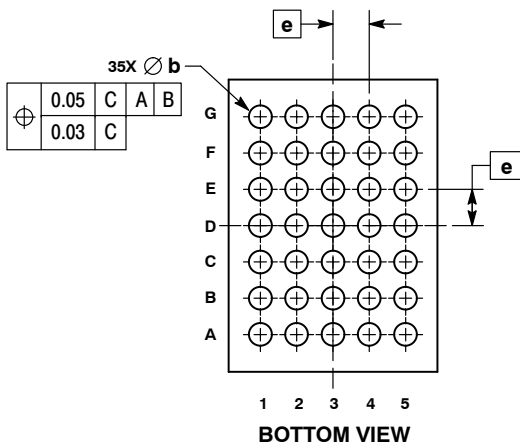
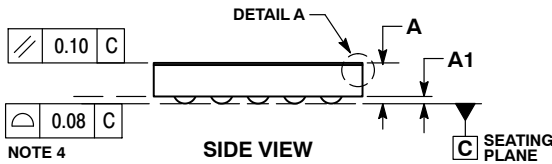
DATE 17 MAR 2017



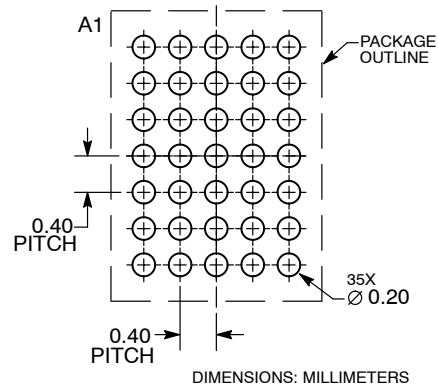
NOTES:

1. DIMENSIONING AND TOLERANCING PER ASME Y14.5M, 1994.
2. CONTROLLING DIMENSION: MILLIMETERS.
3. DATUM C, THE SEATING PLANE, IS DEFINED BY THE SPHERICAL CROWNS OF THE SOLDER BALLS.
4. COPLANARITY APPLIES TO SPHERICAL CROWNS OF SOLDER BALLS.

DIM	MILLIMETERS	
	MIN	MAX
A	0.35	0.45
A1	0.03	0.13
A3	0.025 REF	
b	0.15	0.25
D	3.22 BSC	
E	2.30 BSC	
e	0.40 BSC	



RECOMMENDED SOLDERING FOOTPRINT*



*For additional information on our Pb-Free strategy and soldering details, please download the ON Semiconductor Soldering and Mounting Techniques Reference Manual, SOLDERRM/D.

DOCUMENT NUMBER:	98AON96722F	Electronic versions are uncontrolled except when accessed directly from the Document Repository. Printed versions are uncontrolled except when stamped "CONTROLLED COPY" in red.
DESCRIPTION:	WLCSP35, 3.22X2.3	PAGE 1 OF 1

ON Semiconductor and are trademarks of Semiconductor Components Industries, LLC dba ON Semiconductor or its subsidiaries in the United States and/or other countries. ON Semiconductor reserves the right to make changes without further notice to any products herein. ON Semiconductor makes no warranty, representation or guarantee regarding the suitability of its products for any particular purpose, nor does ON Semiconductor assume any liability arising out of the application or use of any product or circuit, and specifically disclaims any and all liability, including without limitation special, consequential or incidental damages. ON Semiconductor does not convey any license under its patent rights nor the rights of others.

onsemi, **Onsemi**, and other names, marks, and brands are registered and/or common law trademarks of Semiconductor Components Industries, LLC dba "**onsemi**" or its affiliates and/or subsidiaries in the United States and/or other countries. **onsemi** owns the rights to a number of patents, trademarks, copyrights, trade secrets, and other intellectual property. A listing of **onsemi**'s product/patent coverage may be accessed at www.onsemi.com/site/pdf/Patent-Marking.pdf. **onsemi** reserves the right to make changes at any time to any products or information herein, without notice. The information herein is provided "as-is" and **onsemi** makes no warranty, representation or guarantee regarding the accuracy of the information, product features, availability, functionality, or suitability of its products for any particular purpose, nor does **onsemi** assume any liability arising out of the application or use of any product or circuit, and specifically disclaims any and all liability, including without limitation special, consequential or incidental damages. Buyer is responsible for its products and applications using **onsemi** products, including compliance with all laws, regulations and safety requirements or standards, regardless of any support or applications information provided by **onsemi**. "Typical" parameters which may be provided in **onsemi** data sheets and/or specifications can and do vary in different applications and actual performance may vary over time. All operating parameters, including "Typicals" must be validated for each customer application by customer's technical experts. **onsemi** does not convey any license under any of its intellectual property rights nor the rights of others. **onsemi** products are not designed, intended, or authorized for use as a critical component in life support systems or any FDA Class 3 medical devices or medical devices with a same or similar classification in a foreign jurisdiction or any devices intended for implantation in the human body. Should Buyer purchase or use **onsemi** products for any such unintended or unauthorized application, Buyer shall indemnify and hold **onsemi** and its officers, employees, subsidiaries, affiliates, and distributors harmless against all claims, costs, damages, and expenses, and reasonable attorney fees arising out of, directly or indirectly, any claim of personal injury or death associated with such unintended or unauthorized use, even if such claim alleges that **onsemi** was negligent regarding the design or manufacture of the part. **onsemi** is an Equal Opportunity/Affirmative Action Employer. This literature is subject to all applicable copyright laws and is not for resale in any manner.

PUBLICATION ORDERING INFORMATION

LITERATURE FULFILLMENT:

Email Requests to: orderlit@onsemi.com

onsemi Website: www.onsemi.com

TECHNICAL SUPPORT

North American Technical Support:

Voice Mail: 1 800-282-9855 Toll Free USA/Canada

Phone: 011 421 33 790 2910

Europe, Middle East and Africa Technical Support:

Phone: 00421 33 790 2910

For additional information, please contact your local Sales Representative