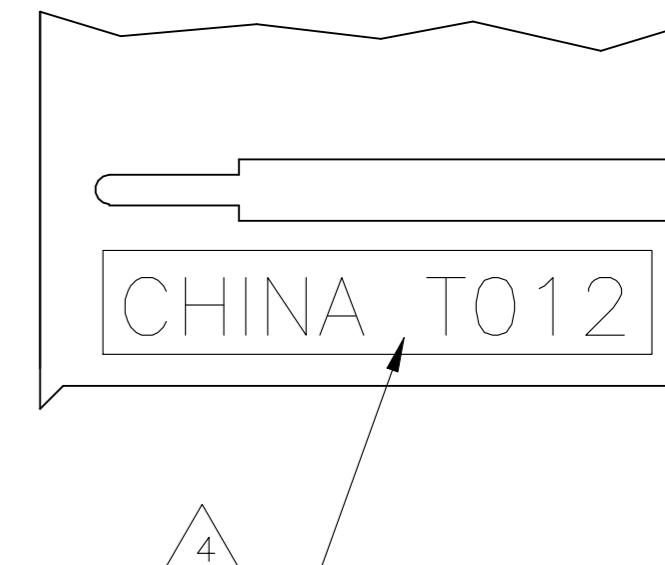
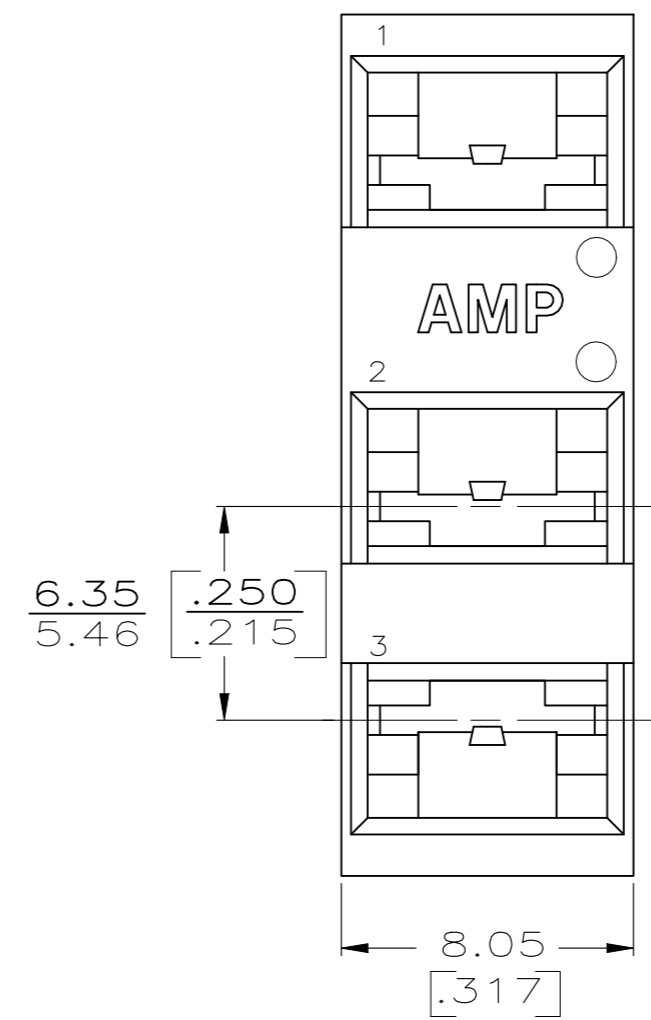
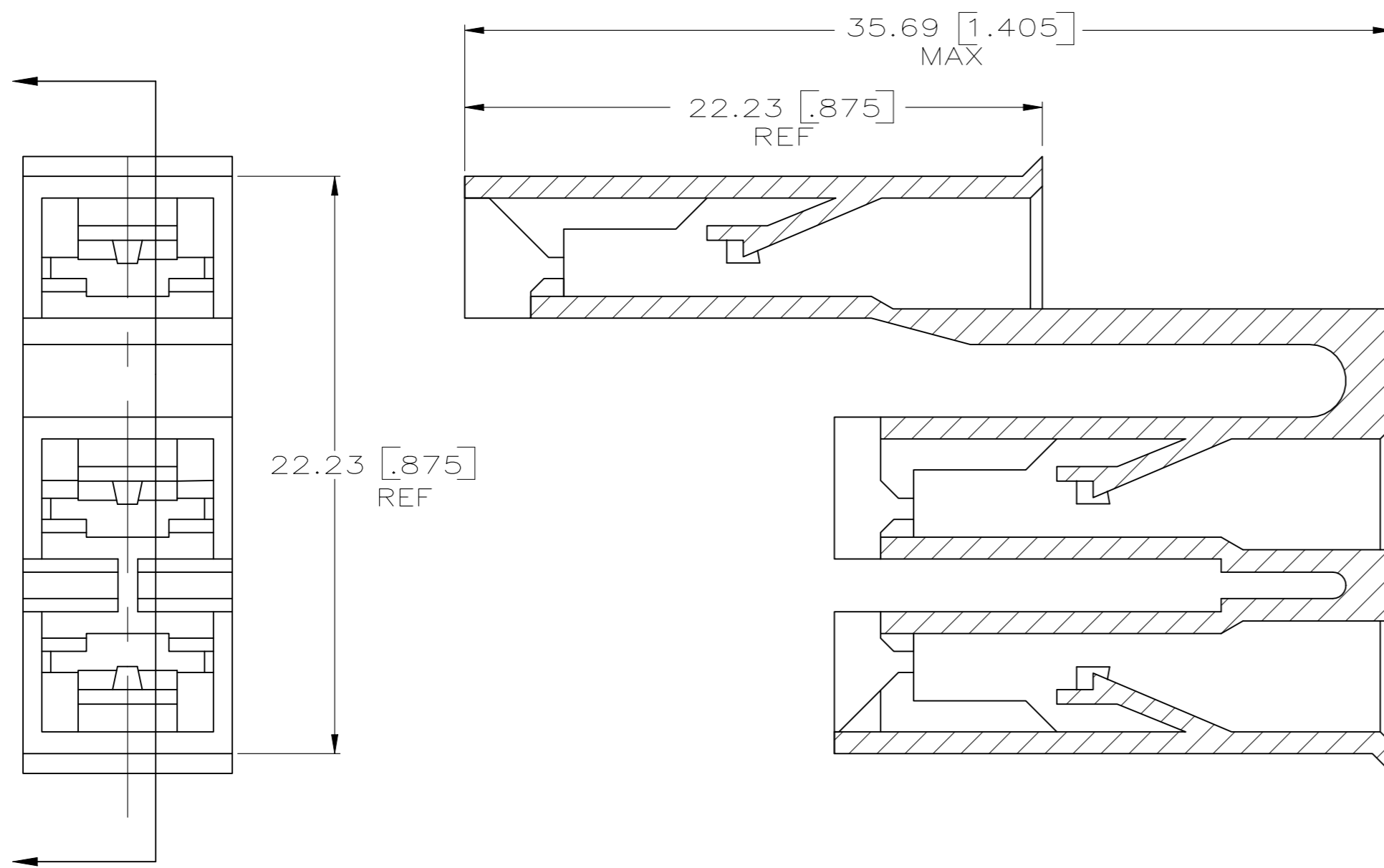


THIS DRAWING IS UNPUBLISHED. RELEASED FOR PUBLICATION  
 © COPYRIGHT - By -TE ALL RIGHTS RESERVED.

| REVISIONS |     |                           |           |     |      |
|-----------|-----|---------------------------|-----------|-----|------|
| P         | LTR | DESCRIPTION               | DATE      | DWN | APVD |
|           | BB  | REVISED PER ECR-23-167184 | 28FEB2023 | SS  | RE   |



- 1 DIMENSIONS IN BRACKETS ARE IN INCHES.
- 2 HOUSING TO BE USED WITH THE FOLLOWING TERMINALS; 42452, 42453, 42373, 42374, 42617, 60487, 60573, 60214, 60621, 61017, 61079, 61084, 61124, 61919, 60831, 62138.
- 3 3 POSITION MICRO SWITCH HOUSING TO BE USED WITH MATCHING CENTERLINE 3 POSITION MICRO SWITCHES. CONTACT TE PRODUCT ENGINEERING TO REVIEW ANY APPLICATION WHERE COMPATIBILITY IS IN QUESTION.

- △ 4 COUNTRY OF ORIGIN AND VENDOR CODE
- △ 5 PRELIMINARY - NOT FOR PRODUCTION

| DISCONTINUED | FINISH   | MATERIAL  | PART NO      |
|--------------|----------|---|--------------|
|              | NATURAL  | 6/6 NYLON, V0   | △ 5 360010-6 |
| OBSOLETE     | NATURAL  | POLYAMIDE, UL 94, V2, 130°C ACCORDING TO IEC 60335-1, GLOW WIRE | 360010-5     |
| OBSOLETE     | BLACK    | 6/6 NYLON, V0, 150°C  | 360010-4     |
| OBSOLETE     | DYED RED | 6/6 NYLON   | 360010-3     |
| OBSOLETE     | NATURAL  | 6/6 NYLON, V0, 120°C  | 360010-2     |
|              | NATURAL  | 6/6 NYLON, V2, 130°C  | 360010-1     |

|   |  |                  |          |         |          |   |           |            |               |  |
|---|--|------------------|----------|---------|----------|---|-----------|------------|---------------|--|
| THIS DRAWING IS A CONTROLLED DOCUMENT.  |  | DWN              | JR RUTH  | 5/21/87 |          | TE Connectivity                                     |           |            |               |  |
| DIMENSIONS: mm [INCHES]   |  | CHK              | MS FEHER | 5/27/87 |          | HOUSING, RECEPTACLE, FASTON, .187 SERIES, 3 CIRCUIT |           |            |               |  |
| TOLERANCES UNLESS OTHERWISE SPECIFIED:  |  | APVD             | C MEYERS | 5/27/87 |          |   |           |            |               |  |
| 0 PLC ± -<br>1 PLC ± -<br>2 PLC ± -<br>3 PLC ± 0.38 [.015]<br>4 PLC ± -<br>ANGLES ± - |  | PRODUCT SPEC     |          | NAME    |          | SIZE  | CAGE CODE | DRAWING NO | RESTRICTED TO |  |
| MATERIAL SEE TABLE  |  | FINISH SEE TABLE |          | WEIGHT  | 0.000000 | A2  | 00779     | C=360010   | -             |  |
| CUSTOMER DRAWING  |  |                  |          | SCALE   | 1:1      | SHEET   | 1 OF 1    | REV        | BB            |  |