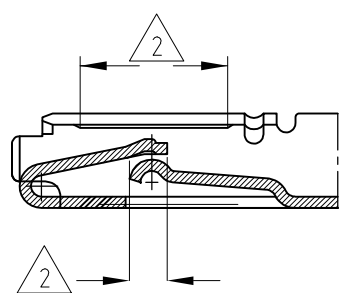
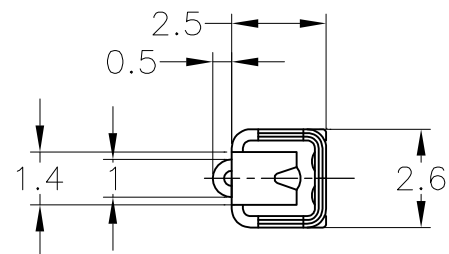


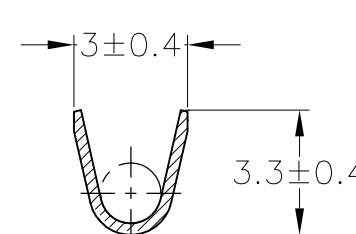
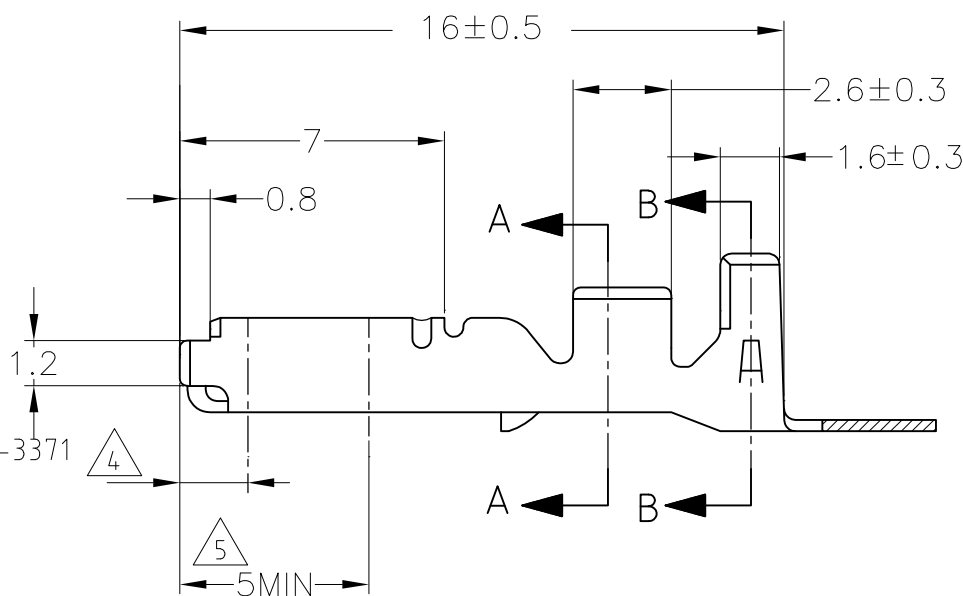
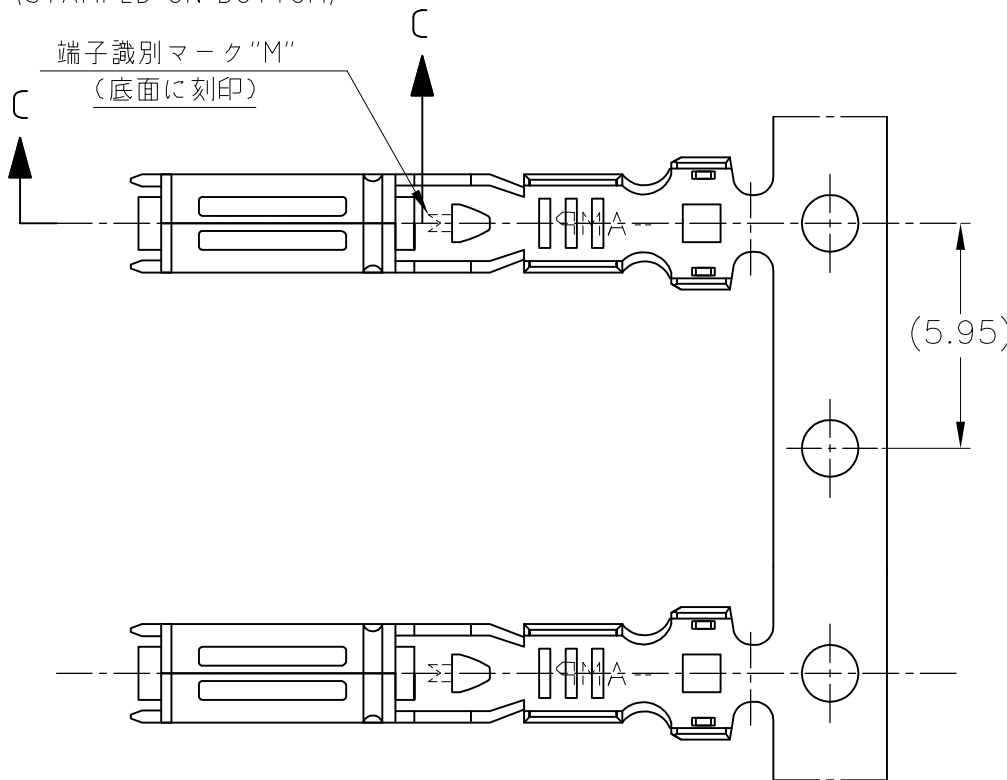
WIRE RANGE ID MARK
("M" SIZE MARK)
(STAMPED ON BOTTOM)

端子識別マーク "M"
(底面に刻印)

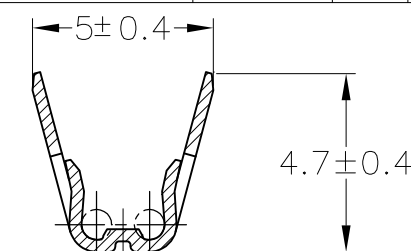
REVISIONS 変更					
P	LTR	DESCRIPTION	DATE	DWN	APVD
	F1	REVISED	ECR-19-018615	17JUL2020	DM HK



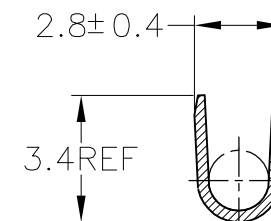
断面 C-C
SECT C-C



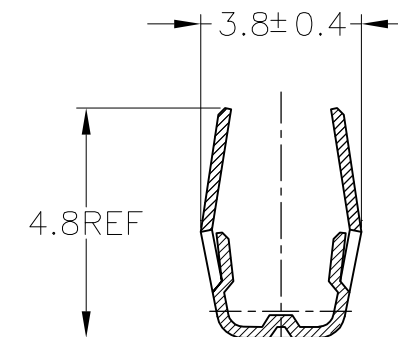
断面 A-A
SECT A-A



断面 B-B
SECT B-B



断面 A-A
SECT A-A
(175027のみ適用)
(ONLY 175027)



断面 B-B
SECT B-B
(175027のみ適用)
(ONLY 175027)

1. 製品規格; 108-5216, 108-5231, 108-5264, 108-3371

2. 部分金めっき

3. 取付適用規格; 114-5091

4. 識別用金めっき (全周)

5. 部分金めっき (両側のみ)

1. SPEC; 108-5216, 108-5231, 108-5264, 108-3371

2. SELECTIVE GOLD PLATING

3. APPLICATION SPEC; 114-5091

4. GOLD PLATING FOR DISCERNMENT (ALL AROUND)

5. SELECTIVE GOLD PLATING (ONLY BOTH SIDES OF THE BOX)

TOLERANCE UNLESS OTHERWISE SPECIFIED: 一般公差	
0 < x ≤ 10	: ±0.2
10 < x ≤ 30	: ±0.25
30 < x ≤ 100	: ±0.3
ANGLE	: ±3°

THIS DRAWING IS A CONTROLLED DOCUMENT.

DIMENSIONS: 単位: 耗 mm	TOLERANCES UNLESS OTHERWISE SPECIFIED: 一般公差
	0 PLC ± -
	1 PLC ± -
	2 PLC ± -
	3 PLC ± -
	4 PLC ± -
	ANGLES ± -
MATERIAL 材料	FINISH 仕上
SEE TABLE	SEE TABLE

WIRE RANGE
0.5~1.25mm²
(AWG#20-#16)

INSULATION DIA.
2~2.6mmφ

DWN	M.SUGAWARA	12MAY06
CHK	T.SHINOHARA	12MAY06
APVD	K.BETSUI	12MAY06
PRODUCT SPEC	製品規格	SEE NOTE 1
APPLICATION SPEC	取付適用規格	SEE NOTE 3
WEIGHT	-	

SEE DRAWING 173631-8			
175027-7	部分金めっき SELECTIVE GOLD	リン青銅 板厚0.3 PHOS BRO. ±0.3	173631-7
175027-6	錫めっき済み PRE-TINNED	銅合金 板厚0.3 COPPER ALLOY ±0.3	173631-6
175027-2	部分金めっき SELECTIVE GOLD	黄銅 板厚0.3 BRASS ±0.3	173631-2
175027-1	錫めっき済み PRE-TINNED	黄銅 板厚0.3 BRASS ±0.3	173631-1
パラ端子型番 L/P NUMBER	仕上 FINISH	材料 MATERIAL	型番 PART NUMBER
CUSTOMER DRAWING		SCALE 尺度 5:1	SHEET 1 OF 1
		DRAWING NO 番号 C-173631	RESTRICTED TO -
		REV F1	



070 SERIES RECEPTACLE CONTACT