

## LTC4053EMSE-4.2 Lithium-Ion Linear Battery Charger with Thermal Regulation

### DESCRIPTION

Demonstration circuit DC705 is a complete constant-current, constant-voltage battery charger designed to charge one Lithium-Ion cell. The LTC<sup>®</sup>4053EMSE-4.2 used on this demo circuit features an internal P-channel power MOSFET with a unique thermal feedback loop that reduces the output current under high ambient temperature and/or high power dissipation conditions. This feature allows the charger to provide higher charge currents under normal conditions and still provide safe charging under abnormal conditions such as high ambient temperature, high input voltage or low battery voltage. The IC is available in a 10-pin MSOP thermally enhanced package featuring an exposed bottom-side metal pad for soldering to the PC board.

Other features include:

- Preset float voltage of 4.2V  $\pm$ 1%
- 1A and 0.5A constant current selected by a jumper
- Capable of charging directly from USB power
- 3-hour charge termination timer. This timer can be set for other time periods through a capacitor change. For instance, you may want to use a much shorter period (on the order of 30 seconds) when evaluating the board with a battery simulator instead of a real Li-Ion battery.
- Charge current monitor output can be used for gas gauging
- Manual shutdown
- Low battery drain current when input supply is removed
- No isolation diode or current sense resistor required

- C/10 trickle charge for deeply discharged batteries
- Auto recharge when battery voltage drops below pre-set threshold
- Input power OK LED indicator (ACPR)
- C/10 charge LED indicator (CHRG)
- Fault LED indicator for “out of temp range” (FAULT)

Small surface mount components are used to minimize board space and height with the circuitry occupying approximately 0.15 square inches of board space with a height of 0.054 inches (1.4mm).

**Table 1. Typical Demo Board Specifications**

Input Voltage Range $V_{IN}$	4.25V to 7V (Upper Range Limited by PC Board Dissipation)
Output Voltage $V_{BAT}$ (Constant Voltage Mode)	4.2V $\pm$ 1%
Output Current $I_{BAT}$ (Constant Current Mode)	1A $\pm$ 8%, 0.5A $\pm$ 8% (Selected by Jumper)
Current Monitor Output	1.5V $\pm$ 5% at Full Current
Output Current $I_{BAT}$ (Trickle Current Mode)	100mA $\pm$ 20%, 50mA $\pm$ 20%
C/10 CHRG LED Threshold Level	100mA $\pm$ 20%, 50mA $\pm$ 25%
Circuit Board Temperature in Thermal Feedback Mode	60°C to 70°C
Trickle Charge Threshold Voltage	2.457V
Battery Drain Current with $V_{IN}$ Removed	< 1 $\mu$ A

**Design files for this circuit board are available at <http://www.linear.com/demo/DC705A>**

LT, LT, LTC, LTM, Linear Technology and the Linear logo are registered trademarks of Linear Technology Corporation. All other trademarks are the property of their respective owners.

## QUICK START PROCEDURE

To save time, we recommend using a battery simulator (described in Table 2 and Figure 1) If an actual rechargeable Li-Ion battery is used, keep the DC resistance between the charger and the battery to a minimum, as this will affect the charge current in the constant voltage mode.

**Table 2. Test Equipment Required for Demo Board Evaluation**

Lab power supply for input power	0 to 7V, 1.2A
Digital voltmeter for measuring input voltage ( $V_{IN}$ )	3 1/2 digits
Digital voltmeter for measuring battery voltage ( $V_{BAT}$ )	4 1/2 digits, resolution to 1mV
Digital voltmeter for measuring PROG pin voltage (current monitor)	3 1/2 digits, resolution to 1mV
Digital voltmeter for measuring voltage across current sense resistor ( $I_{BAT}$ )	100mV range
4.2V rechargeable Li-Ion cell or battery simulator	600mA/Hr to 1.3A/Hr

**Battery Simulator Consists of:**

Power supply with coarse and fine output voltage adjust controls	0 to 5V, 2.5A
Power resistor (preload for power supply)	2 $\Omega$ , 10W
Current sense resistor for measuring charge current	0.1 $\Omega$ , 1%, 1W
Current sense resistor for measuring battery drain current	1k, 1%, 0.5W

## SETUP

Refer to Table 2 and Figure 1 for equipment requirements and proper setup.

1. Set jumper JP1 to the “RUN” position (lower position).
2. Set jumper JP2 to the lower position, which programs the constant charge current to 1A.
3. Set the input power supply to 0V, and then connect it to the  $V_{IN}$  and GND pins of the demo board.
4. Set the battery simulator to 0V, and then connect it to the BAT and GND pins.
5. Connect the digital voltmeters as shown in the setup diagram to measure  $V_{IN}$ , V(current monitor), charge voltage ( $V_{BAT}$ ) and the charge current ( $I_{BAT}$ ).

QUICK START PROCEDURE

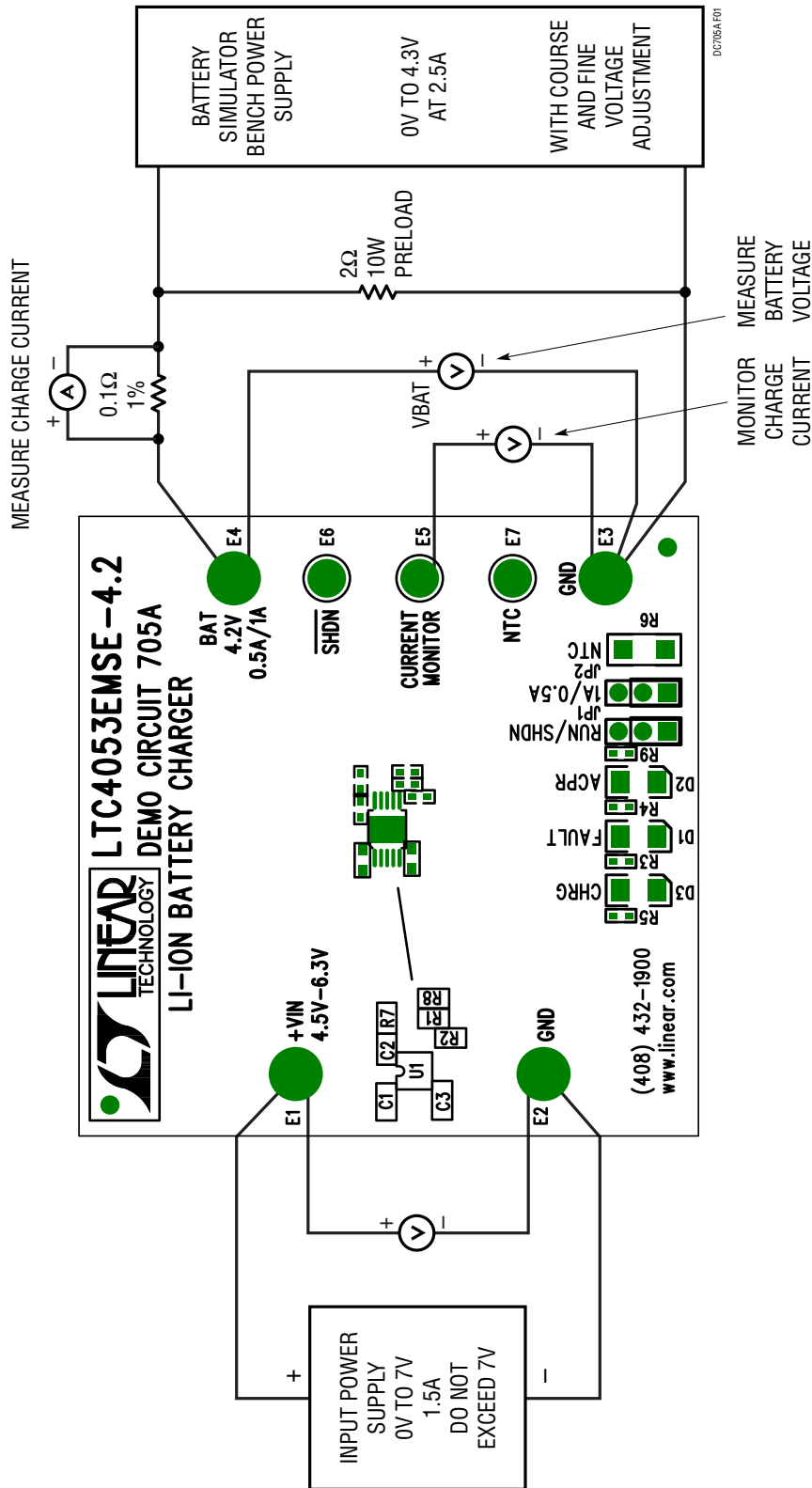


Figure 1. Proper Measurement Equipment Setup

## QUICK START PROCEDURE

### EVALUATION

#### Undervoltage Lockout Feature

- Increase the input power supply to approximately 3.8V (battery simulator power supply set for 0V).

The charger output voltage and charge current should be 0V. All three LEDs should be off. The charger is in shutdown due to the undervoltage lockout feature.

#### Trickle Charge Current

- Increase the input voltage to 5V and keep the battery simulator power supply at 0V.

The CHRГ and ACPR LEDs should now be on, and the FAULT LED should be off. The charger output voltage ( $V_{BAT}$ ) should be approximately 240mV, and the charge current should be about 100mA (10mV on the charge current DVM). This is the trickle charge mode for a deeply discharged battery. Typically, a battery that has not been charged for a long time.

#### Constant Current Charge

- Starting at 0V, slowly increase the battery simulator power supply ( $V_{BAT}$ ), observing the charger's output voltage on the DVM.

When the charger's output voltage exceeds approximately 2.45V, the charger will suddenly enter the constant current portion of the charge cycle, resulting in an abrupt jump in the charge current to the programmed value of approximately 1.0A (100mV on the charge current DVM). This is constant current mode.

Move jumper JP2 to the upper position (0.5A) to reduce the charge current ( $I_{BAT}$ ) to 500mA, resulting in a reading of approximately 50mV on the charge current DVM. Move the jumper back to the original position.

#### VPROG Verification

- With 1.0A charge current flowing into the battery simulator, measure the current monitor pin voltage  $V_{PROG}$ . This voltage is proportional to charge current with 1.5V indicating full programmed current (1.0A).

#### Constant Voltage Charge

1. Continue slowly increasing the battery simulator power supply, thus simulating a battery accepting charge.

The charge current should remain at the programmed value of 1.0A until the charger output voltage is within approximately 10mV of the of the preset charge voltage, at which time the charge current will begin to decrease. This is the beginning of the constant voltage portion of the charge cycle.

2. Continue slowly increasing the battery simulator power supply until the charge current drops to approximately 200mA (20mV on the charge current DVM), then read the charger output voltage. This reading is the charger float voltage which should be  $4.2V \pm 40mV$ .

#### Shutdown

1. Move the SHDN/CHRГ jumper JP1 to the upper position.

This shuts the charger down dropping the charge current to 0mA. This is the shutdown mode.

2. Move the jumper back to the original location.

#### Charge LED, C/10 Charge Near Complete

- Continue to slowly increase the battery simulator power supply while observing the CHRГ LED. The LED will go out when the charge current drops to approximately 10% of the programmed charge current of 1.0A. This verifies that the C/10 output is operating correctly.

NOTE: The LED current drops from approximately 10mA when the LED is on, to approximately 25 $\mu$ A when the charge current drops to 10%, and drops to 0 $\mu$ A after the timer has timed out. (3 hours when a 0.1 $\mu$ F timing capacitor is used).

At C/10, when the CHRГ LED goes out, the battery is about 94% charged. The charger will continue charging for 3 hours (0.1 $\mu$ F timing capacitor) then stop, at which point the battery is 100% charged.

## QUICK START PROCEDURE

### Recharge

- After the timer has timed out, slowly decrease the battery simulator power supply. At around 4.05V, the 1.0A charge current should return. This is the Recharge Threshold Voltage.

NOTE: For evaluation purposes, the time can be decreased from the programmed 3 hours to approximately 30 seconds by reducing the timer capacitor (C3) from 0.1 $\mu$ F to 270pF.

### Sleep Mode

- To verify battery drain current in the sleep mode, remove the input supply voltage or shut the supply off, replace the 0.1 $\Omega$  current sense resistor with a 1k $\Omega$ , and set the battery simulator power supply to approximately 4V. The charge current DVM will now read battery drain current with 1mV/ $\mu$ A.

NOTE: On this demo board, the thermistor (R6) is replaced with a 10k $\Omega$  resistor. Because the board can get quite hot, the thermistor must be located near the battery, not on the PC board.

### Thermal Control Loop

1. Increase the input voltage to about 6.5V, and reduce the battery simulator power supply to around 3V.

This causes increased power dissipation, which raises the LTC4053 junction temperature. When the junction temperature reaches approximately 105°C, the charge current decreases enough to maintain the junction temperature at 105°C.

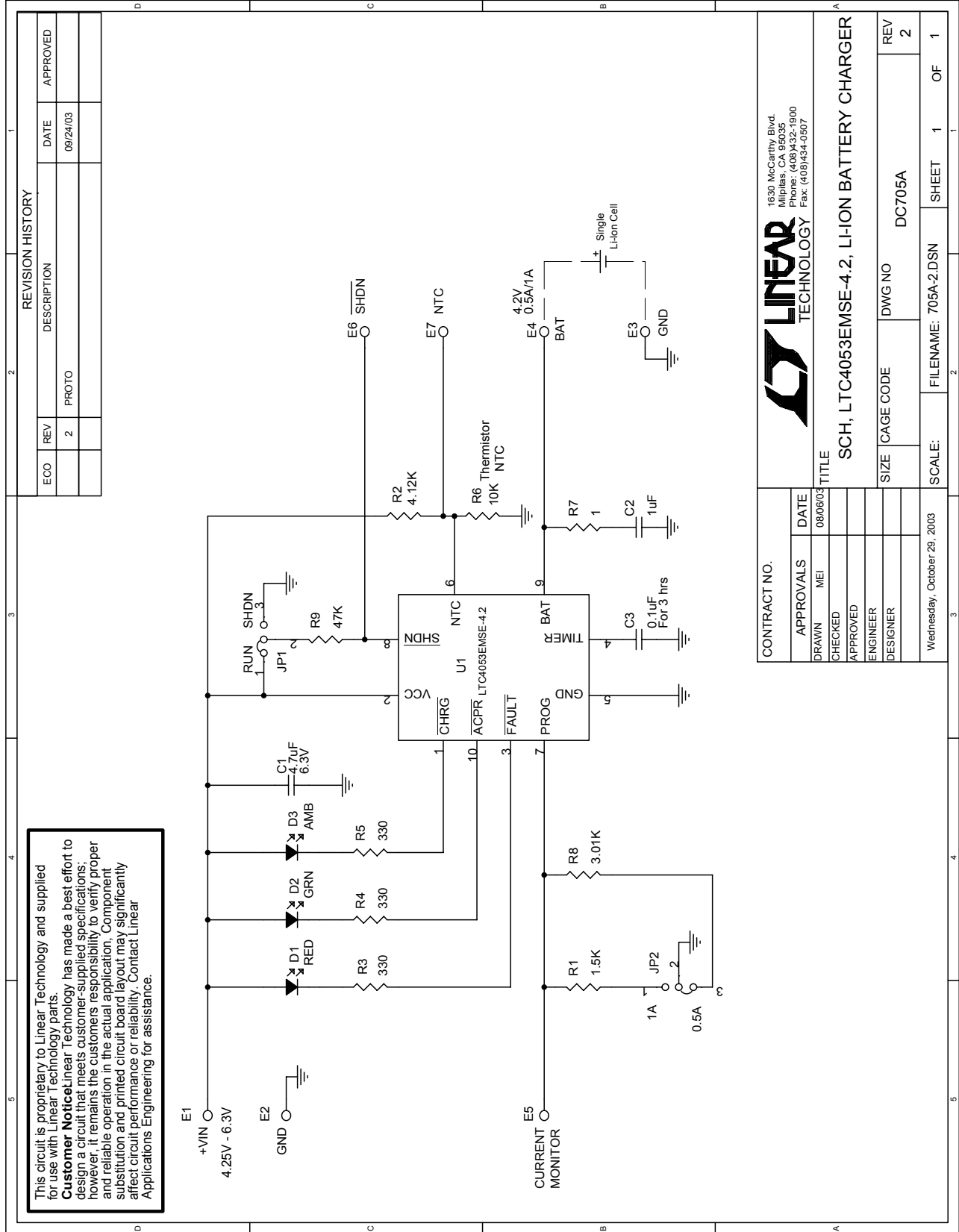
2. Increase the battery simulator voltage or reduce the input voltage to reduce the charger power dissipation and allow the charge current to return to the programmed current of 1A.

# DEMO MANUAL DC705A

## PARTS LIST

ITEM	QTY	REFERENCE	PART DESCRIPTION	MANUFACTURER/PART NUMBER
1	1	C1	CAP, X7R 4.7 $\mu$ F 10V 20% 0603	TDK C1608X5R0J475M
2	1	C2	CAP, X5R 1 $\mu$ F 6.3V 20% 0402	TDK C1005X5R0J105M
3	1	C3	CAP, X7R 0.1 $\mu$ F 16V 10% 0603	TAIYO YUDEN EMK107BJ104KA
4	1	D1	LED, RED	PANASONIC LN1251C-(TR)
5	1	D2	LED, GREEN	PANASONIC LN1351C-(TR)
6	1	D3	LED, AMBER	PANASONIC LN1451C-(TR)
7	4	E1, E2, E3, E4	TURRET	MILL-MAX 2501-2
8	3	E5, E6, E7	TURRET	TP\MMX\2308-2
9	2	JP2, JP1	HEADER, 3 PIN 2mm	COMM CON 2802S-03-G1
10	2	JP2, JP1	SHUNT, 2mm	COMM CON CCIJ2MM-138G
11	1	R1	RES, 1.50k $\Omega$ 1% 1/16W 0402	AAC CR05-1501FM
12	1	R2	RES, 4.12k $\Omega$ 1% 1/16W 0402	AAC CR05-4121FM
13	3	R3, R4, R5	RES, 330 $\Omega$ 5% 1/16W 0402	AAC CR05-331JM
14	1	R6	RES, 10k $\Omega$ 5% 1/4W 1206	AAC CR18-103JM
15	1	R7	RES, 1 $\Omega$ 5% 1/16W 0402	AAC CR05-1R0JM
16	1	R8	RES, 3.01k $\Omega$ 1% 1/16W 0402	CR05-3011FM
17	1	R9	RES, 47k $\Omega$ 5% 1/16W 0402	AAC CR05-473JM
18	1	U1	IC, LTC4053EMSE-4.2	LINEAR TECH. LTC4053EMSE-4.2

**SCHEMATIC DIAGRAM**



This circuit is proprietary to Linear Technology and supplied for use with Linear Technology parts.  
**Customer Notice:** Linear Technology has made a best effort to design a circuit that meets customer-supplied specifications; however, it remains the customer's responsibility to verify proper and reliable operation in the actual application. Component substitution and printed circuit board layout may significantly affect circuit performance or reliability. Contact Linear Applications Engineering for assistance.

# DEMO MANUAL DC705A

---

## DEMONSTRATION BOARD IMPORTANT NOTICE

Linear Technology Corporation (LTC) provides the enclosed product(s) under the following **AS IS** conditions:

This demonstration board (DEMO BOARD) kit being sold or provided by Linear Technology is intended for use for **ENGINEERING DEVELOPMENT OR EVALUATION PURPOSES ONLY** and is not provided by LTC for commercial use. As such, the DEMO BOARD herein may not be complete in terms of required design-, marketing-, and/or manufacturing-related protective considerations, including but not limited to product safety measures typically found in finished commercial goods. As a prototype, this product does not fall within the scope of the European Union directive on electromagnetic compatibility and therefore may or may not meet the technical requirements of the directive, or other regulations.

If this evaluation kit does not meet the specifications recited in the DEMO BOARD manual the kit may be returned within 30 days from the date of delivery for a full refund. **THE FOREGOING WARRANTY IS THE EXCLUSIVE WARRANTY MADE BY THE SELLER TO BUYER AND IS IN LIEU OF ALL OTHER WARRANTIES, EXPRESSED, IMPLIED, OR STATUTORY, INCLUDING ANY WARRANTY OF MERCHANTABILITY OR FITNESS FOR ANY PARTICULAR PURPOSE. EXCEPT TO THE EXTENT OF THIS INDEMNITY, NEITHER PARTY SHALL BE LIABLE TO THE OTHER FOR ANY INDIRECT, SPECIAL, INCIDENTAL, OR CONSEQUENTIAL DAMAGES.**

The user assumes all responsibility and liability for proper and safe handling of the goods. Further, the user releases LTC from all claims arising from the handling or use of the goods. Due to the open construction of the product, it is the user's responsibility to take any and all appropriate precautions with regard to electrostatic discharge. Also be aware that the products herein may not be regulatory compliant or agency certified (FCC, UL, CE, etc.).

No License is granted under any patent right or other intellectual property whatsoever. **LTC assumes no liability for applications assistance, customer product design, software performance, or infringement of patents or any other intellectual property rights of any kind.**

LTC currently services a variety of customers for products around the world, and therefore this transaction **is not exclusive**.

**Please read the DEMO BOARD manual prior to handling the product.** Persons handling this product must have electronics training and observe good laboratory practice standards. **Common sense is encouraged.**

This notice contains important safety information about temperatures and voltages. For further safety concerns, please contact a LTC application engineer.

Mailing Address:

Linear Technology  
1630 McCarthy Blvd.  
Milpitas, CA 95035

Copyright © 2004, Linear Technology Corporation