

HDMI HIDER

 Check for Samples: [TMDS141](#)

FEATURES

- Supports 2.25 Gbps Signaling Rate for up to 1080p Resolutions Supporting 36-bits Per Pixel for Color Depth of 12-bits Per Color
- Compatible with HDMI 1.3a
- Integrated Receiver Termination
- 8-dB Equalizer Compensates Losses from 5-m or Longer HDMI Cables
- Selectable Output De-Emphasis Supports 1-m HDMI Transmission
- I²C™ Repeater Isolates Bus Capacitance at Both Ends
- High Impedance Outputs When Disabled
- TMDS Inputs HBM ESD Protection Exceeds 6 kV
- 3.3-V Supply Operation
- 40-Pin QFN Package (RHA)
- ROHS Compatible and 260°C Reflow Rated
- Accepts AC Couple DisplayPort Dual-Mode Signals and Translates Them into a HDMI1.3a Compatible TMDS Signal

APPLICATIONS

- Digital TV
- DVD Player
- Set-Top-Box
- Audio Video Receiver
- Digital Projector
- DVI or HDMI cable
- DisplayPort Level Translator

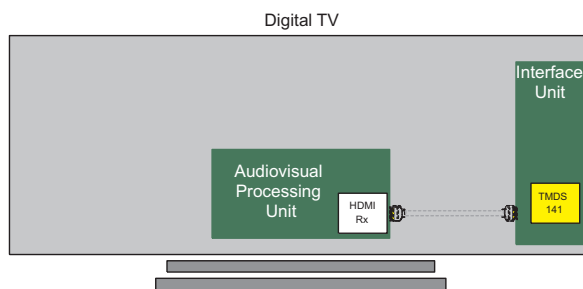
DESCRIPTION

The TMDS141 HDMI hider is designed to accommodate a 1-m HDMI cable between a HDMI connector and a receiver. The internal cable causes signal distortion to high-speed TMDS signals, as well as increasing capacitance to the DDC channel. Each TMDS141 contains four TMDS repeaters to transmit digital content with signaling rates of up to 2.25-Gbps, and an I²C repeater to link extended display identification data (EDID) reading and high-bandwidth digital content protection (HDCP) key exchange under I²C standard mode operations.

The device includes four TMDS compliant differential receivers with 50-Ω termination resistors and 3.3-V termination voltage integrated at each receiver input pin. External terminations are not required. A built-in frequency response equalization circuit, 8 dB at 825 MHz, compensates inter-symbol interference (ISI) losses from a 5-m or longer input cable link.

The device also includes four TMDS compliant differential drivers. A precision resistor is connected externally from the VSADJ pin to ground for setting the differential output voltage to be compliant with the TMDS standard. A selectable de-emphasis circuit is available via the PRE input to drive long PCB traces or cables. When PRE is high, the 3.5-dB high frequency gain offsets the losses due to the FR4 trace. PRE can be left open or kept low when the de-emphasis function is not desired.

Figure 1. TYPICAL APPLICATION



Please be aware that an important notice concerning availability, standard warranty, and use in critical applications of Texas Instruments semiconductor products and disclaimers thereto appears at the end of this data sheet.

PowerPAD is a trademark of Texas Instruments.

I²C is a trademark of Philips Electronics.

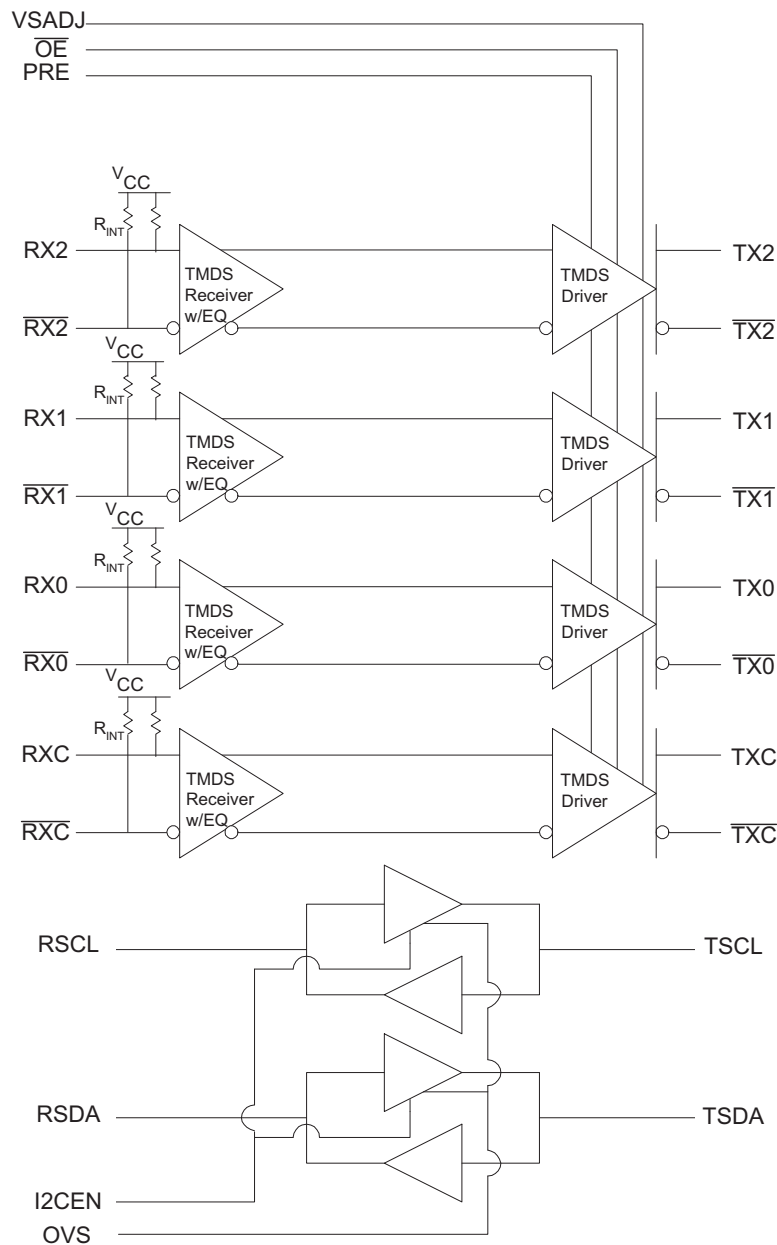


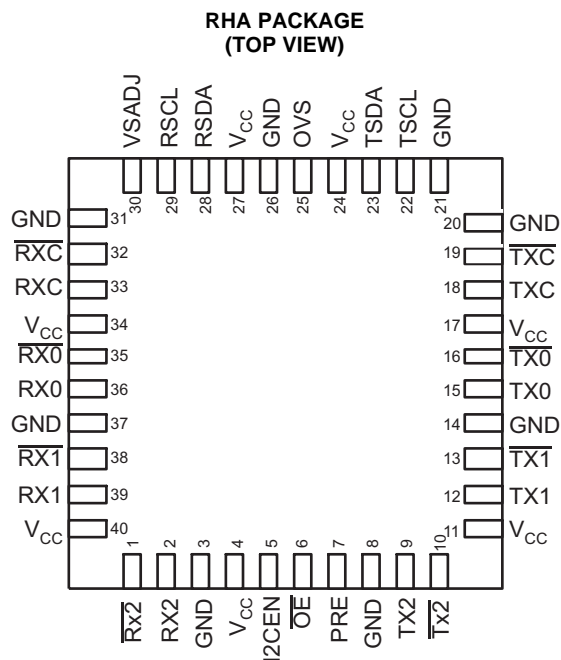
These devices have limited built-in ESD protection. The leads should be shorted together or the device placed in conductive foam during storage or handling to prevent electrostatic damage to the MOS gates.

DESCRIPTION CONTINUED

With standard TMDS terminations at the outputs, all TMDS outputs are forced high-impedance when \overline{OE} is set high. The I²C repeater isolates the buses without accumulating the capacitance of both sides. It allows DDC capacitance to be controlled under the desired load. The I²C outputs are high-impedance when device supply voltage is less than 1.5 V or I2CEN is low. The OVS pin, output voltage select, provides the flexibility of adjusting the output voltage level of the TSCL and TSDA side to optimize noise margins while interfacing to different HDMI receivers. The device is characterized for operation from 0°C to 70°C.

FUNCTIONAL BLOCK DIAGRAM

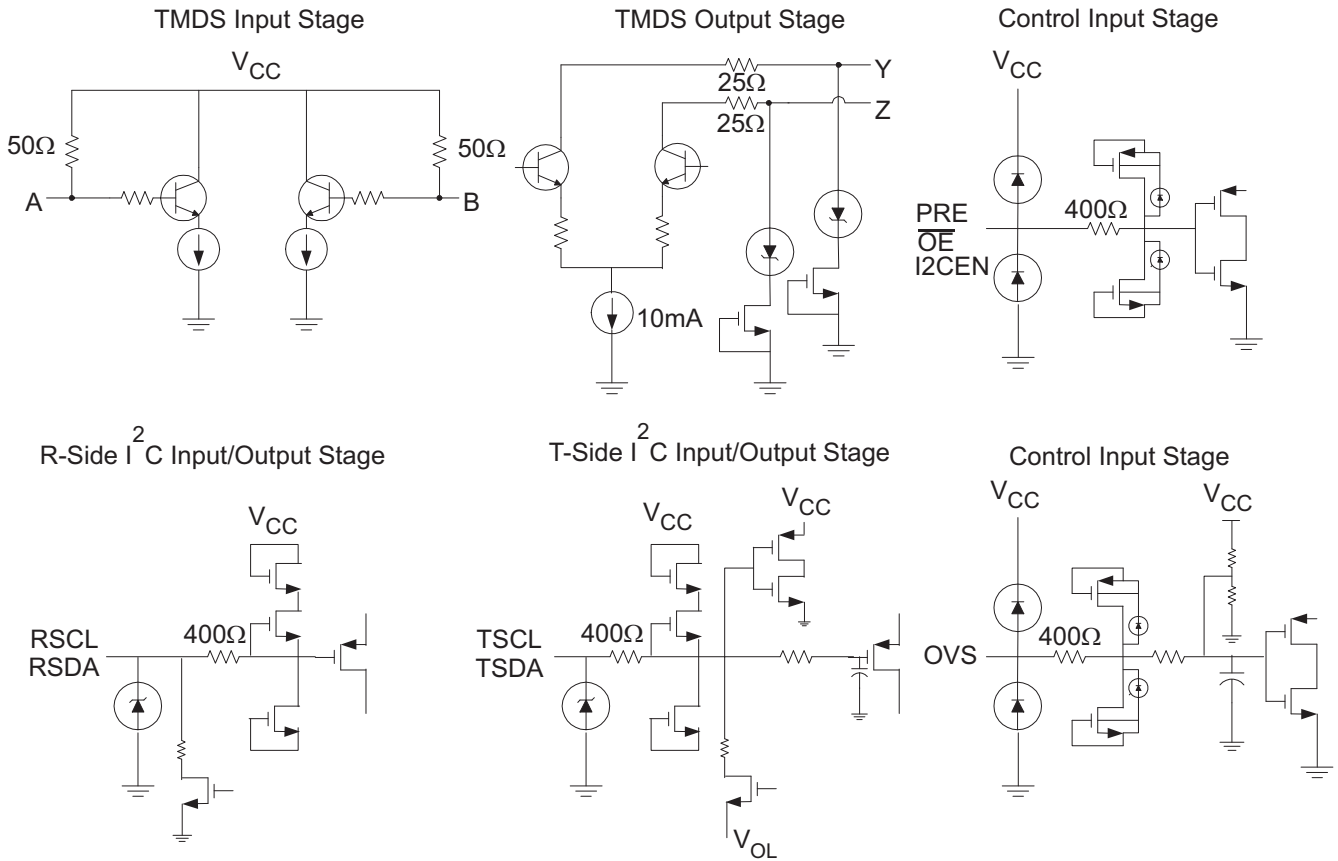




TERMINAL FUNCTIONS

TERMINAL		I/O	DESCRIPTION
NAME	NO.		
$\overline{\text{RX2}}, \overline{\text{RX1}}, \overline{\text{RX0}}, \overline{\text{RXC}}$	1, 38, 35, 32	I	TMDS Negative inputs
$\text{RX2}, \text{RX1}, \text{RX0}, \text{RXC}$	2, 39, 36, 33	I	TMDS Positive inputs
$\overline{\text{TX2}}, \overline{\text{TX1}}, \overline{\text{TX0}}, \overline{\text{TXC}}$	10, 13, 16, 19	O	TMDS Negative outputs
$\text{TX2}, \text{TX1}, \text{TX0}, \text{TXC}$	9, 12, 15, 18	O	TMDS Positive outputs
RSCL	29	I/O	DDC Bus clock line to source
RSDA	28	I/O	DDC Bus data line to source
TSCL	22	I/O	DDC Bus clock line to sink
TSDA	23	I/O	DDC Bus data line to sink
VSADJ	30	I	TMDS Compliant voltage swing control
I2CEN	5	I	I ² C Repeater enable Low: High-Z High: Active
OVS	25	I	TSCL/TSDA Output voltage select
$\overline{\text{OE}}$	6	I	TMDS Output enable Low: Active High: High-Z
PRE	7	I	TMDS Output de-emphasis adjustment Low: 0 dB High: 3.5 dB
V _{CC}	4, 11, 17, 24, 27, 34, 40		Power supply
GND	3, 8, 14, 20, 21, 26, 31, 37		Ground

EQUIVALENT INPUT AND OUTPUT SCHEMATIC DIAGRAMS



ORDERING INFORMATION⁽¹⁾

PART NUMBER	PART MARKING	PACKAGE
TMDS141RHAR	TMDS141	40-PIN QFN Tape/Reel

(1) For the most current package and ordering information, see the Package Option Addendum at the end of this document, or see the TI web site at www.ti.com.

ABSOLUTE MAXIMUM RATINGS

 over operating free-air temperature range (unless otherwise noted)⁽¹⁾

		UNIT	
V _{CC}	Supply voltage range ⁽²⁾	–0.5 V to 4 V	
Voltage range	RX, \overline{RX}	2.0 V to 4 V	
	TX, \overline{TX} , PRE, VSADJ, \overline{OE} , I2CEN, OVS, HPDn	–0.5V to 4 V	
	RSCL, RSDA, TSCL, TSDA	–0.5 V to 6 V	
Electrostatic discharge	Human body model ⁽³⁾	RX, \overline{RX}	±6 kV
		All pins	±4 kV
	Charged-device model ⁽⁴⁾ (all pins)	±1500 V	
	Machine model ⁽⁵⁾ (all pins)	±200 V	
Continuous power dissipation		See Dissipation Rating Table	

- (1) Stresses beyond those listed under *absolute maximum ratings* may cause permanent damage to the device. These are stress ratings only and functional operation of the device at these or any other conditions beyond those indicated under *recommended operating conditions* is not implied. Exposure to absolute-maximum-rated conditions for extended periods may affect device reliability.
- (2) All voltage values, except differential I/O bus voltages, are with respect to network ground terminal.
- (3) Tested in accordance with JEDEC Standard 22, Test Method A114-B
- (4) Tested in accordance with JEDEC Standard 22, Test Method C101-A
- (5) Tested in accordance with JEDEC Standard 22, Test Method A115-A

DISSIPATION RATINGS

PACKAGE	PCB JEDEC STANDARD	T _A ≤ 25°C	DERATING FACTOR ⁽¹⁾ ABOVE T _A = 25°C	T _A = 70°C POWER RATING
40-QFN RHA	Low-K ⁽²⁾	839.7 mW	8.39 mW/°C	461.8 mW
40-QFN RHA	High-K ⁽³⁾	3030.3 mW	30.3 mW/°C	1666.6mW

- (1) This is the inverse of the junction-to-ambient thermal resistance when board-mounted and with no air flow.
- (2) In accordance with the Low-K thermal metric definitions of EIA/JESD51-3
- (3) In accordance with the High-K thermal metric definitions of EIA/JESD51-7

THERMAL CHARACTERISTICS

over operating free-air temperature range (unless otherwise noted)

PARAMETER		TEST CONDITIONS		MIN	TYP	MAX	UNIT	
R _{θJB}	Junction-to-board thermal resistance				30.96		°C/W	
R _{θJC}	Junction- to-case thermal resistance				32.42		°C/W	
P _D	Device power dissipation	V _{IH} = V _{CC} , V _{IL} = V _{CC} - 0.5 V, R _T = 50 Ω, V _{CC} = AV _{CC} = 3.3V, R _{vsadj} = 4.64 kΩ	PRE = Low		344	370	mW	
			PRE = High		381	407		
		V _{IH} = V _{CC} , V _{IL} = V _{CC} - 0.6 V, R _T = 50 Ω, V _{CC} = 3.6 V, AV _{CC} = 3.3V, R _{vsadj} = 4.6 kΩ	PRE = Low				484	mW
			PRE = High				526	

RECOMMENDED OPERATING CONDITIONS

		MIN	NOM	MAX	UNIT
V_{CC}	Supply voltage	3	3.3	3.6	V
T_A	Operating free-air temperature	0		70	°C
TMDS DIFFERENTIAL PINS (RX/ RXC)					
V_{IC}	Input common mode voltage	$V_{CC}-400$		$V_{CC}+10$	mV
V_{ID}	Receiver peak-to-peak differential input voltage	150		1560	mVp-p
R_{VSADJ}	Resistor for TMDS compliant voltage swing range	4.6	4.64	4.68	k Ω
AV_{CC}	TMDS Output termination voltage, see Figure 2	3	3.3	3.6	V
R_T	Termination resistance, see Figure 2	45	50	55	Ω
	Signaling rate	0		2.25	Gbps
CONTROL PINS (PRE, \overline{OE}, I2CEN)					
V_{IH}	LVTTTL High-level input voltage	2		V_{CC}	V
V_{IL}	LVTTTL Low-level input voltage	GND		0.8	V
CONTROL PINS (OVS)					
V_{IH}	LVTTTL High-level input voltage	3		3.6	V
V_{IL}	LVTTTL Low-level input voltage	-0.5		0.5	V
I²C PINS (TSCL, TSDA)					
V_{IH}	High-level input voltage	$0.7V_{CC}$		5.5	V
V_{IL}	Low-level input voltage	-0.5		$0.3V_{CC}$	V
V_{ICL}	Low-level input voltage contention ⁽¹⁾	-0.5		0.4	V
I²C PINS (RSCL, RSDA)					
V_{IH}	High-level input voltage	2.1		5.5	V
V_{IL}	Low-level input voltage	-0.5		1.5	V

(1) V_{IL} specification is for the first low level seen by the SCL/SDA lines. V_{ICL} is for the second and subsequent low levels seen by the TSCL/TSDA lines.

ELECTRICAL CHARACTERISTICS

over recommended operating conditions (unless otherwise noted)

PARAMETER		TEST CONDITIONS	MIN	TYP ⁽¹⁾	MAX	UNIT
I _{CC}	Supply current	V _{IH} = V _{CC} , V _{IL} = V _{CC} - 0.4 V, R _T = 50 Ω, AV _{CC} = 3.3 V, R _{VSADJ} = 4.64 kΩ, 1.65-Gbps HDMI data pattern, 165-MHz Pixel clock, PRE = Low		108	130 ⁽²⁾	mA
P _D	Power dissipation	V _{IH} = V _{CC} , V _{IL} = V _{CC} - 0.4 V, R _T = 50 Ω, AV _{CC} = 3.3 V, R _{VSADJ} = 4.64 kΩ, 1.65-Gbps HDMI data pattern, 165-MHz Pixel clock, PRE = Low			497 ⁽²⁾	mW
TMDS DIFFERENTIAL PINS (TX, TXC)						
V _{OH}	Single-ended high-level output voltage	See Figure 3, AV _{CC} = 3.3 V, R _T = 50 Ω	AV _{CC} -10		AV _{CC} +10	mV
V _{OL}	Single-ended low-level output voltage		AV _{CC} -600		AV _{CC} -400	mV
V _{swing}	Single-ended output swing voltage		400		600	mV
V _{OD(O)}	Overshoot of output differential voltage				15%	2× V _{swing}
V _{OD(U)}	Undershoot of output differential voltage				25%	2× V _{swing}
ΔV _{OC(SS)}	Change in steady-state common-mode output voltage between logic states				5	mV
I _{(O)OFF}	Single-ended standby output current	0 V ≤ V _{CC} ≤ 1.5 V, AV _{CC} = 3.3 V, R _T = 50 Ω	-10		10	μA
V _{OD(pp)}	Peak-to-peak output differential voltage	See Figure 4, PRE = High, AV _{CC} = 3.3 V, R _T = 50 Ω	800		1200	mVp-p
V _{ODE(SS)}	Steady state output differential voltage with de-emphasis		600		820	
I _(OS)	Short circuit output current	See Figure 5	-12		12	mA
V _(open)	Single-ended input voltage under high impedance input or open input	I _I = 10 μA	V _{CC} -10		V _{CC} +10	mV
R _{INT}	Input termination resistance	V _{IN} = 2.9 V	45	50	55	Ω
CONTROL PINS (PRE, OE, I2CEN, OVS)						
I _{IH}	High-level digital input current	V _{IH} = 2 V or V _{CC}	-10		10	μA
I _{IL}	Low-level digital input current	V _{IL} = GND or 0.8 V	-10		10	μA
I²C PINS (TSCL, TSDA)						
I _{Ikg}	Input leakage current	V _I = 5.5 V	-50		50	μA
		V _I = V _{CC}	-10		10	
I _{OH}	High-level output current	V _O = 3.6 V	-10		10	μA
I _{IL}	Low-level input current	V _{IL} = GND	-40		40	μA
V _{OL}	Low-level output voltage	I _{OL} = 400 μA or 4 mA	OVS = NC ⁽³⁾	0.47	0.6	V
			OVS = GND ⁽³⁾	0.6	0.75	
			OVS = V _{CC} ⁽³⁾	0.75	0.95	
V _{OL} -V _{ILC}	Low-level input voltage below output low-level voltage level	Ensured by design	OVS = NC ⁽³⁾	70	mV	
			OVS = GND ⁽³⁾	220		
			OVS = V _{CC} ⁽³⁾	370		
C _{IO}	Input/output capacitance	V _I = 5.0 V or 0 V, Freq = 100 kHz			25	pF
		V _I = 3.0 V or 0 V, Freq = 100 kHz			10	
I²C PINS (RSCL, RSDA)						
I _{Ikg}	Input leakage current	V _I = 5.5 V	-50		50	μA
		V _I = V _{CC}	-10		10	
I _{OH}	High-level output current	V _O = 3.6 V	-10		10	μA
I _{IL}	Low-level input current	V _{IL} = GND	-10		10	μA
V _{OL}	Low-level output voltage	I _{OL} = 4 mA			0.2	V
C _I	Input capacitance	V _I = 5.0 V or 0 V, Freq = 100 kHz			25	pF
		V _I = 3.0 V or 0 V, Freq = 100 kHz			10	

(1) All typical values are at 25°C and with a 3.3-V supply.

 (2) The maximum rating is characterized under 3.6 V V_{CC} and 600 mV V_{ID}.

(3) The patent of the OVS pin is filed.

SWITCHING CHARACTERISTICS

over recommended operating conditions (unless otherwise noted)

PARAMETER		TEST CONDITIONS	MIN	TYP ⁽¹⁾	MAX	UNIT	
TMDS DIFFERENTIAL PINS (TX/TXC)							
t_{PLH}	Propagation delay time, low-to-high-level output	See Figure 3, $AV_{CC} = 3.3\text{ V}$, $R_T = 50\ \Omega$	100		500	ps	
t_{PHL}	Propagation delay time, high-to-low-level output		100		500	ps	
t_r	Differential output signal rise time (20% - 80%)		75		240	ps	
t_f	Differential output signal fall time (20% - 80%)		75		240	ps	
$t_{sk(p)}$	Pulse skew ($ t_{PHL} - t_{PLH} $) ⁽²⁾				50	ps	
$t_{sk(D)}$	Intra-pair differential skew, see Figure 6				35	ps	
$t_{sk(o)}$	Inter-pair channel-to-channel output skew ⁽³⁾				80	ps	
$t_{sk(pp)}$	Part-to-part skew ⁽⁴⁾				200	ps	
t_{en}	Enable time	See Figure 7			10	ns	
t_{dis}	Disable time				10	ns	
$t_{jit(pp)}$	Peak-to-peak output jitter from TXC, residual jitter ⁽⁵⁾	See Figure 8, RXC = 165-MHz clock, RX = 1.65-Gbps HDMI pattern, Input: 5m 28AWG HDMI cable, Output: 1m 28AWG HDMI cable, PRE = high		14	30	ps	
$t_{jit(pp)}$	Peak-to-peak output jitter from TX0 - TX2, residual jitter ⁽⁵⁾			30	88	ps	
$t_{jit(pp)}$	Peak-to-peak output jitter from TXC, residual jitter ⁽⁵⁾		See Figure 8, RXC = 225-MHz clock, RX = 2.25-Gbps HDMI pattern, Input: 5m 28AWG HDMI cable, Output: 1m 28AWG HDMI cable, PRE = high		25		ps
$t_{jit(pp)}$	Peak-to-peak output jitter from TX0 - TX2, residual jitter ⁽⁵⁾			42	88		
I2C PINS (RSCL, RSDA, TSCL, TSDA)							
t_{PLH}	Propagation delay time, low-to-high-level output TSCL/TSDA to RSCL/RSDA	See Figure 9, OVS = NC	204		459	ns	
t_{PHL}	Propagation delay time, high-to-low-level output TSCL/TSDA to RSCL/RSDA		35		120	ns	
t_{PLH}	Propagation delay time, low-to-high-level output RSCL/RSDA to TSCL/TSDA		194		351	ns	
t_{PHL}	Propagation delay time, high-to-low-level output RSCL/RSDA to TSCL/TSDA		35		120	ns	
t_r	TSCL/TSDA Output signal rise time		500		800	ns	
t_f	TSCL/TSDA Output signal fall time		30		72	ns	
t_r	RSCL/RSDA Output signal rise time		796		999	ns	
t_f	RSCL/RSDA Output signal fall time		20		72	ns	
t_{set}	Enable to start condition		See Figure 10		100		ns
t_{hold}	Enable after stop condition				100		ns

- (1) All typical values are at 25°C and with a 3.3-V supply.
- (2) $t_{sk(p)}$ is the magnitude of the time difference between t_{PLH} and t_{PHL} of a specified terminal.
- (3) $t_{sk(o)}$ is the magnitude of the difference in propagation delay times between any specified terminals of channel 2 to 4 of a device when inputs are tied together.
- (4) $t_{sk(pp)}$ is the magnitude of the difference in propagation delay times between any specified terminals of channel 2 to 4 of two devices, or between channel 1 of two devices, when both devices operate with the same source, the same supply voltages, at the same temperature, and have identical packages and test circuits.
- (5) Jitter specifications are ensured by design and characterization and measured in BER⁻¹²

PARAMETER MEASUREMENT INFORMATION

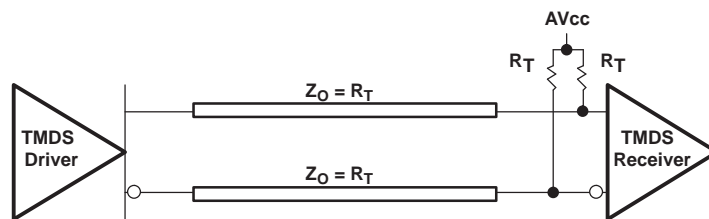
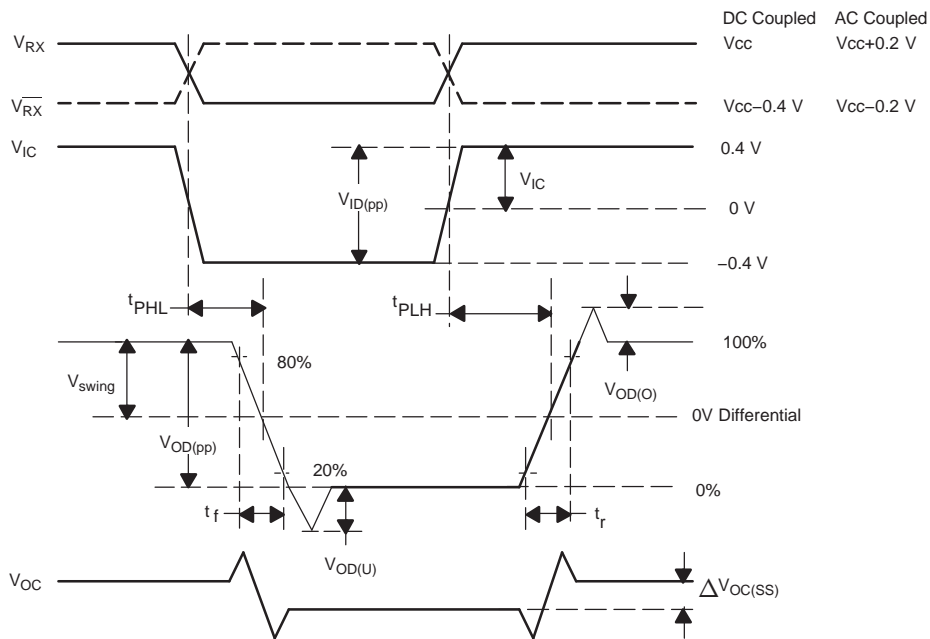
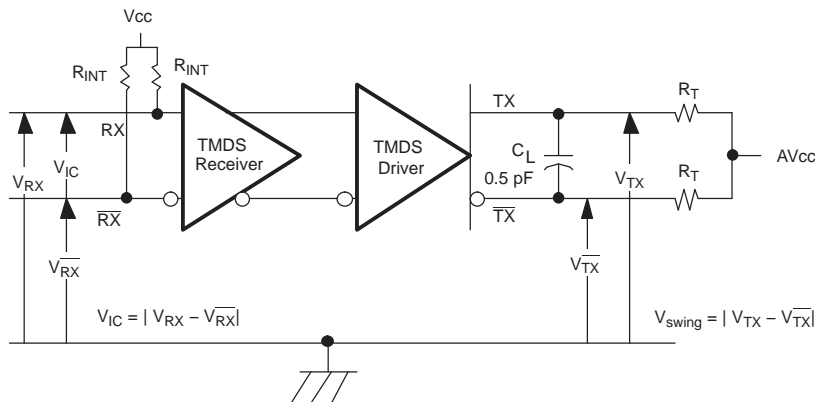


Figure 2. Typical Termination for TMDS Output Driver



NOTE: PRE = low. All input pulses are supplied by a generator having the following characteristics: t_r or $t_f < 100\text{ ps}$, 100 MHz from Agilent 81250. C_L includes instrumentation and fixture capacitance within 0.06 m of the D.U.T. Measurement equipment provides a bandwidth of 20 GHz minimum.

Figure 3. TMDS Timing Test Circuit and Definitions

PARAMETER MEASUREMENT INFORMATION (continued)

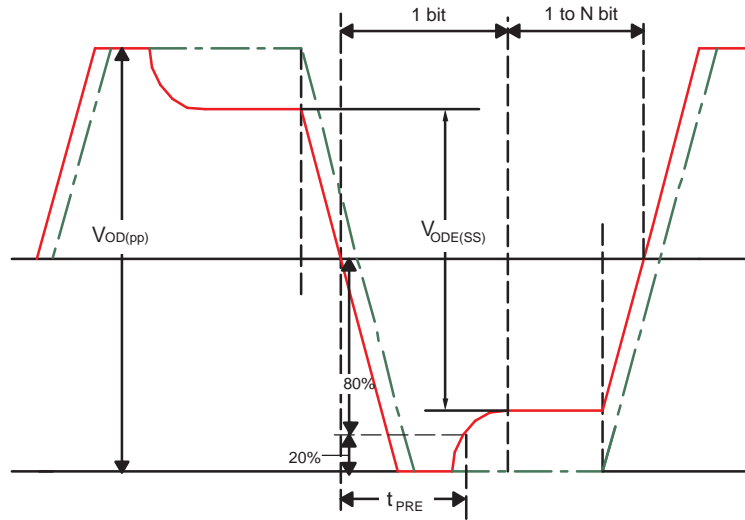


Figure 4. De-Emphasis Output Voltage Waveforms and Duration Measurement Definitions

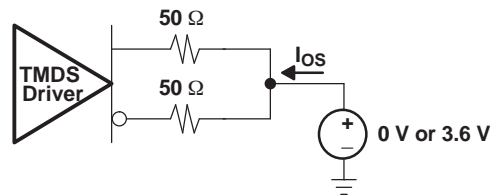


Figure 5. Short Circuit Output Current Test Circuit

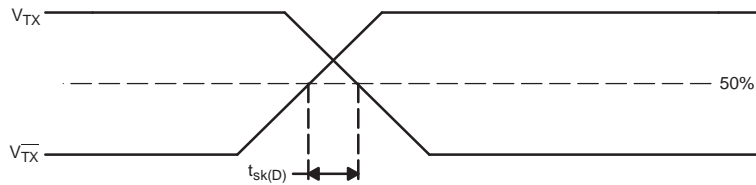


Figure 6. Definition of Intra-Pair Differential Skew

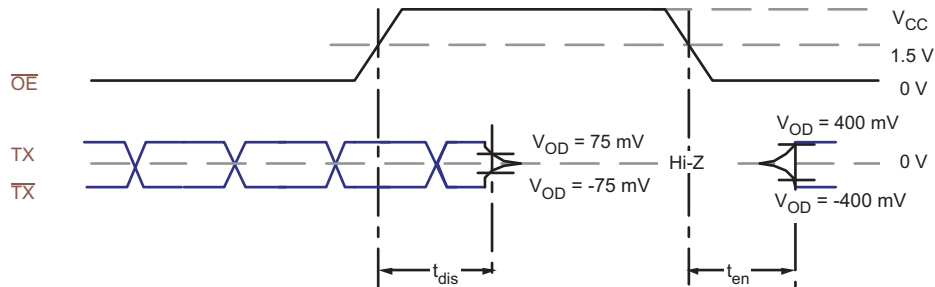
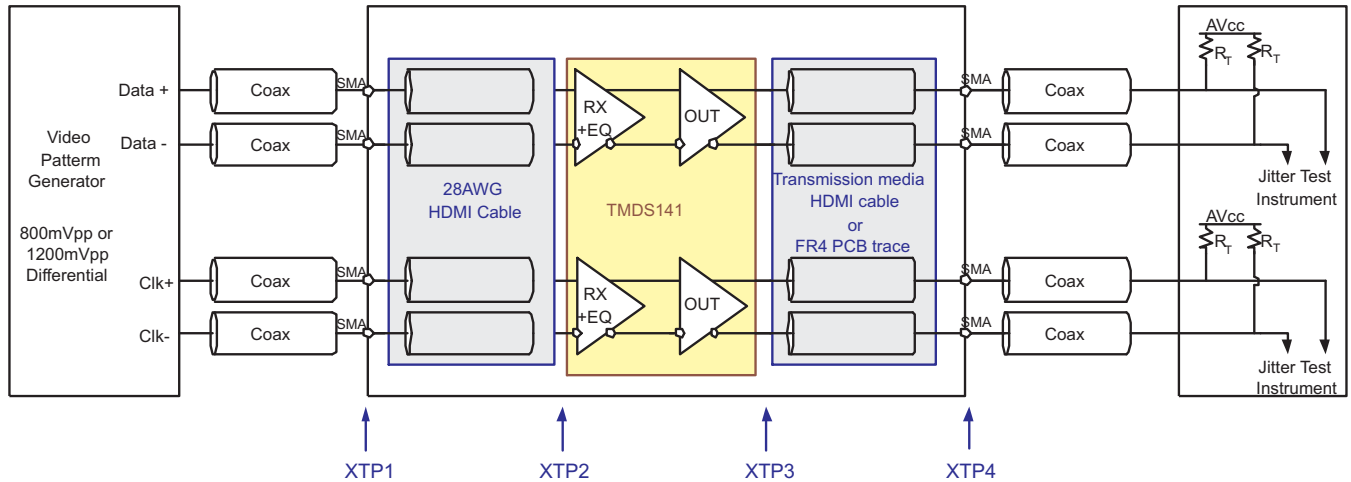


Figure 7. TMDS Enable and Disable Timing Definitions

PARAMETER MEASUREMENT INFORMATION (continued)



- A. All jitters are measured in BER of 10^{-12}
- B. The residual jitter reflects the total jitter measured at XTP4, subtract the total jitter at XTP1

Figure 8. Jitter Test Circuit

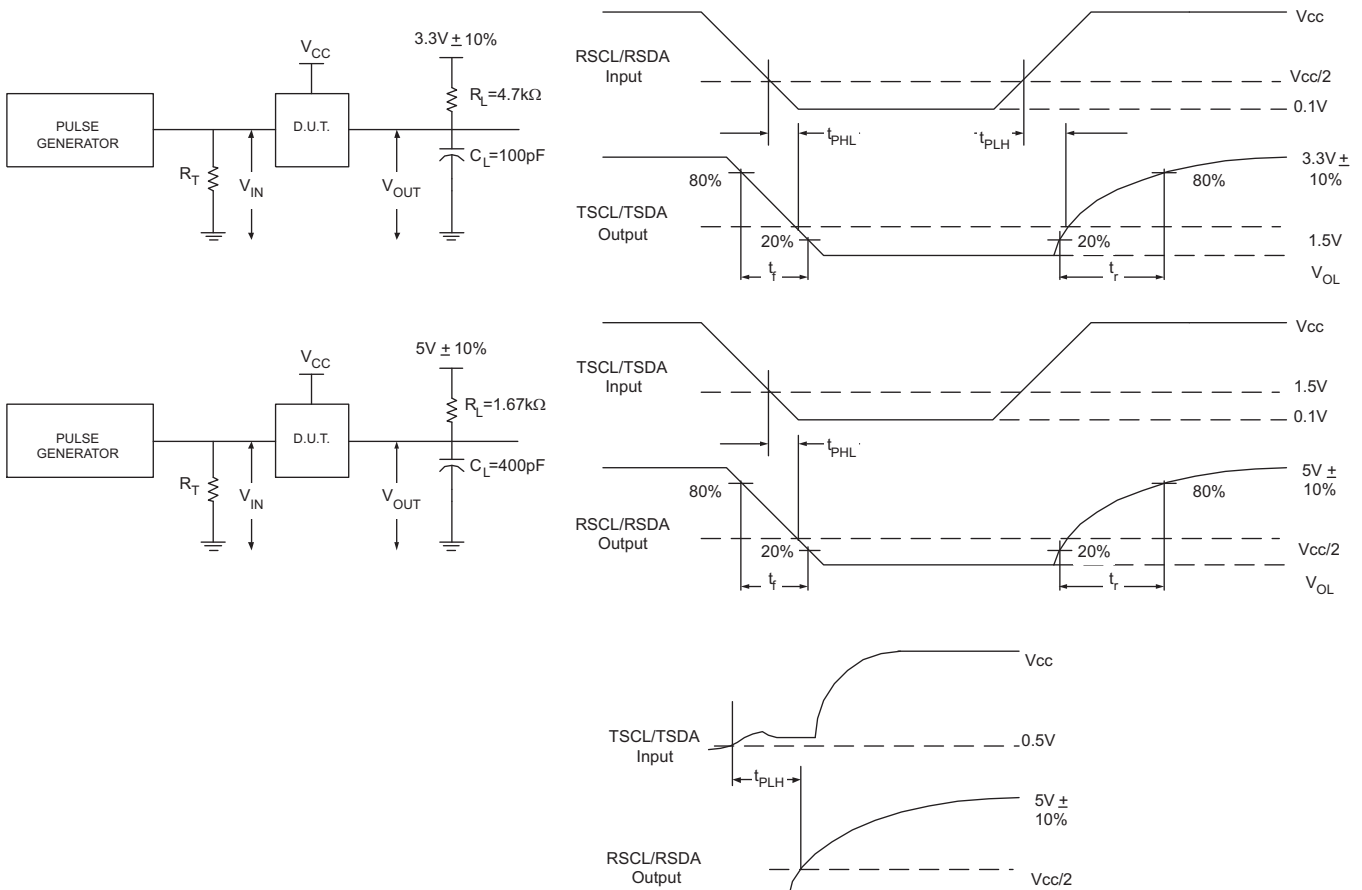


Figure 9. I²C Timing Test Circuit and Definition

PARAMETER MEASUREMENT INFORMATION (continued)

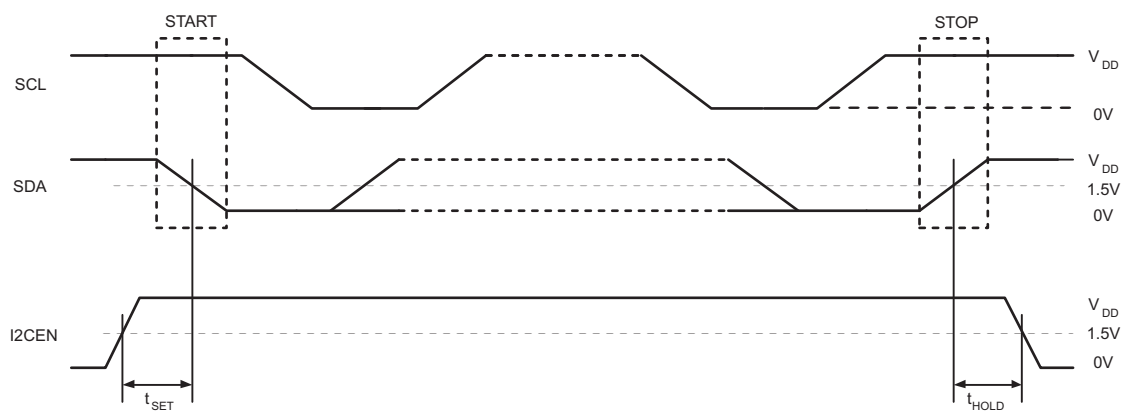
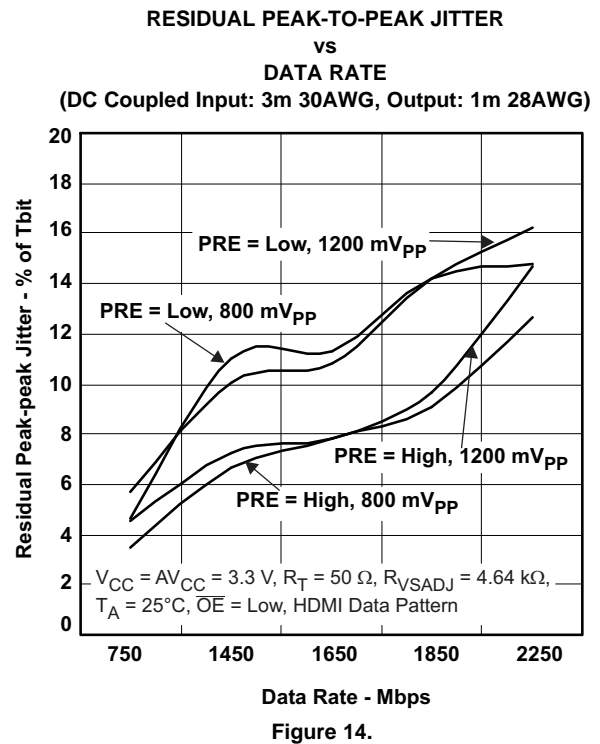
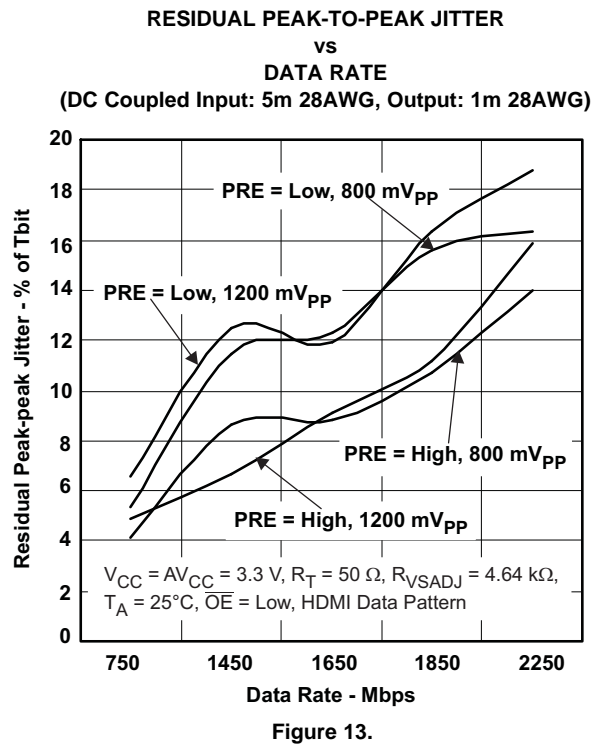
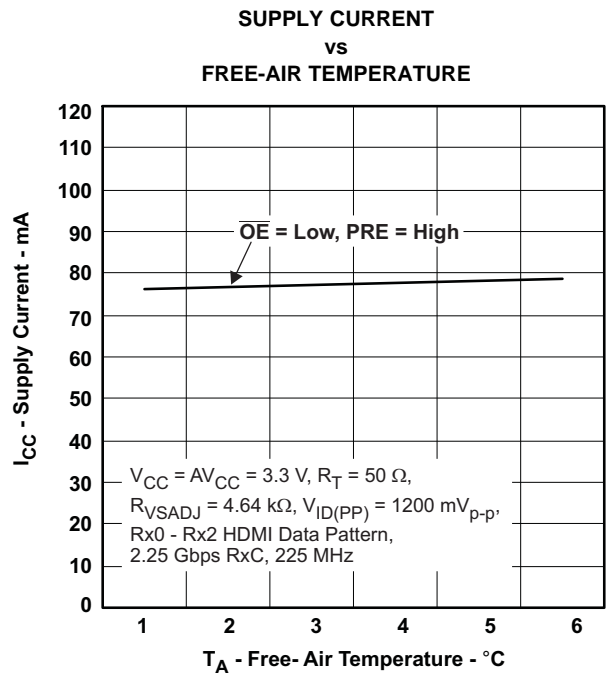
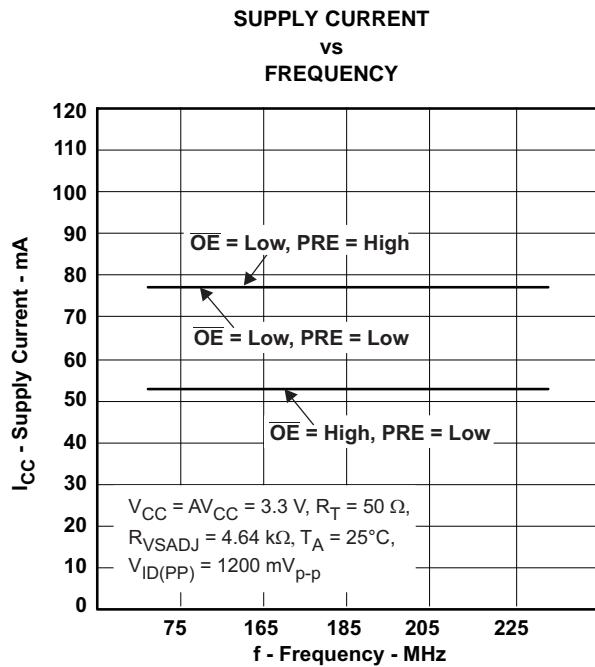
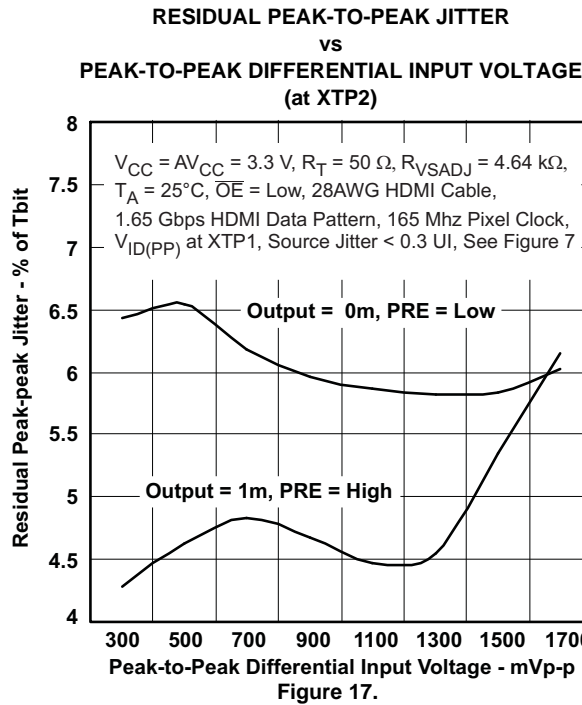
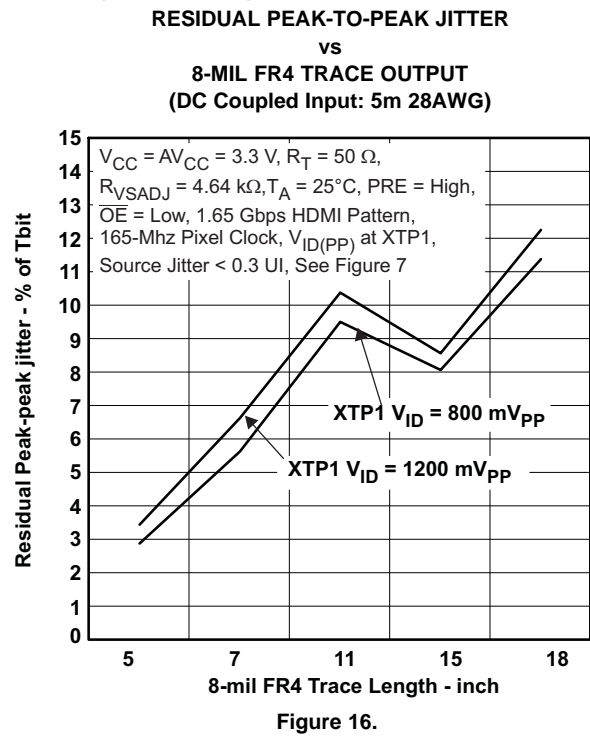
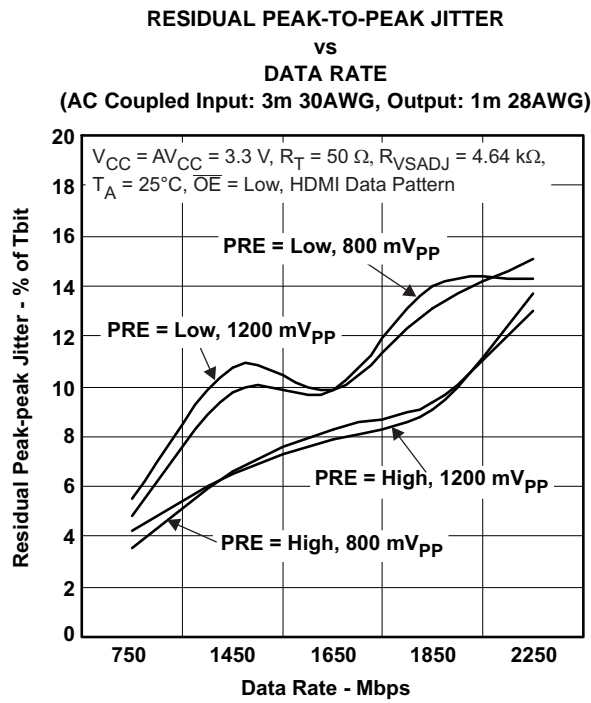


Figure 10. I²C Setup and Hold Definition

TYPICAL CHARACTERISTICS



TYPICAL CHARACTERISTICS (continued)



APPLICATION INFORMATION

Supply Voltage

All V_{CC} pins can be tied to a single 3.3-V power source. A 0.01- μ F capacitor is connected from each V_{CC} pin directly to ground to filter supply noise.

TMDS Inputs

Standard TMDS terminations are integrated on all TMDS inputs. External terminations are not required. Each input channel contains an 8-dB equalization circuit to compensate for cable losses. The voltage at the TMDS input pins must be limited per the absolute maximum ratings. An unused input should not be connected to ground as this would result in excessive current flow damaging the device. TMDS input pins do not incorporate failsafe circuits. An unused input channel can be externally biased to prevent output oscillation. The complementary input pin is recommended to be grounded through a 1-k Ω resistor and the other pin left open.

TMDS Outputs

A 1% precision resistor, 4.64-k Ω , connected from VSADJ to ground is recommended to allow the differential output swing to comply with TMDS signal levels. The differential output driver provides a typical 10-mA current sink capability, which provides a typical 500-mV voltage drop across a 50- Ω termination resistor.

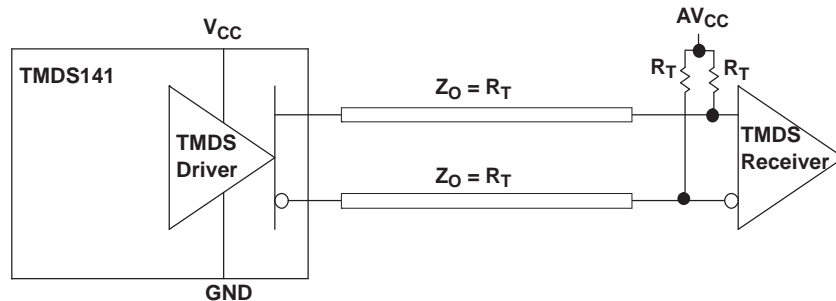


Figure 18. TMDS Driver and Termination Circuit

Referring to [Figure 18](#), if both V_{CC} (TMDS141 supply) and AV_{CC} (sink termination supply) are both powered, the TMDS output signals is high impedance when OEB = high. Both supplies being active is the normal operating condition.

Again refer to [Figure 18](#), if V_{CC} is on and AV_{CC} is off, the TMDS outputs source a typical 5-mA current through each termination resistor to ground. A total of 10-mW of power is consumed by the terminations independent of the OEB logical selection. When AV_{CC} is powered on, normal operation (OEB controls output impedance) is resumed.

When the power source of the device is off and the power source to termination is on, the $I_{O(off)}$, output leakage current, specification ensures the leakage current is limited 10- μ A or less.

The PRE pin provides 3dB de-emphasis, allowing output signal pre-conditioning to offset interconnect losses from the TMDS141 outputs to a TMDS receiver. PRE is recommended to be set low while connecting to a receiver throw short PCB route.

I²C Function Description

The RSCL/RSDA and TSCL/TSDA pins are 5-V tolerant when the device is powered off and high impedance under low supply voltage, 1.5 V or below. If the device is powered up and the I²C circuits are enabled, and I2CEN = high, the driver T (see [Figure 19](#)) is turned on or off depending up on the corresponding R side voltage level.

When the R side is pulled low below 1.5 V, the corresponding T side driver turns on and pulls the T side down to a low level output voltage, V_{OL} . The value of V_{OL} depends on the input to the OVS pin. When OVS is left floating

or not connected, V_{OL} is typically 0.5 V. When OVS is connected to GND, V_{OL} is typically 0.65 V. When OVS is connected to V_{CC} , V_{OL} is typically 0.8 V. V_{OL} is always higher than the driver R input threshold, V_{IL} , which is typically 0.4 V, preventing lockup of the repeater loop. The V_{OL} value can be selected to improve or optimize noise margins between V_{OL} and the V_{IL} of the repeater itself or the V_{IL} of some external device connected on the T side.

When the R side is pulled up, above 1.5 V, the T side driver turns off and the T side pin is high impedance.

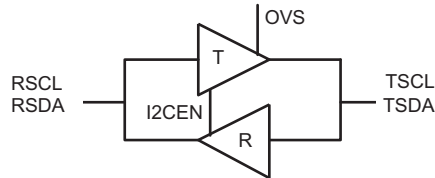


Figure 19. I²C Drivers in TMDS141

When the T side is pulled below 0.4 V by an external I²C driver, both drivers R and T are turned on. Driver R pulls the R side to near 0 V, and driver T is on, but is overridden by the external I²C driver. If driver T is already on, due to a low on the R side, driver R just turns on.

When the T side is released by the external I²C driver, driver T is still on, so the T side is only able to rise to the V_{OL} of driver T. Driver R turns off, since V_{OL} is above its 0.4-V V_{IL} threshold, releasing the R side. If no external I²C driver is keeping the R side low, the R side rises, and driver T turns off once the R side rises above 1.5 V, see Figure 20.

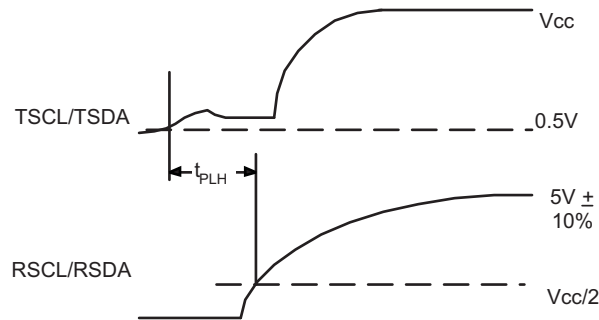


Figure 20. Waveform of Turning Driver T Off

It is important that any external I²C driver on the T side is able to pull the bus below 0.4 V to ensure full operation. If the T side cannot be pulled below 0.4 V, driver R may not recognize and transmit the low value to the R side.

I²C Enable

The I2CEN pin is active high with an internal pull-up to V_{CC} . It can be used to isolate a badly behaved slave during power up. It should never change state during an I²C operation because disabling during a bus operation may hang the bus and enabling part way through a bus cycle could confuse the I²C parts being enabled.

I²C Behavior

The typical application of the TMDS141 is as a repeater in a TV connecting the HDMI input connector and an internal HDMI Rx through flat cables. The I²C repeater is 5-V tolerant, and no additional circuitry is required to translate between 3.3-V to 5-V bus voltages. In the following example, the system master is running on an R-side I²C-bus while the slave is connected to a T-side bus. Both buses run at 100 kHz supporting standard-mode I²C operation. Master devices can be placed on either bus.

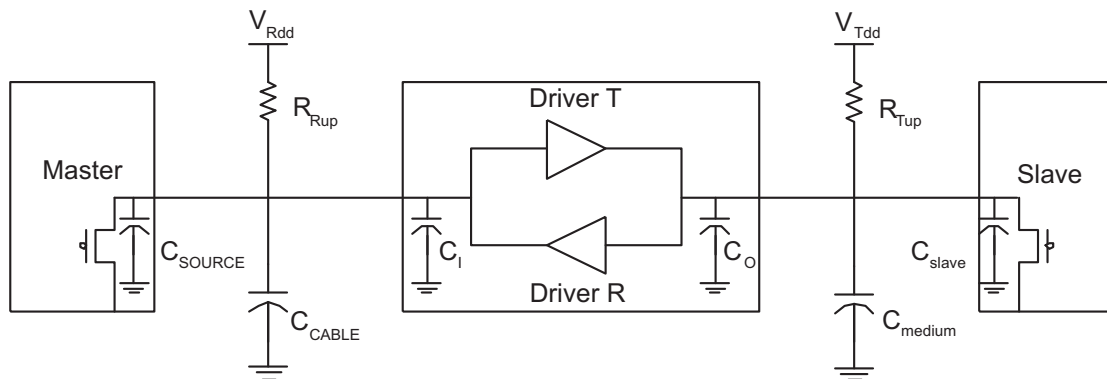


Figure 21. Typical Application

Figure 22 illustrates the waveforms seen on the R-side I²C-bus when the master writes to the slave through the I²C repeater circuit of the TMDS141. This looks like a normal I²C transmission, and the turn on and turn off of the acknowledge signals are slightly delayed.

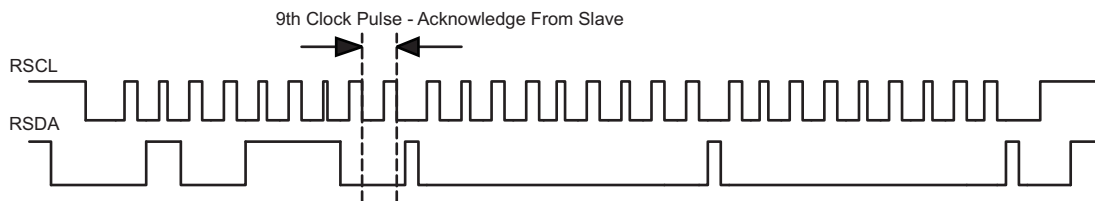


Figure 22. Bus R Waveform

Figure 23 illustrates the waveforms seen on the T-side I²C-bus under the same operation in Figure 22. On the T-side of the I²C repeater, the clock and data lines would have a positive offset from ground equal to the V_{OL} of the driver T. After the 8th clock pulse, the data line is pulled to the V_{OL} of the slave device which is very close to ground in this example. At the end of the acknowledge, the slave device releases and the bus level rises back to the V_{OL} set by the driver until the R-side rises above V_{CC}/2, after which it continues to high. It is important to note that any arbitration or clock stretching events require that the low level on the T-side bus at the input of the TMDS141 I²C repeater is below 0.4 V to be recognized by the device and then transmitted to the R-side I²C bus.

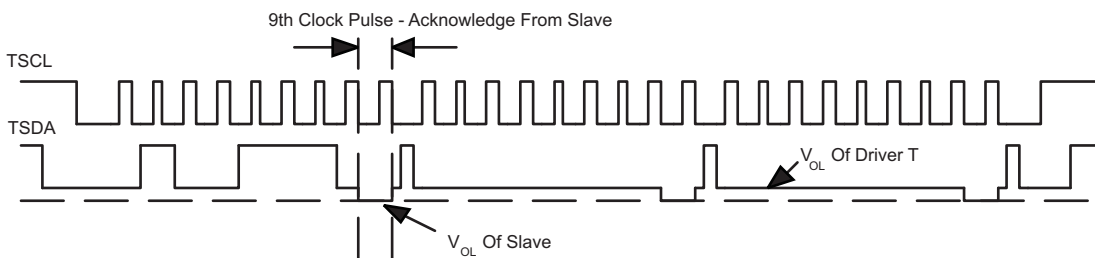


Figure 23. Bus T Waveform

The I²C circuitry inside the TMDS141 allows multiple stage operation as shown in Figure 24. I²C-Bus slave devices can be connected to any of the bus segments. The number of devices that can be connected in series is limited by repeater delay/time of flight considerations for the maximum bus speed requirements.

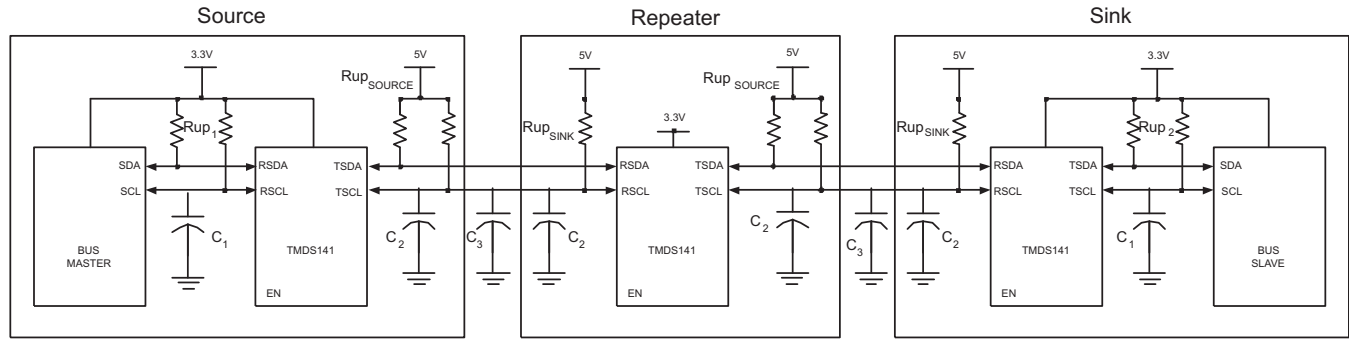


Figure 24. Typical Series Application

I²C Pull-up Resistors

The pull-up resistor value is determined by two requirements:

1. The maximum sink current of the I²C buffer:

The maximum sink current is 3 mA or slightly higher for an I²C driver supporting standard-mode I²C operation.

$$R_{up(min)} = V_{DD}/I_{sink} \tag{1}$$

2. The maximum transition time on the bus:

The maximum transition time, T, of an I²C bus is set by an RC time constant, where R is the pull-up resistor value, and C is the total load capacitance. The parameter, k, can be calculated from equation 3 by solving for t, the times at which certain voltage thresholds are reached. Different input threshold combinations introduce different values of t. Table 1 summarizes the possible values of k under different threshold combinations.

$$T = k \times RC \tag{2}$$

$$V(t) = V_{DD}(1 - e^{-t/RC}) \tag{3}$$

Table 1. Value k Upon Different Input Threshold Voltages

V _{th} -V _{th+}	0.7V _{DD}	0.65V _{DD}	0.6V _{DD}	0.55V _{DD}	0.5V _{DD}	0.45V _{DD}	0.4V _{DD}	0.35V _{DD}	0.3V _{DD}
0.1V _{DD}	1.0986	0.9445	0.8109	0.6931	0.5878	0.4925	0.4055	0.3254	0.2513
0.15V _{DD}	1.0415	0.8873	0.7538	0.6360	0.5306	0.4353	0.3483	0.2683	0.1942
0.2V _{DD}	0.9808	0.8267	0.6931	0.5754	0.4700	0.3747	0.2877	0.2076	0.1335
0.25V _{DD}	0.9163	0.7621	0.6286	0.5108	0.4055	0.3102	0.2231	0.1431	0.0690
0.3V _{DD}	0.8473	0.6931	0.5596	0.4418	0.3365	0.2412	0.1542	0.0741	-

From equation 1, R_{up(min)} = 5.5V/3mA = 1.83 kΩ to operate the bus under a 5-V pull-up voltage and provide less than 3 mA when the I²C device is driving the bus to a low state. If a higher sink current, for example 4 mA, is allowed, R_{up(min)} can be as low as 1.375 kΩ.

Given a 5-V I²C device with input low and high threshold voltages at 0.3 V_{dd} and 0.7 V_{dd}, the value of k is 0.8473 from Table 1. Taking into account the 1.83-kΩ pull-up resistor, the maximum total load capacitance is C_(total-5V) = 645 pF. C_{cable(max)} should be restricted to be less than 545 pF if C_{source} and C_i can be as heavy as 50 pF. Here the C_i is treated as C_{sink}, the load capacitance of a sink device.

Fixing the maximum transition time from Table 1, T = 1 μs, and using the k values from Table 1, the recommended maximum total resistance of the pull-up resistors on an I²C bus can be calculated for different system setups.

To support the maximum load capacitance specified in the HDMI spec, C_{cable(max)} = 700pF/C_{source} = 50pF/C_i = 50pF, R_(max) can be calculated as shown in Table 2.

Table 2. Pull-Up Resistor Upon Different Threshold Voltages and 800-pF Loads

$V_{th-} \setminus V_{th+}$	$0.7V_{DD}$	$0.65V_{DD}$	$0.6V_{DD}$	$0.55V_{DD}$	$0.5V_{DD}$	$0.45V_{DD}$	$0.4V_{DD}$	$0.35V_{DD}$	$0.3V_{DD}$	UNIT
$0.1V_{DD}$	1.14	1.32	1.54	1.80	2.13	2.54	3.08	3.84	4.97	k Ω
$0.15V_{DD}$	1.20	1.41	1.66	1.97	2.36	2.87	3.59	4.66	6.44	k Ω
$0.2V_{DD}$	1.27	1.51	1.80	2.17	2.66	3.34	4.35	6.02	9.36	k Ω
$0.25V_{DD}$	1.36	1.64	1.99	2.45	3.08	4.03	5.60	8.74	18.12	k Ω
$0.3V_{DD}$	1.48	1.80	2.23	2.83	3.72	5.18	8.11	16.87	-	k Ω

Or, limiting the maximum load capacitance of each cable to be 400 pF to accommodate with I²C spec version 2.1. $C_{cable(max)} = 400pF/C_{source} = 50pF/C_i = 50pF$, the maximum values of $R_{(max)}$ are calculated as shown in [Table 3](#).

Table 3. Pull-Up Resistor Upon Different Threshold Voltages and 500-pF Loads

$V_{th-} \setminus V_{th+}$	$0.7V_{DD}$	$0.65V_{DD}$	$0.6V_{DD}$	$0.55V_{DD}$	$0.5V_{DD}$	$0.45V_{DD}$	$0.4V_{DD}$	$0.35V_{DD}$	$0.3V_{DD}$	UNIT
$0.1V_{DD}$	1.82	2.12	2.47	2.89	3.40	4.06	4.93	6.15	7.96	k Ω
$0.15V_{DD}$	1.92	2.25	2.65	3.14	3.77	4.59	5.74	7.46	10.30	k Ω
$0.2V_{DD}$	2.04	2.42	2.89	3.48	4.26	5.34	6.95	9.63	14.98	k Ω
$0.25V_{DD}$	2.18	2.62	3.18	3.92	4.93	6.45	8.96	13.98	28.99	k Ω
$0.3V_{DD}$	2.36	2.89	3.57	4.53	5.94	8.29	12.97	26.99	-	k Ω

Obviously, to accommodate the 3-mA drive current specification, a narrower threshold voltage range is required to support a maximum 800-pF load capacitance for a standard-mode I²C bus.

When the input low and high level threshold voltages, V_{th-} and V_{th+} , are 0.7 V and 1.9 V, which is $0.15 V_{DD}$ and $0.4 V_{DD}$ approximately with $V_{DD} = 5 V$, from [Table 2](#), the maximum pull-up resistor is 3.59 k Ω . The allowable pull-up resistor is in the range of 1.83 k Ω and 3.59 k Ω .

Thermal Dissipation

On a high-K board – It is always recommended to solder the PowerPAD™ onto the thermal land. A thermal land is the area of solder-tinned-copper underneath the PowerPAD package. On a high-K board the TMDS141 can operate over the full temperature range by soldering the PowerPAD onto the thermal land without vias.

On a low-K board – In order for the device to operate across the temperature range on a low-K board, a 1-oz Cu trace connecting the GND pins to the thermal land must be used. A simulation shows $R_{\theta JA} = 100.84^{\circ}C/W$ allowing 545 mW power dissipation at 70°C ambient temperature.

A general PCB design guide for PowerPAD packages is provided in the document [SLMA002](#) - PowerPAD Thermally Enhanced Package.

REVISION HISTORY

Changes from Revision A (August 2006) to Revision B	Page
• Changed Features	1
• Changed Signaling rate from 1.65 Gbps to 2.25 Gbps	6
• Added PRE = Low to supply current test conditions	7
• Added PRE = Low to power dissipation test conditions	7
• Deleted TTL high- and low-level output voltages	7
• Changed Peak-to-peak output jitter from TX0 - TX2, residual jitter from 90 to 88 ps	8
• Added Peak-to-peak output jitter from TXC, residual jitter	8
• Added Peak-to-peak output jitter from TX0 - TX2, residual jitter	8
• Changed Figure 11	13
• Changed Figure 12	13
• Changed Figure 13	13
• Changed Figure 14	13
• Changed Figure 15	14

Changes from Revision B (April 2007) to Revision C	Page
• Added Feature - Accepts AC Couple DisplayPort Dual-Mode Signals and Translates Them into a HDMI1.3a Compatible TMDS Signal	1
• Added Application - DisplayPort Level Translator	1
• Changed SWITCHING CHARACTERISTICS - $t_{sk(D)}$ max from 60 to 35 ps	8

Changes from Revision C (June 2007) to Revision D	Page
• Changed the first Features list item From: Supports 2.25 Gbps Signaling Rate for 480i/p, 720i/p, and 1080i/p Resolution to 12-Bit Color Depth To: Supports 2.25 Gbps Signaling Rate for up to 1080p Resolutions Supporting 36-bits Per Pixel for Color Depth of 12-bits Per Color	1

PACKAGING INFORMATION

Orderable Device	Status (1)	Package Type	Package Drawing	Pins	Package Qty	Eco Plan (2)	Lead finish/ Ball material (6)	MSL Peak Temp (3)	Op Temp (°C)	Device Marking (4/5)	Samples
TMDS141RHAR	ACTIVE	VQFN	RHA	40	2500	RoHS & Green	NIPDAU	Level-3-260C-168 HR	0 to 70	TMDS141	Samples
TMDS141RHARG4	ACTIVE	VQFN	RHA	40	2500	TBD	Call TI	Call TI	0 to 70		Samples

(1) The marketing status values are defined as follows:

ACTIVE: Product device recommended for new designs.

LIFEBUY: TI has announced that the device will be discontinued, and a lifetime-buy period is in effect.

NRND: Not recommended for new designs. Device is in production to support existing customers, but TI does not recommend using this part in a new design.

PREVIEW: Device has been announced but is not in production. Samples may or may not be available.

OBSOLETE: TI has discontinued the production of the device.

(2) **RoHS:** TI defines "RoHS" to mean semiconductor products that are compliant with the current EU RoHS requirements for all 10 RoHS substances, including the requirement that RoHS substance do not exceed 0.1% by weight in homogeneous materials. Where designed to be soldered at high temperatures, "RoHS" products are suitable for use in specified lead-free processes. TI may reference these types of products as "Pb-Free".

RoHS Exempt: TI defines "RoHS Exempt" to mean products that contain lead but are compliant with EU RoHS pursuant to a specific EU RoHS exemption.

Green: TI defines "Green" to mean the content of Chlorine (Cl) and Bromine (Br) based flame retardants meet JS709B low halogen requirements of <=1000ppm threshold. Antimony trioxide based flame retardants must also meet the <=1000ppm threshold requirement.

(3) MSL, Peak Temp. - The Moisture Sensitivity Level rating according to the JEDEC industry standard classifications, and peak solder temperature.

(4) There may be additional marking, which relates to the logo, the lot trace code information, or the environmental category on the device.

(5) Multiple Device Markings will be inside parentheses. Only one Device Marking contained in parentheses and separated by a "~" will appear on a device. If a line is indented then it is a continuation of the previous line and the two combined represent the entire Device Marking for that device.

(6) Lead finish/Ball material - Orderable Devices may have multiple material finish options. Finish options are separated by a vertical ruled line. Lead finish/Ball material values may wrap to two lines if the finish value exceeds the maximum column width.

Important Information and Disclaimer:The information provided on this page represents TI's knowledge and belief as of the date that it is provided. TI bases its knowledge and belief on information provided by third parties, and makes no representation or warranty as to the accuracy of such information. Efforts are underway to better integrate information from third parties. TI has taken and continues to take reasonable steps to provide representative and accurate information but may not have conducted destructive testing or chemical analysis on incoming materials and chemicals. TI and TI suppliers consider certain information to be proprietary, and thus CAS numbers and other limited information may not be available for release.

In no event shall TI's liability arising out of such information exceed the total purchase price of the TI part(s) at issue in this document sold by TI to Customer on an annual basis.

TAPE AND REEL INFORMATION

QUADRANT ASSIGNMENTS FOR PIN 1 ORIENTATION IN TAPE


*All dimensions are nominal

Device	Package Type	Package Drawing	Pins	SPQ	Reel Diameter (mm)	Reel Width W1 (mm)	A0 (mm)	B0 (mm)	K0 (mm)	P1 (mm)	W (mm)	Pin1 Quadrant
TMDS141RHAR	VQFN	RHA	40	2500	330.0	16.4	6.3	6.3	1.1	12.0	16.0	Q2

TAPE AND REEL BOX DIMENSIONS


*All dimensions are nominal

Device	Package Type	Package Drawing	Pins	SPQ	Length (mm)	Width (mm)	Height (mm)
TMDS141RHAR	VQFN	RHA	40	2500	356.0	356.0	35.0

GENERIC PACKAGE VIEW

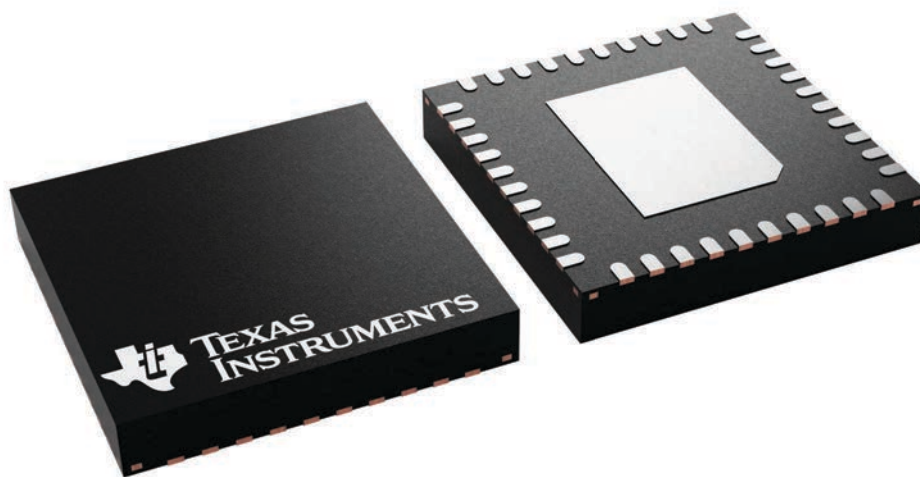
RHA 40

VQFN - 1 mm max height

6 x 6, 0.5 mm pitch

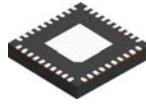
PLASTIC QUAD FLATPACK - NO LEAD

This image is a representation of the package family, actual package may vary.
Refer to the product data sheet for package details.



4225870/A

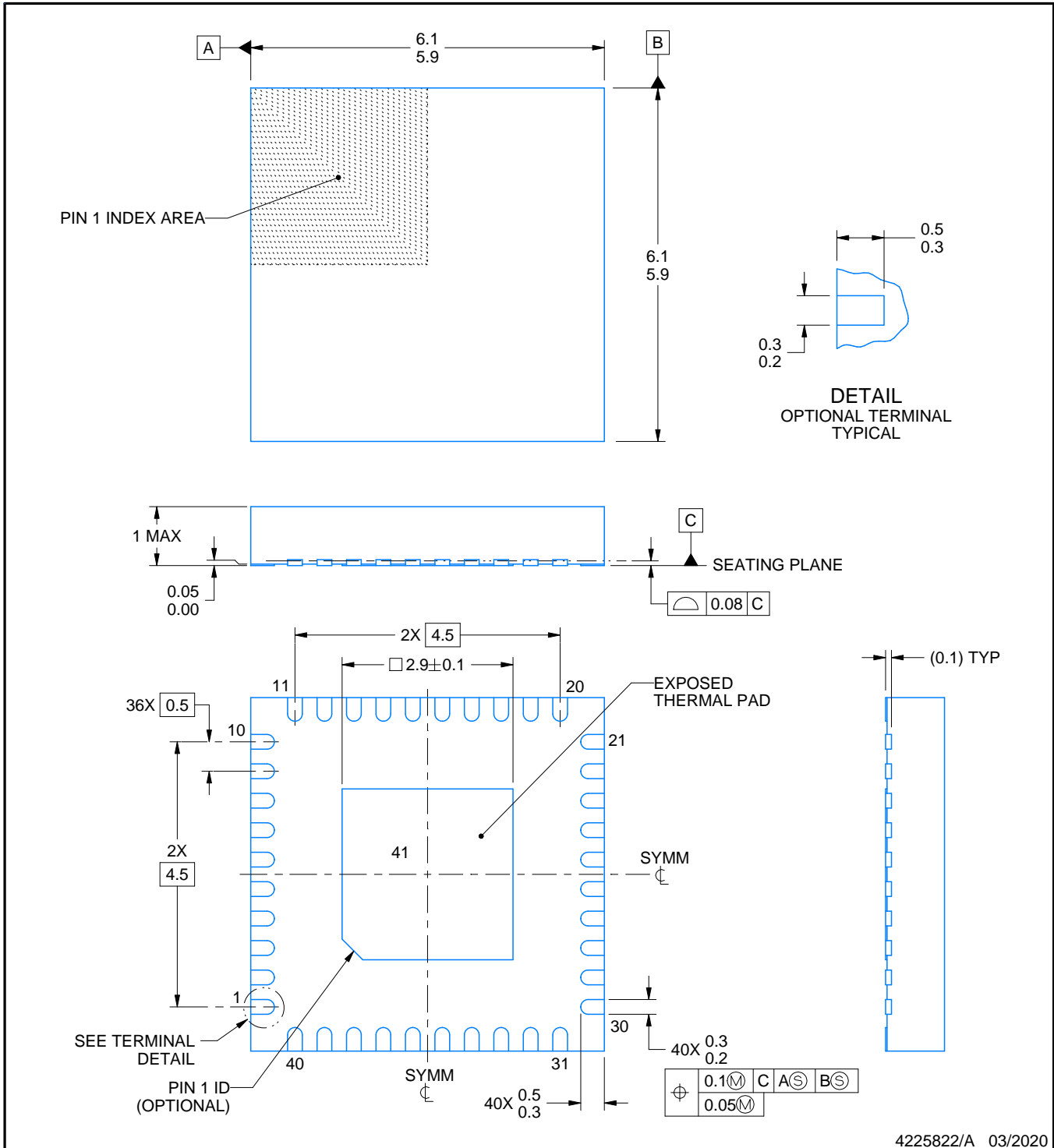
RHA0040D



PACKAGE OUTLINE

VQFN - 1 mm max height

PLASTIC QUAD FLATPACK - NO LEAD



NOTES:

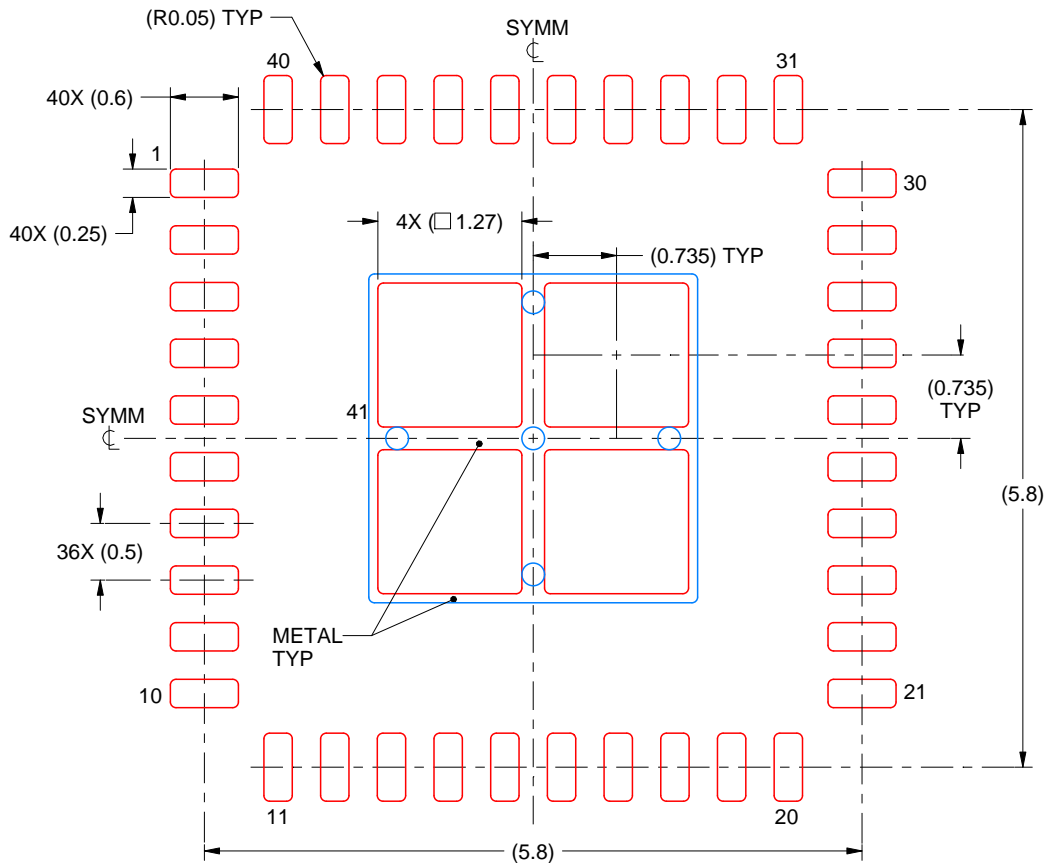
1. All linear dimensions are in millimeters. Any dimensions in parenthesis are for reference only. Dimensioning and tolerancing per ASME Y14.5M.
2. This drawing is subject to change without notice.
3. The package thermal pad must be soldered to the printed circuit board for thermal and mechanical performance.

EXAMPLE STENCIL DESIGN

RHA0040D

VQFN - 1 mm max height

PLASTIC QUAD FLATPACK - NO LEAD



SOLDER PASTE EXAMPLE
BASED ON 0.125 mm THICK STENCIL

EXPOSED PAD 41:
76.46% PRINTED SOLDER COVERAGE BY AREA UNDER PACKAGE
SCALE:15X

4225822/A 03/2020

NOTES: (continued)

6. Laser cutting apertures with trapezoidal walls and rounded corners may offer better paste release. IPC-7525 may have alternate design recommendations.

IMPORTANT NOTICE AND DISCLAIMER

TI PROVIDES TECHNICAL AND RELIABILITY DATA (INCLUDING DATA SHEETS), DESIGN RESOURCES (INCLUDING REFERENCE DESIGNS), APPLICATION OR OTHER DESIGN ADVICE, WEB TOOLS, SAFETY INFORMATION, AND OTHER RESOURCES "AS IS" AND WITH ALL FAULTS, AND DISCLAIMS ALL WARRANTIES, EXPRESS AND IMPLIED, INCLUDING WITHOUT LIMITATION ANY IMPLIED WARRANTIES OF MERCHANTABILITY, FITNESS FOR A PARTICULAR PURPOSE OR NON-INFRINGEMENT OF THIRD PARTY INTELLECTUAL PROPERTY RIGHTS.

These resources are intended for skilled developers designing with TI products. You are solely responsible for (1) selecting the appropriate TI products for your application, (2) designing, validating and testing your application, and (3) ensuring your application meets applicable standards, and any other safety, security, regulatory or other requirements.

These resources are subject to change without notice. TI grants you permission to use these resources only for development of an application that uses the TI products described in the resource. Other reproduction and display of these resources is prohibited. No license is granted to any other TI intellectual property right or to any third party intellectual property right. TI disclaims responsibility for, and you will fully indemnify TI and its representatives against, any claims, damages, costs, losses, and liabilities arising out of your use of these resources.

TI's products are provided subject to [TI's Terms of Sale](#) or other applicable terms available either on ti.com or provided in conjunction with such TI products. TI's provision of these resources does not expand or otherwise alter TI's applicable warranties or warranty disclaimers for TI products.

TI objects to and rejects any additional or different terms you may have proposed.

Mailing Address: Texas Instruments, Post Office Box 655303, Dallas, Texas 75265
Copyright © 2022, Texas Instruments Incorporated