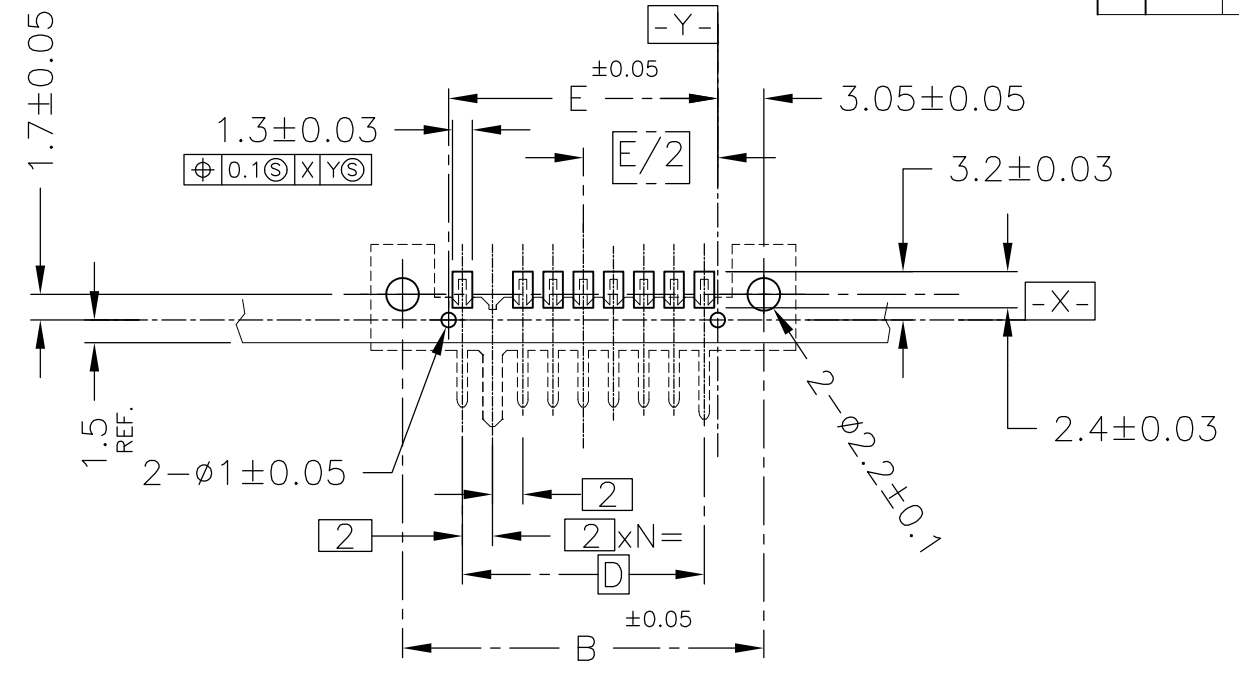
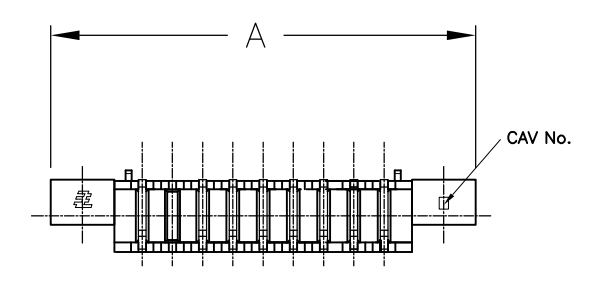


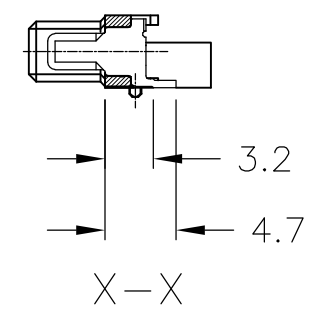
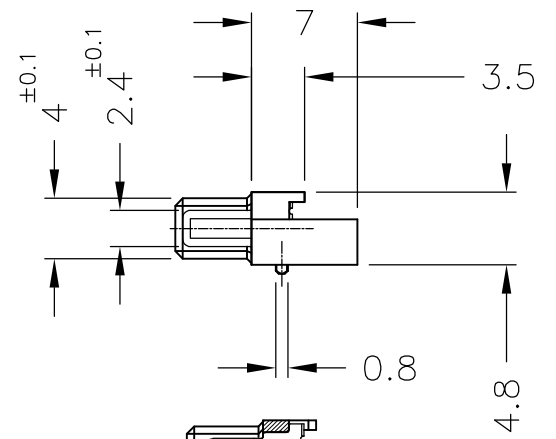
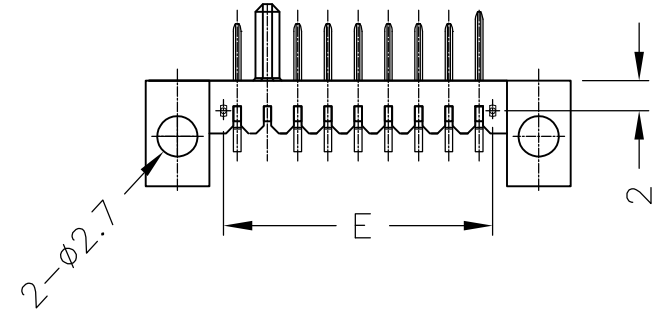
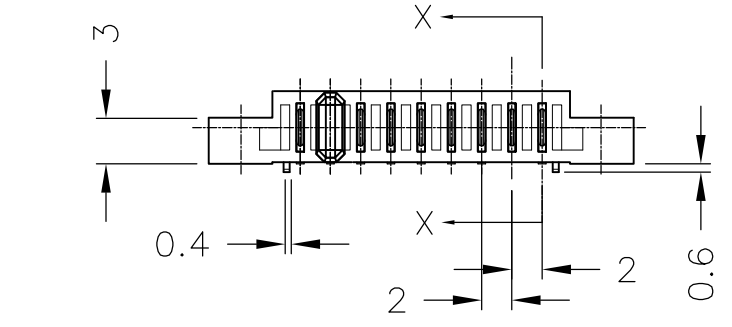
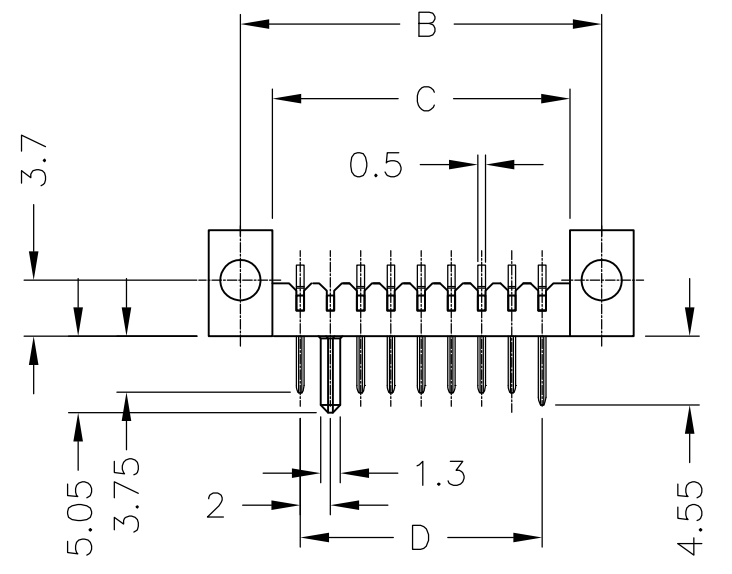
THIS DRAWING IS UNPUBLISHED. RELEASED FOR PUBLICATION
 © COPYRIGHT BY TYCO ELECTRONICS CORPORATION. ALL INTERNATIONAL RIGHTS RESERVED.

LOC	DIST	REVISIONS					
ES		P	LTR	DESCRIPTION	DATE	DWN	APVD
		D		REVISED PER ECR-10-024411	29NOV2010	E.L	C.W

1747785-1:AS SHOWN



REFERENCE P.C.BOARD LAYOUT
 P.C.BOARD THK 0.8~1.2
 (VIEW FROM CONNECTOR MOUNTING SIDE)



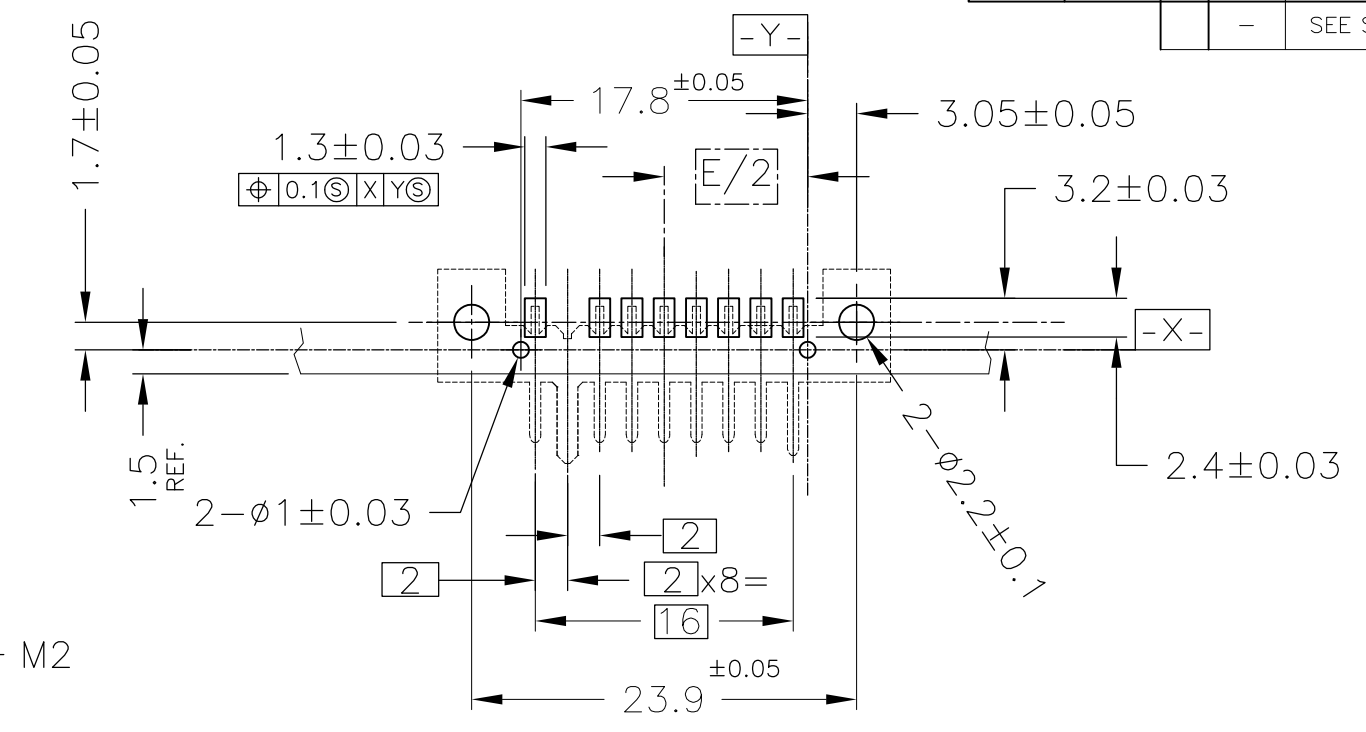
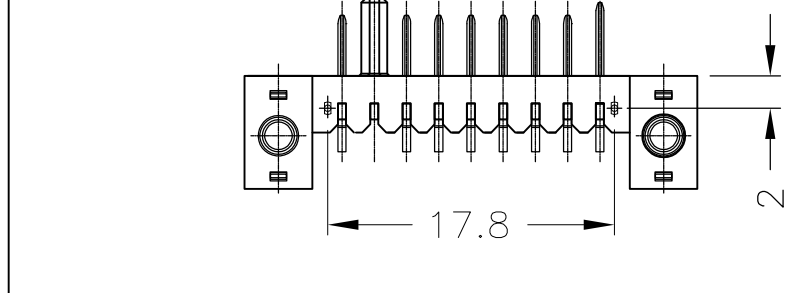
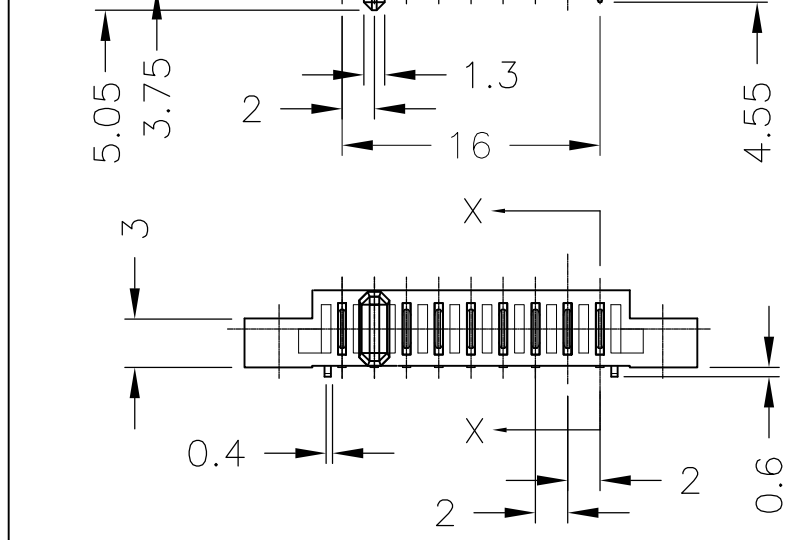
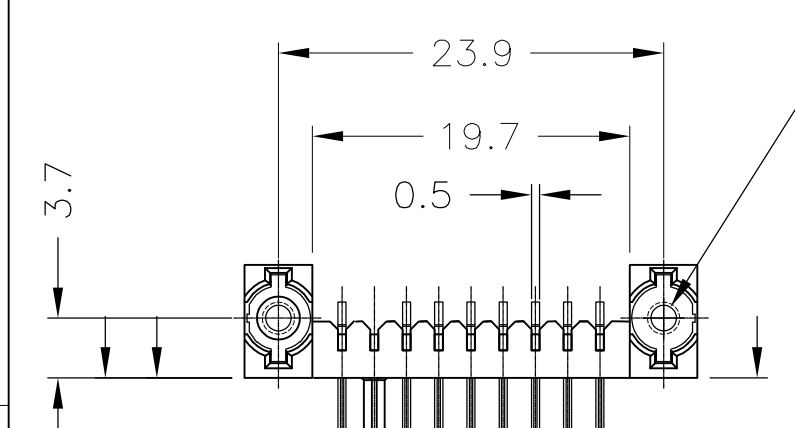
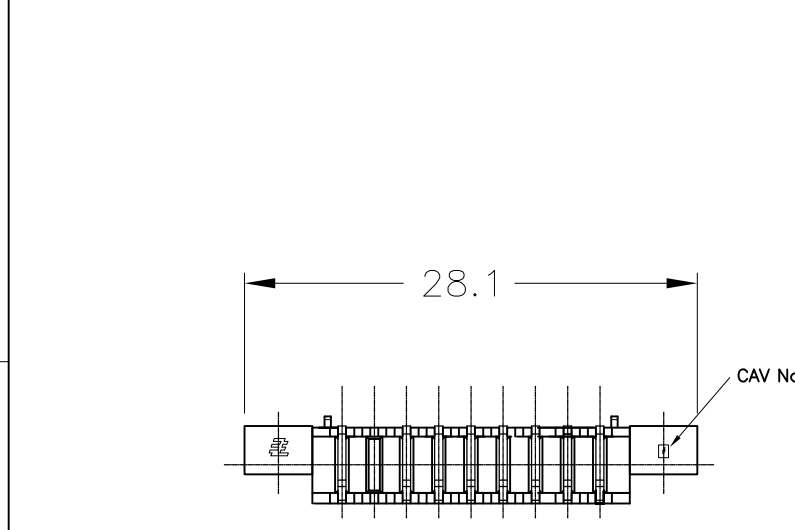
- ① MATERIAL HOUSING : 6T NYLON, UL94V-0
 COLOR ; BLACK
 CONTACT : COPPER ALLOY
- ② FINISH CONTACT : Ni 2µm MIN. ALL OVER UNDER PL
 Au PL. 0.3µm MIN. AT CONTACT AREA
 Au FLASH PL. 0.05~0.15µm
 AT LEAD AREA

OBSELETE	1.4g	21.8	20	23.7	27.9	32.1	10	1747785-2
	1.2g	17.8	16	19.7	23.9	28.1	8	1747785-1
WEIGHT	E	D	C	B	A	N (POS)		P/N

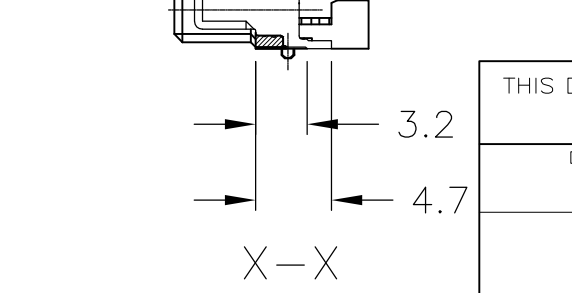
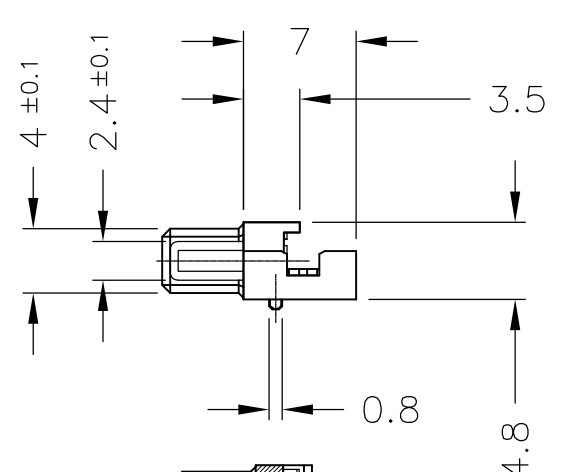
THIS DRAWING IS A CONTROLLED DOCUMENT.		DWN	T.KATANO	12AUG04	Tyco Electronics Corporation Harrisburg, PA 17105-3608			
DIMENSIONS: 单位: 耗 mm		CHK	T.KIMURA	12AUG04				
TOLERANCES UNLESS OTHERWISE SPECIFIED: 一般公差		APVD	K.IKEGAMI	12AUG04	NAME 名称			
6-PLC ±0.3 4-PLC ± 2-PLC ± 3-PLC ± 4-PLC ± ANGLES ±3°		PRODUCT SPEC 製品規格		108-5850		PLUG ASSEMBLY		
MATERIAL 材料		FINISH 仕上		APPLICATION SPEC 取付適用規格		2mm PITCH BATTERY CONNECTOR		
①		②		WEIGHT SEE TABLE		SIZE A3		CAGE CODE 00779
				CUSTOMER DRAWING		DRAWING NO 番号 G-1747785		RESTRICTED TO -
				SCALE 尺度 2:1		SHEET 1 OF 2		REV D

THIS DRAWING IS UNPUBLISHED. RELEASED FOR PUBLICATION
 © COPYRIGHT BY TYCO ELECTRONICS CORPORATION. ALL INTERNATIONAL RIGHTS RESERVED.

LOC	DIST	REVISIONS					
ES		P	LTR	DESCRIPTION	DATE	DWN	APVD
		-		SEE SHEET 1	-	-	-



REFERENCE P.C.BOARD LAYOUT
 P.C.BOARD THK 0.8~1.2
 (VIEW FROM CONNECTOR MOUNTING SIDE)



1747785-3:AS SHOWN

- ① MATERIAL HOUSING : NYLON, UL94V-0
 COLOR ; BLACK
 CONTACT : COPPER ALLOY
- ② FINISH CONTACT : Ni 2μm MIN. ALL OVER UNDER PL
 Au PL. 0.3μm MIN. AT CONTACT AREA
 Au FLASH PL. 0.05~0.15μm
 AT LEAD AREA

1.26g	8	1747785-3
WEIGHT	POS	P/N

THIS DRAWING IS A CONTROLLED DOCUMENT.		DWN T.KATANO 12AUG04	Tyco Electronics Corporation Harrisburg, PA 17105-3608	
DIMENSIONS: 単位: 耗 mm		CHK T.KIMURA 12AUG04		
TOLERANCES UNLESS OTHERWISE SPECIFIED: 一般公差		APVD K.IKEGAMI 12AUG04	NAME 名称	
0 PLC ± 0.3		PRODUCT SPEC 製品規格 108-5850		
1 PLC ±		APPLICATION SPEC 取付適用規格		
2 PLC ±		SIZE A3	CAGE CODE 00779	DRAWING NO 番号 G-1747785
3 PLC ±		RESTRICTED TO		
4 PLC ±		WEIGHT SEE TABLE		
ANGLES ± 3'		CUSTOMER DRAWING		
FINISH 仕上		SCALE 尺度 2:1		
		SHEET 2 OF 2		
		REV D		