

Product Summary

$V_{(BR)DSS}$	$R_{DS(on) Max}$	I_D $T_A = +25^\circ C$
-60V	55mΩ @ $V_{GS} = -10V$	-4.8A

Description

This MOSFET is designed to minimize the on-state resistance and yet maintain superior switching performance, making it ideal for high-efficiency power management applications.

Applications

- Disconnect Switches
- Motor Drive

Features

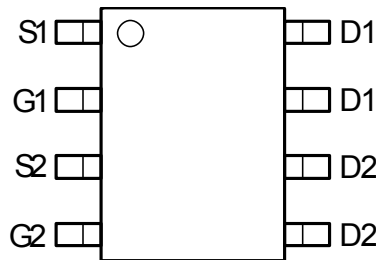
- Low On-Resistance
- Fast Switching Speed
- Low Threshold
- Low Gate Drive
- Low Profile SOIC Package
- **Totally Lead-Free & Fully RoHS Compliant (Notes 1 & 2)**
- **Halogen and Antimony Free. "Green" Device (Note 3)**
- **Qualified to AEC-Q101 Standards for High Reliability**
- **PPAP capable (Note 4)**

Mechanical Data

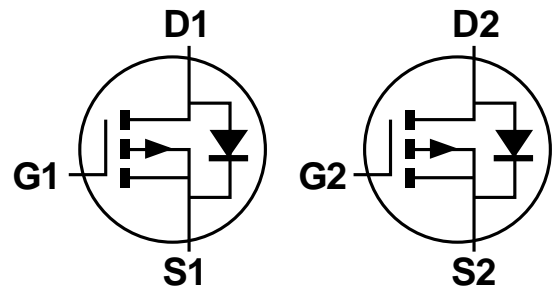
- Case: SO-8
- Case Material: Molded Plastic, "Green" Molding Compound; UL Flammability Classification Rating 94V-0
- Moisture Sensitivity: Level 1 per J-STD-020
- Terminals: Matte Tin Finish; Solderable per MIL-STD-202, Method 208
- Weight: 0.074 grams (Approximate)



Top View



Top View



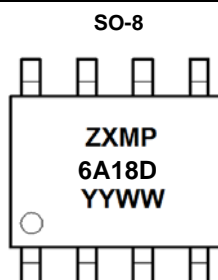
Equivalent Circuit

Ordering Information (Notes 4 & 5)

Product	Compliance	Case	Quantity per reel
ZXMP6A18DN8TA	Standard	SO-8	500
ZXMP6A18DN8TC	Standard	SO-8	2,500
ZXMP6A18DN8QTC	Automotive	SO-8	2,500

- Notes:
1. No purposely added lead. Fully EU Directive 2002/95/EC (RoHS) & 2011/65/EU (RoHS 2) compliant.
 2. See http://www.diodes.com/quality/lead_free.html for more information about Diodes Incorporated's definitions of Halogen- and Antimony-free, "Green" and Lead-free.
 3. Halogen- and Antimony-free "Green" products are defined as those which contain <900ppm bromine, <900ppm chlorine (<1500ppm total Br + Cl) and <1000ppm antimony compounds.
 4. Automotive products are AEC-Q101 qualified and are PPAP capable. Automotive, AEC-Q101 and standard products are electrically and thermally the same, except where specified. For more information, please refer to http://www.diodes.com/quality/product_compliance_definitions/.
 5. For packaging details, go to our website at <http://www.diodes.com/products/packages.html>.

Marking Information



ZXMP6A18D = Product Type Marking Code
 YYWW = Date Code Marking
 YY = Year (ex: 11 = 2011)
 WW = Week (01 - 53)

Maximum Ratings (@T_A = +25°C, unless otherwise specified.)

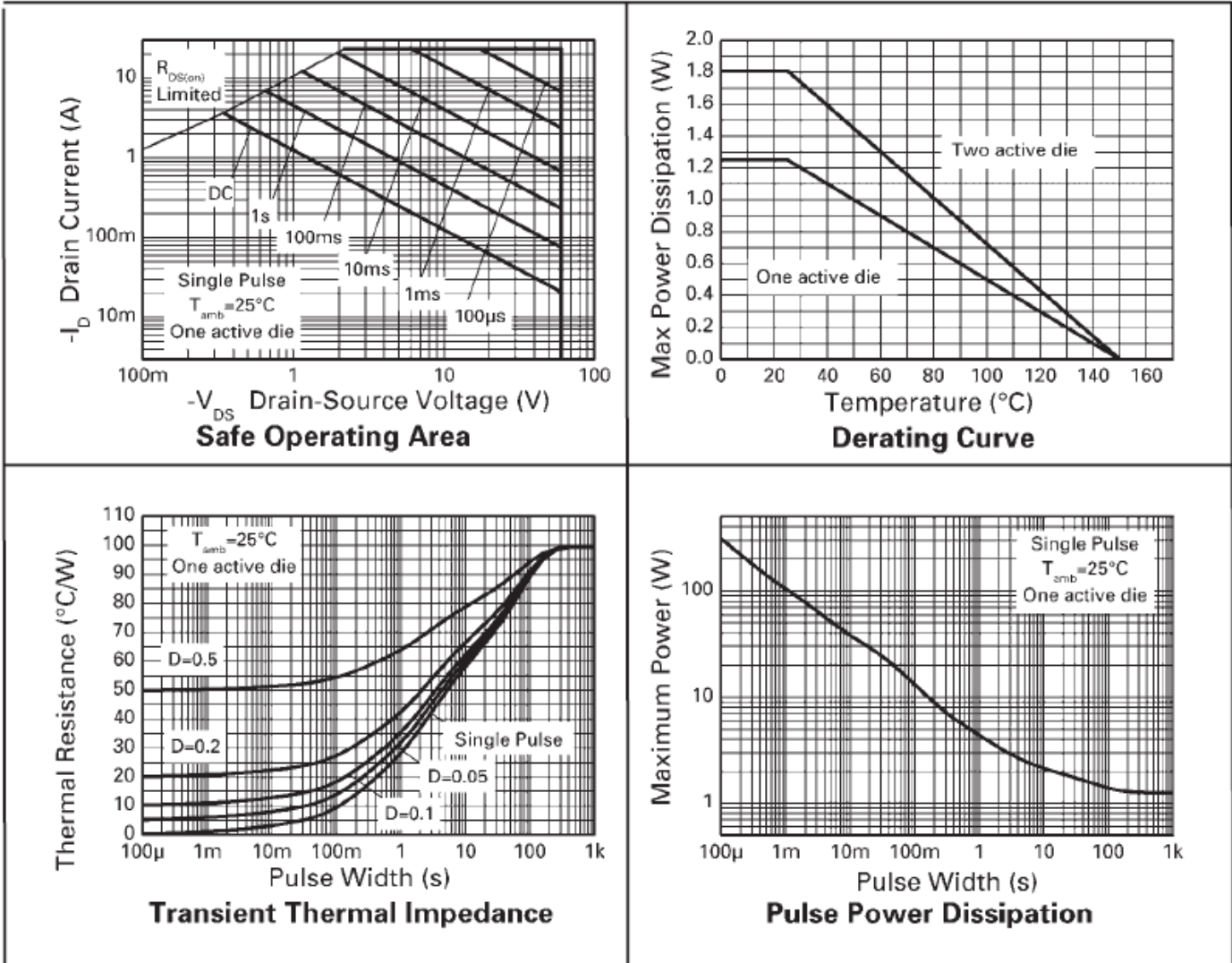
Characteristic	Symbol	Value	Unit
Drain-Source Voltage	V _{DSS}	-60	V
Gate-Source Voltage	V _{GS}	±20	V
Continuous Drain Current (V _{GS} = 10V)	I _D	(Notes 7 & 9)	-4.8
		T _A = +70°C (Notes 7 & 9)	-3.8
		(Notes 6 & 9)	-3.7
Pulsed Drain Current	I _{DM}	-23	A
Continuous Source Current (Body Diode)	I _S	-3.3	A
Pulsed Source Current (Body Diode)	I _{SM}	-23	A
Single Pulsed Avalanche Energy (L = 0.1mH)	E _{AS}	38.2	mJ
Single Pulsed Avalanche Current (L = 0.1mH)	I _{AS}	27.6	A

Thermal Characteristics (@T_A = +25°C, unless otherwise specified.)

Characteristic	Symbol	Value	Unit
Power Dissipation Linear Derating Factor	P _D	(Notes 6 & 9)	1.25 10
		(Notes 6 & 10)	1.8 14
		(Notes 7 & 9)	2.1 17
Thermal Resistance, Junction to Ambient	R _{θJA}	(Notes 6 & 9)	+100
		(Notes 7 & 10)	+69
		(Notes 7 & 9)	+58
Operating and Storage Temperature Range	T _J , T _{STG}	-55 to +150	°C

- Notes:
6. For a dual device surface mounted on 25mm x 25mm x 1.6mm FR4 PCB with a high coverage of single sided 1oz copper in still air conditions.
 7. For a dual device surface mounted FR4 PCB measured at t ≤ 10 sec.
 8. Repetitive rating 25mm x 25mm x 1.6mm FR4 PCB, D = 0.02, pulse width = 300µs – pulse width limited by maximum junction temperature.
 9. For a dual device with one active die.
 10. For a device with two active die running at equal power.
 11. IAR and EAR rating are based on low frequency and duty cycles to keep T_J = +25°C.

Thermal Characteristics

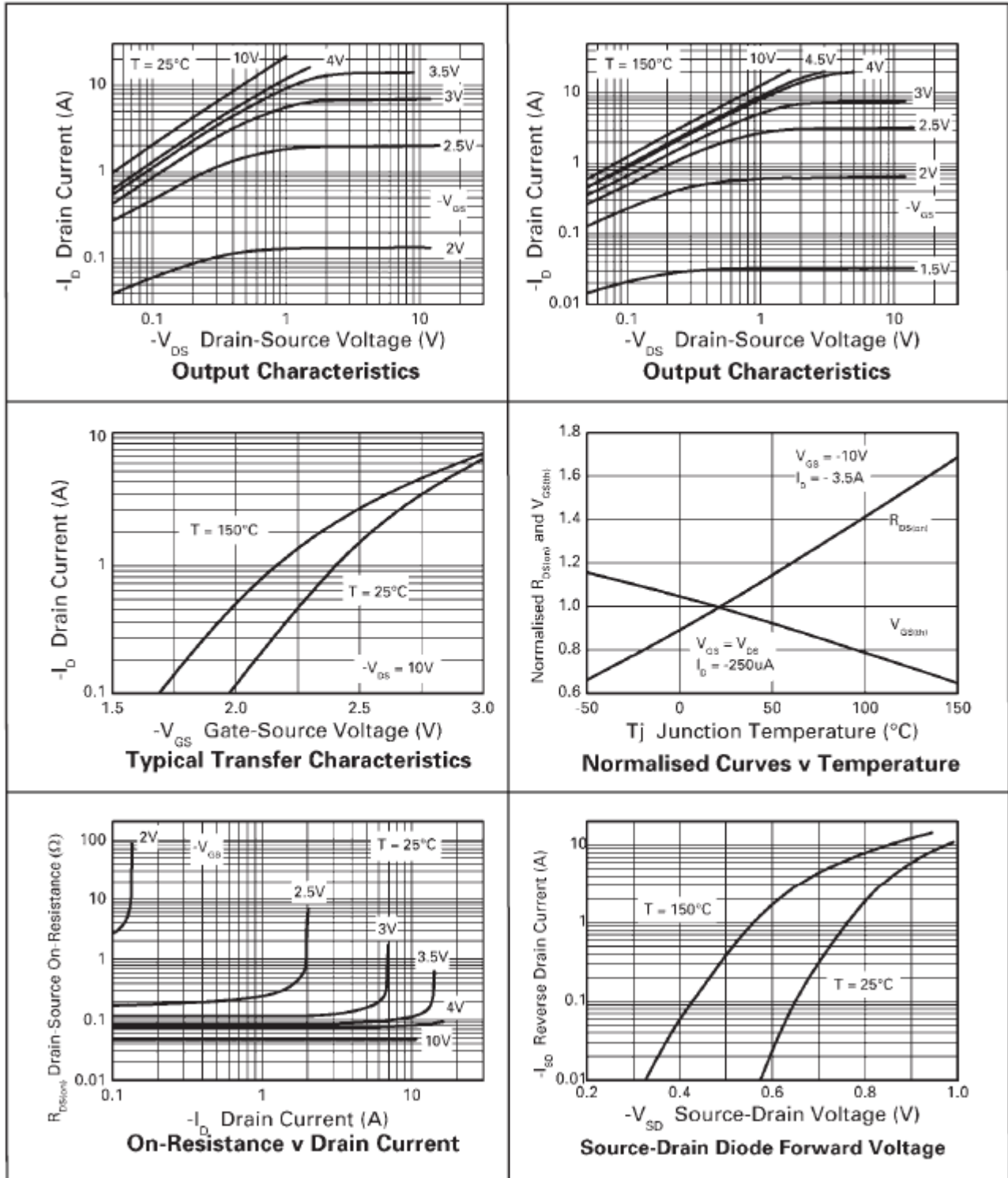


Electrical Characteristics (@T_A = +25°C, unless otherwise specified.)

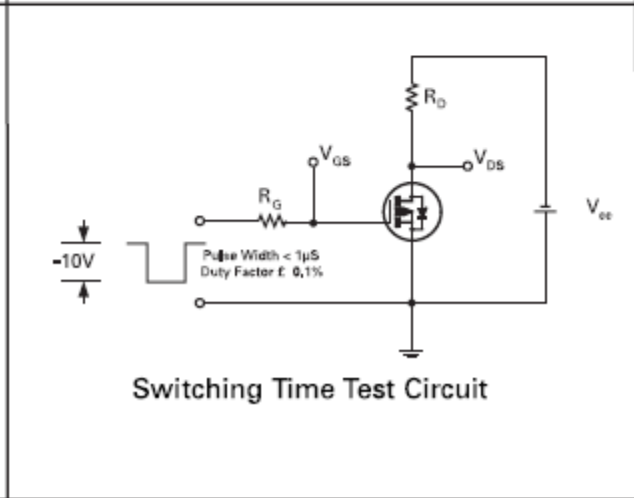
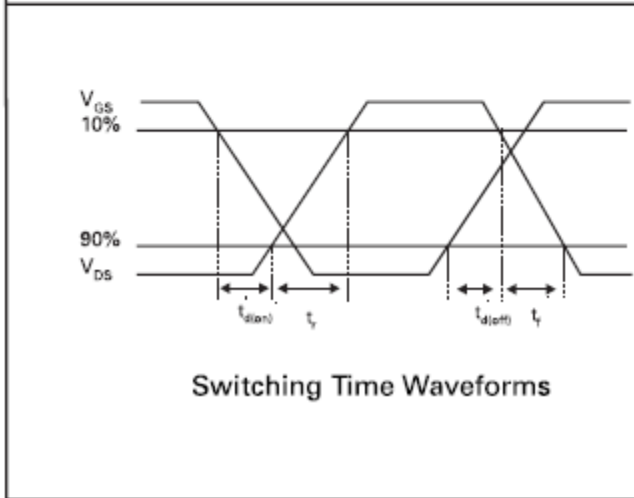
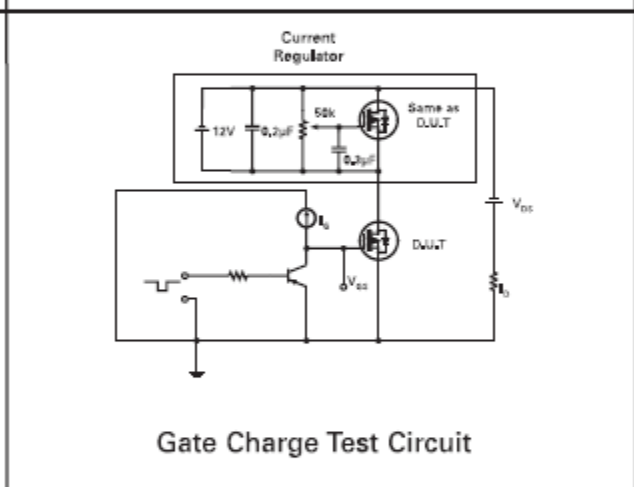
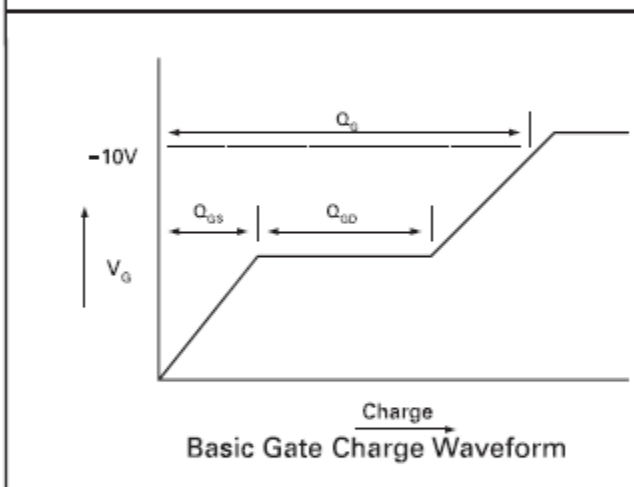
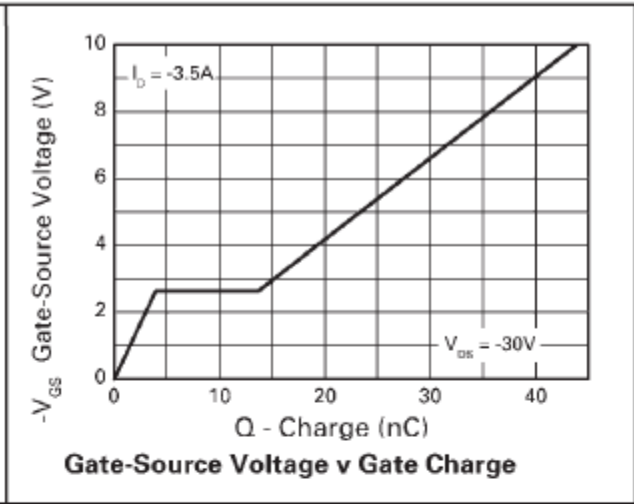
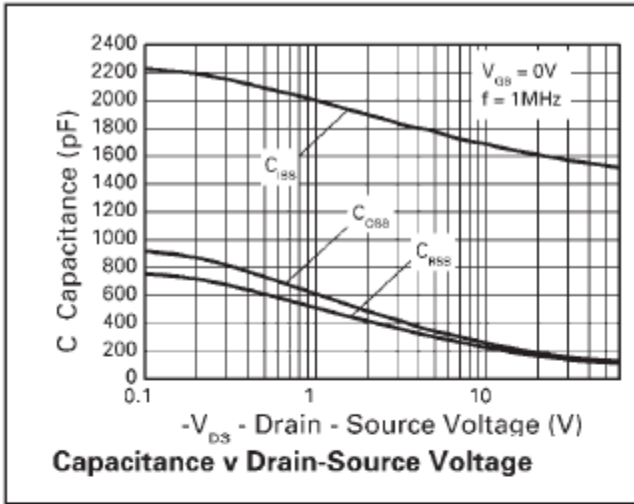
Characteristic	Symbol	Min	Typ	Max	Unit	Test Condition	
OFF CHARACTERISTICS							
Drain-Source Breakdown Voltage	BV _{DSS}	-60	—	—	V	I _D = -250μA, V _{GS} = 0V	
Zero Gate Voltage Drain Current	I _{DSS}	—	—	-1	μA	V _{DS} = -60V, V _{GS} = 0V	
Gate-Source Leakage	I _{GSS}	—	—	±100	nA	V _{GS} = ±20V, V _{DS} = 0V	
ON CHARACTERISTICS							
Gate Threshold Voltage	V _{GS(th)}	-1	—	—	V	I _D = -250μA, V _{DS} = V _{GS}	
Static Drain-Source On-Resistance (Note 12)	R _{DS(on)}	—	—	0.055	Ω	V _{GS} = -10V, I _D = -3.5A	
				0.08		V _{GS} = -4.5V, I _D = -2.9A	
Forward Transconductance (Notes 12 & 14)	g _{fs}	—	8.7	—	S	V _{DS} = -15V, I _D = -3.5A	
Diode Forward Voltage (Note 12)	V _{SD}	—	-0.85	-0.95	V	I _S = -4.2A, V _{GS} = 0V, T _J = +25°C	
Reverse Recovery Time (Note 14)	t _{rr}	—	37	—	ns	I _F = -2.1A, di/dt = 100A/μs, T _J = +25°C	
Reverse Recovery Charge (Note 14)	Q _{rr}	—	56	—	nC		
DYNAMIC CHARACTERISTICS (Note 14)							
Input Capacitance	C _{iss}	—	1580	—	pF	V _{DS} = -30V, V _{GS} = 0V f = 1MHz	
Output Capacitance	C _{oss}	—	160	—	pF		
Reverse Transfer Capacitance	C _{rss}	—	140	—	pF		
Total Gate Charge (Note 13)	Q _g	—	23	—	nC	V _{GS} = -5V	V _{DS} = -30V I _D = -3.5A
Total Gate Charge (Note 13)	Q _g	—	44	—	nC	V _{GS} = -10V	
Gate-Source Charge (Note 13)	Q _{gs}	—	3.9	—	nC		
Gate-Drain Charge (Note 13)	Q _{gd}	—	9.8	—	nC		
Turn-On Delay Time (Note 13)	t _{D(on)}	—	4.6	—	ns	V _{DD} = -30V, V _{GS} = -10V I _D = -1A, R _G ≅ 6.0Ω	
Turn-On Rise Time (Note 13)	t _r	—	5.8	—	ns		
Turn-Off Delay Time (Note 13)	t _{D(off)}	—	55	—	ns		
Turn-Off Fall Time (Note 13)	t _f	—	23	—	ns		

- Notes:
12. Measured under pulsed conditions. Pulse width ≤ 300μs; duty cycle ≤ 2%.
 13. Switching characteristics are independent of operating junction temperatures.
 14. For design aid only, not subject to production testing.

Typical Characteristics

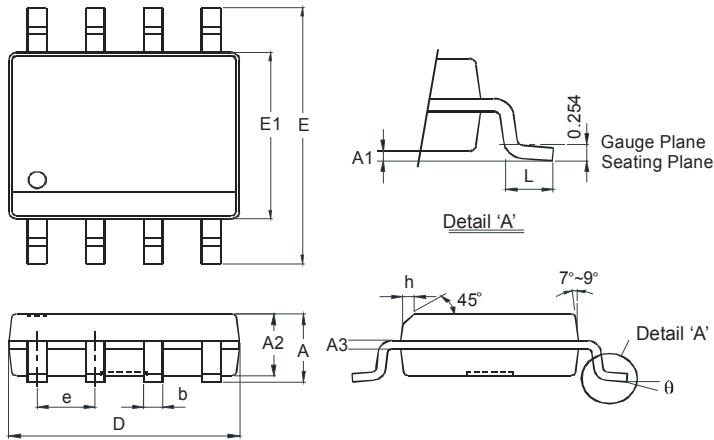


Typical Characteristics (cont.)



Package Outline Dimensions

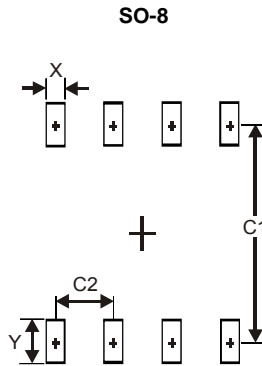
Please see AP02002 at <http://www.diodes.com/datasheets/ap02002.pdf> for the latest version.



SO-8		
Dim	Min	Max
A	-	1.75
A1	0.10	0.20
A2	1.30	1.50
A3	0.15	0.25
b	0.3	0.5
D	4.85	4.95
E	5.90	6.10
E1	3.85	3.95
e	1.27 Typ	
h	-	0.35
L	0.62	0.82
θ	0°	8°
All Dimensions in mm		

Suggested Pad Layout

Please see AP02001 at <http://www.diodes.com/datasheets/ap02001.pdf> for the latest version.



Dimensions	Value (in mm)
X	0.60
Y	1.55
C1	5.4
C2	1.27

IMPORTANT NOTICE

DIODES INCORPORATED MAKES NO WARRANTY OF ANY KIND, EXPRESS OR IMPLIED, WITH REGARDS TO THIS DOCUMENT, INCLUDING, BUT NOT LIMITED TO, THE IMPLIED WARRANTIES OF MERCHANTABILITY AND FITNESS FOR A PARTICULAR PURPOSE (AND THEIR EQUIVALENTS UNDER THE LAWS OF ANY JURISDICTION).

Diodes Incorporated and its subsidiaries reserve the right to make modifications, enhancements, improvements, corrections or other changes without further notice to this document and any product described herein. Diodes Incorporated does not assume any liability arising out of the application or use of this document or any product described herein; neither does Diodes Incorporated convey any license under its patent or trademark rights, nor the rights of others. Any Customer or user of this document or products described herein in such applications shall assume all risks of such use and will agree to hold Diodes Incorporated and all the companies whose products are represented on Diodes Incorporated website, harmless against all damages.

Diodes Incorporated does not warrant or accept any liability whatsoever in respect of any products purchased through unauthorized sales channel. Should Customers purchase or use Diodes Incorporated products for any unintended or unauthorized application, Customers shall indemnify and hold Diodes Incorporated and its representatives harmless against all claims, damages, expenses, and attorney fees arising out of, directly or indirectly, any claim of personal injury or death associated with such unintended or unauthorized application.

Products described herein may be covered by one or more United States, international or foreign patents pending. Product names and markings noted herein may also be covered by one or more United States, international or foreign trademarks.

This document is written in English but may be translated into multiple languages for reference. Only the English version of this document is the final and determinative format released by Diodes Incorporated.

LIFE SUPPORT

Diodes Incorporated products are specifically not authorized for use as critical components in life support devices or systems without the express written approval of the Chief Executive Officer of Diodes Incorporated. As used herein:

A. Life support devices or systems are devices or systems which:

1. are intended to implant into the body, or
2. support or sustain life and whose failure to perform when properly used in accordance with instructions for use provided in the labeling can be reasonably expected to result in significant injury to the user.

B. A critical component is any component in a life support device or system whose failure to perform can be reasonably expected to cause the failure of the life support device or to affect its safety or effectiveness.

Customers represent that they have all necessary expertise in the safety and regulatory ramifications of their life support devices or systems, and acknowledge and agree that they are solely responsible for all legal, regulatory and safety-related requirements concerning their products and any use of Diodes Incorporated products in such safety-critical, life support devices or systems, notwithstanding any devices- or systems-related information or support that may be provided by Diodes Incorporated. Further, Customers must fully indemnify Diodes Incorporated and its representatives against any damages arising out of the use of Diodes Incorporated products in such safety-critical, life support devices or systems.

Copyright © 2014, Diodes Incorporated

www.diodes.com