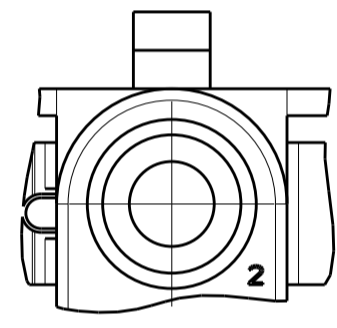
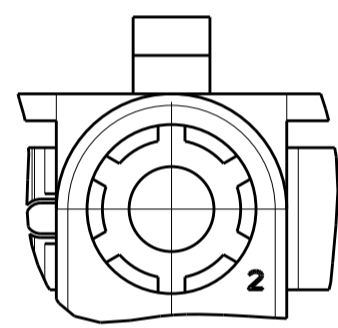


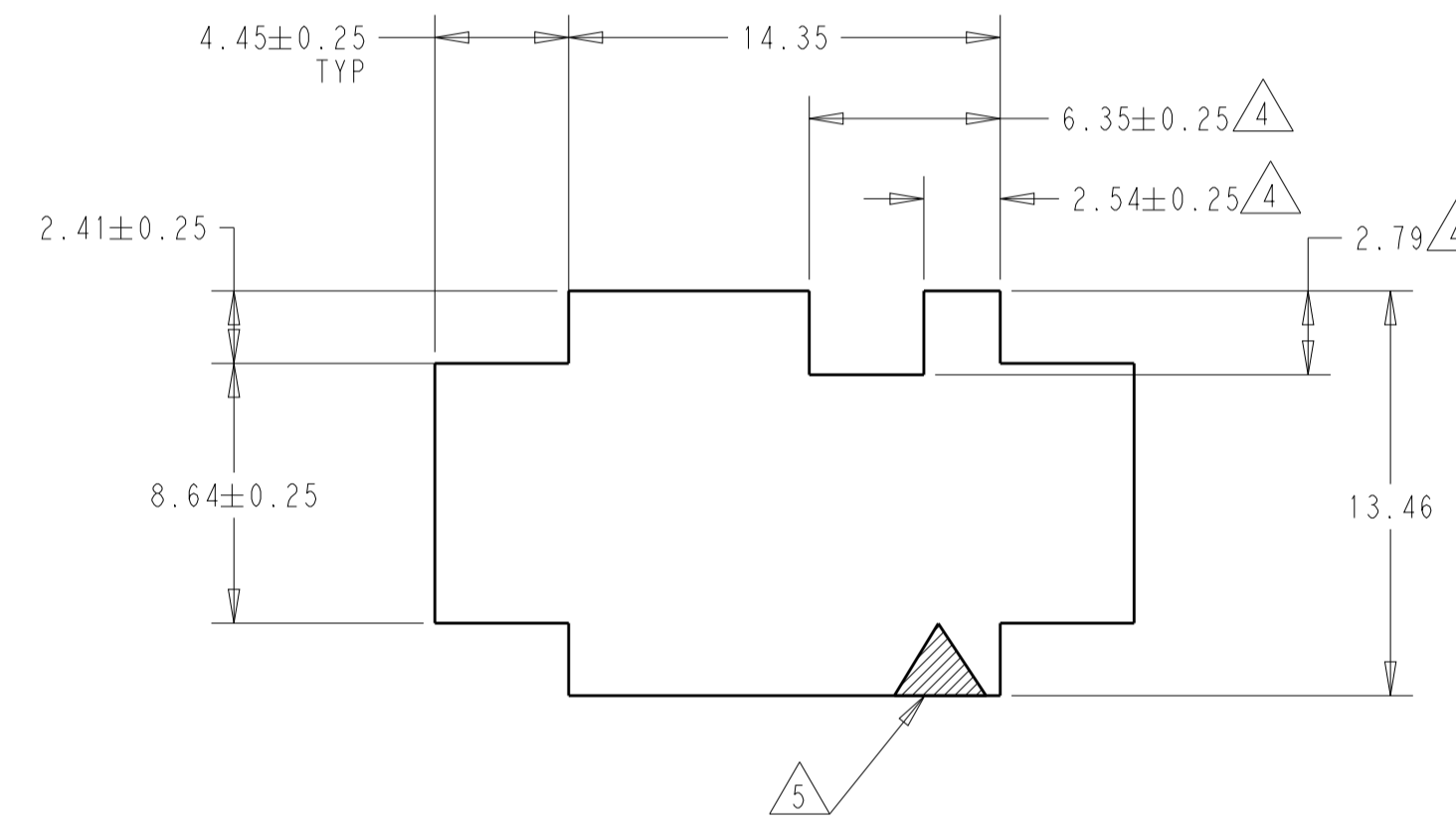
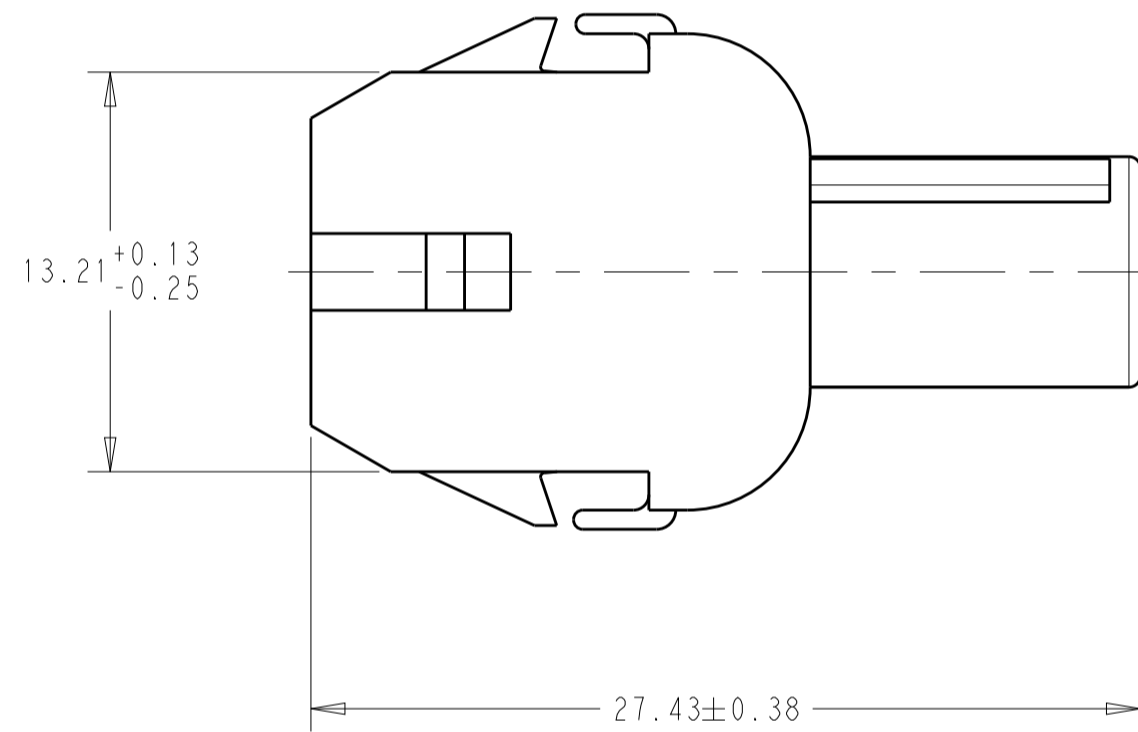
CONSTRUCTION OPTION 1



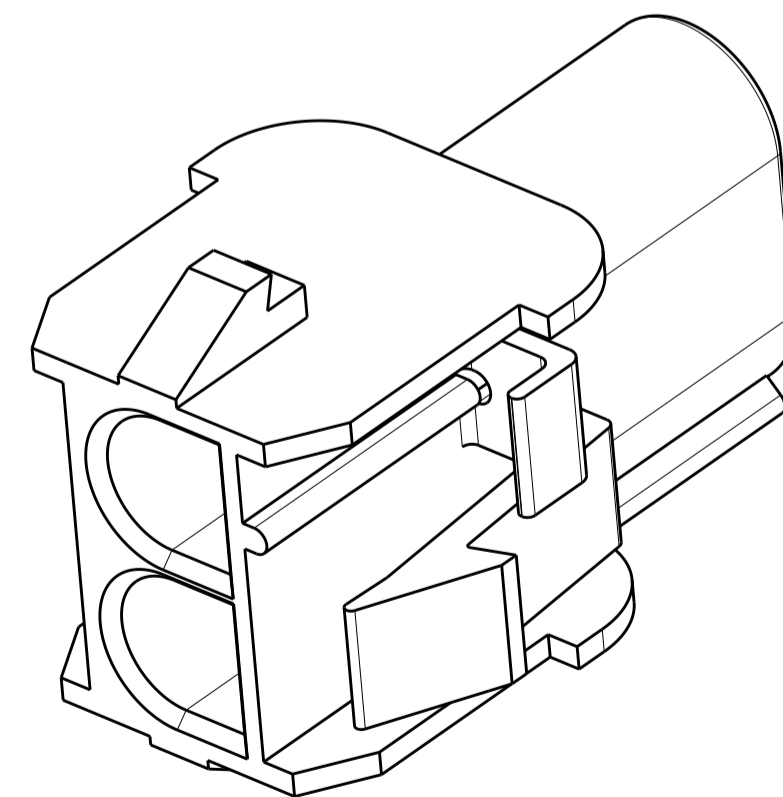
CONSTRUCTION OPTION 2

CONSTRUCTION OPTION 3

DETAIL A
OPTIONAL CONSTRUCTIONS



RECOMMENDED PANEL CUTOUT



REVISIONS				
P.	LTN	DESCRIPTION	DATE	APVD
AG9		REDRAWN PER ECO-19-005708	02MAY2019	BKW SF

1. MATES WITH APPROPRIATE UNIVERSAL MATE-N-LOCK™ PLUG
2. RECOMMENDED PANEL THICKNESS 0.76 - 2.29.
3. PANEL MUST BE PUNCHED SO THAT THE HOUSING ENTERS THE PANEL IN THE SAME DIRECTION AS THE PUNCH.
4. OPTIONAL FOR KEYING HOUSING IN PANEL.
5. CIRCUIT NUMBER 1 LOCATION.
6. DIMENSIONS SHOWN REPRESENT PRODUCT IN DRY, AS MOLDED, CONDITION. ADDITIONAL 2% GROWTH DUE TO SUBSEQUENT MOISTURE ABSORPTION MAY OCCUR AND SHOULD BE ACCOUNTED FOR.
7. FOUR RIBS EQUALLY SPACED, NO SPECIFIC ORIENTATION. NO RIBS OR SIX RIBS EQUALLY SPACED, NO SPECIFIC ORIENTATION, OPTIONAL.
8. UNDERWRITERS RECOGNIZED COMPONENT LOGO AND CSA CERTIFICATION LOGO TO BE LOCATED ONCE EACH ON SIDE OF HOUSING.
9. OBSOLETE PARTS: OBSOLETE CIS STREAMLINING PER D.RENAUD/D.SINIS!
10. CONSTRUCTION OPTION 1 ONLY ALLOWED
CONSTRUCTION OPTIONS 2 AND 3 NOT PERMISSIBLE
11. PREPRODUCTION-FASR REQUIRED
12. MATERIAL: PA66, UL94 V-0, GWIT 775°C
13. TRADEMARK LOCATION: AMP OR TE

12	NATURAL	13	480699-0
10	NATURAL	2	480699-0
	BLACK	1	480699-9
	GRAY	1	480699-8
	BLUE	1	480699-6
	GREEN	1	480699-5
9	SUPERSEDED BY 1-480699-0	YELLOW	1-480699-4
	ORANGE	1	480699-3
	RED	1	480699-2
	BROWN	1	480699-1
	NATURAL	1	480699-0
	COLOR		PART NUMBER

THIS DRAWING IS A CONTROLLED DOCUMENT.		DWN	B. WEAVER	02MAY2019	TE Connectivity	
DIMENSIONS:		CHK	S. FERNANDES	02MAY2019		
TOLERANCES UNLESS OTHERWISE SPECIFIED:		APVD	T. BENCHOFF	02MAY2019		
mm		PRODUCT SPEC				
0 PLC	±	APPLICATION SPEC			NAME	CAP, 2 CIRCUIT UNIVERSAL MATE-N-LOCK
1 PLC	±				SIZE	
2 PLC	±0.13				CAGE CODE	00779
3 PLC	±				DRAWING NO	480699
4 PLC	±				RESTRICTED TO	
ANGLES	±1°				SCALE	4:1
MATERIAL	NYLON UL94V-2	FINISH			SHEET	1 OF 1
					REV	AG9