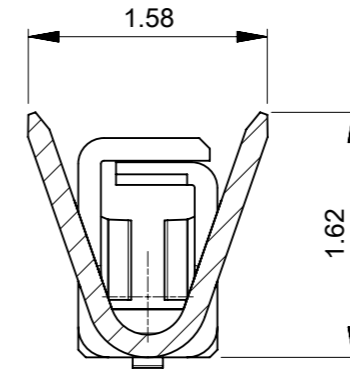
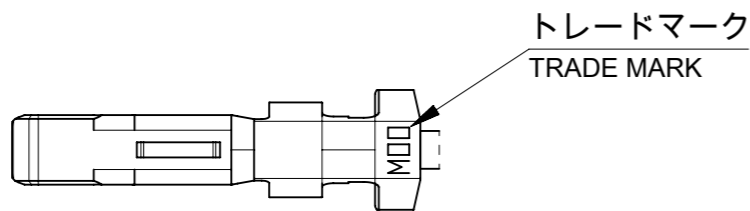
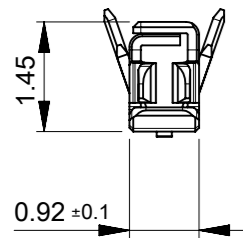
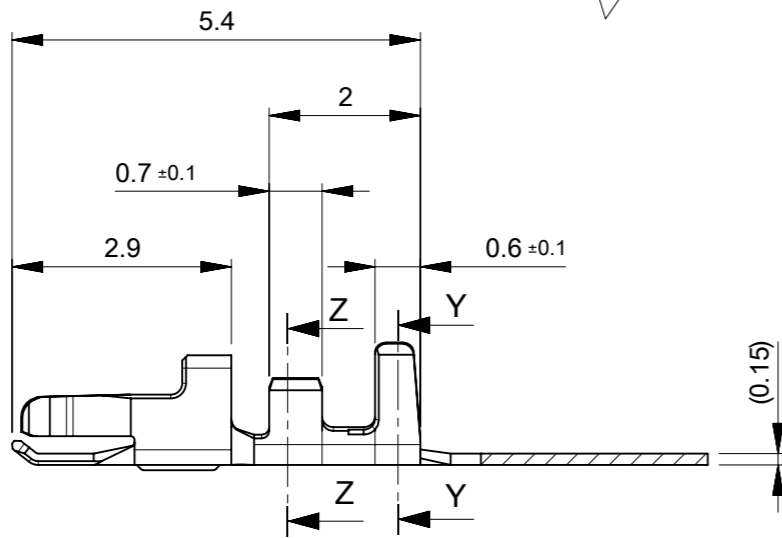
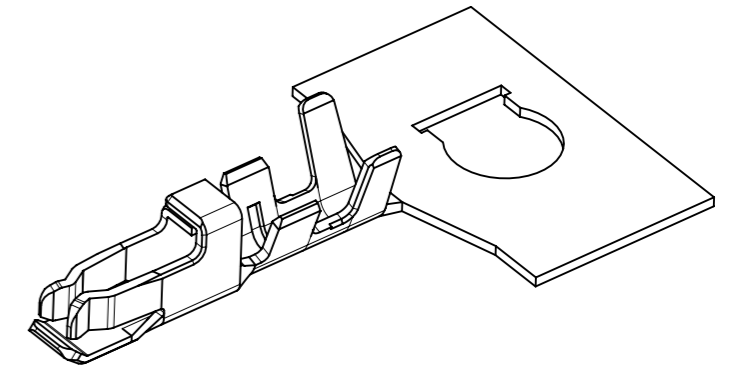


SECTION Z-Z



SECTION Y-Y



注記:  
NOTE:

- 1. 材料及び仕上げ(めっき仕様) : TABLE 1参照  
MATERIAL AND FINISHED(PLATING SPECIFICATION) : SEE TABLE 1
- 2. 製品仕様書、コネクタ取扱説明書、適合ハウジング、適合嵌合相手についてはSHEET 2およびSHEET 3をご参照ください。  
PLEASE REFER TO SHEET 2 AND SHEET 3 FOR PRODUCT SPECIFICATION, APPLICATION SPECIFICATION APPLICABLE HOUSING, MATE WITH.
- 3. 本製品は錫めっき品である。金めっき品は5054311100-SD PSD 000をご参照ください。  
THIS PRODUCT IS A TIN PLATING. PLEASE REFER TO 5054311100-SD PSD 000 FOR GOLD PLATING.

1 TABLE 1

材質及び仕上げ(めっき仕様) MATERIAL AND FINISHED (PLATING SPECIFICATION)	
銅合金 COPPER ALLOY	
錫めっき : 0.7MICROMETER MINIMUM PRE-TIN PLATING (HEAT TREATED MATTE TIN)	
DOCUMENT STATUS	P1 RELEASE DATE 2022/11/30 03:03:41

Φ0.78-1.02mm	AWG#26~30 MM <sup>2</sup> : 0.049~0.136	リール REEL	連鎖状 CHAIN	5054311000
絶縁被覆外径 INSULATION DIAMETER	適用電線範囲 WIRE RANGE	梱包形態 PACKAGING	端子形状 FORM	発注番号 ORDER NUMBER
THIS DRAWING CONTAINS INFORMATION THAT IS PROPRIETARY TO MOLEX ELECTRONIC TECHNOLOGIES, LLC AND SHOULD NOT BE USED WITHOUT WRITTEN PERMISSION				
DIMENSION UNITS	SCALE	CURRENT REV DESC:		
mm	NTS			
GENERAL TOLERANCES (UNLESS SPECIFIED)				
ANGULAR TOL	± 3.0 °	EC NO: 720259 DRWN: SOKUMURA01 2022/11/07 CHK'D: SAKIYAMA 2022/11/28 APPR: AIDA 2022/11/30 INITIAL REVISION: DRWN: RWATANABE01 2017/09/14 APPR: TKANEKO 2017/09/26		
4 PLACES	± 0.2			
3 PLACES	± 0.2			
2 PLACES	± 0.2			
1 PLACE	± 0.2	PRODUCT CUSTOMER DRAWING		
0 PLACES	± 0.2	DOCUMENT NUMBER		DOC TYPE DOC PART REVISION
DRAFT WHERE APPLICABLE MUST REMAIN WITHIN DIMENSIONS		5054311000-SD		PSD 000 F
THIRD ANGLE PROJECTION		DRAWING	SERIES	MATERIAL NUMBER CUSTOMER SHEET NUMBER
		A3-SIZE	505431	SEE CHART GENERAL 1 OF 3

△ 適合製品及び各種仕様書 (1列)  
 APPLICABLE PRODUCTS AND VARIOUS SPECIFICATIONS (SINGLE ROW)

梱包仕様書 PACKING SPECIFICATION	5054319200 PS 200
--------------------------------	-------------------

列数 NUMBER OF ROWS		SINGLE						
適合ハウジング シリーズ番号 APPLICABLE HOUSING SERIES NUMBER		505565			204532			
適合嵌合相手 MATE WITH	嵌合タイプ MATING TYPE	VERTICAL	RIGHT ANGLE	WIRE TO WIRE	VERTICAL	RIGHT ANGLE	VERTICAL (FOR POTTING)	WIRE TO WIRE
	シリーズ番号 SERIES NUMBER	505568	505567	214525	204530	204529	205957	214525
ローハロゲン対応 LOW HALOGEN COMPLIANT		NOT COMPLIANT			NOT COMPLIANT (RED/YELLOW/BLUE)		COMPLIANT	
製品仕様書 PRODUCT SPECIFICATION		5055650000 PS 000		5055650003-PS PS 000		2045320000-PS PS 000		2045320001-PS PS 000
取扱説明書 APPLICATION SPECIFICATION		5055650000-AS PS 000						

列数 NUMBER OF ROWS		SINGLE					
適合ハウジング シリーズ番号 APPLICABLE HOUSING SERIES NUMBER		214526					
適合嵌合相手 MATE WITH	嵌合タイプ MATING TYPE	VERTICAL	RIGHT ANGLE	VERTICAL	VERTICAL (FOR POTTING)	WIRE TO WIRE	
	シリーズ番号 SERIES NUMBER	505568	505567	204530	205957	214525	
ローハロゲン対応 LOW HALOGEN COMPLIANT		NOT COMPLIANT		COMPLIANT		COMPLIANT (NATURAL/ BLACK)	NOT COMPLIANT (RED/YELLOW/BLUE)
製品仕様書 PRODUCT SPECIFICATION		2145260000-PS PS 000			2145260001-PS PS 000		2145260002-PS PS 000
取扱説明書 APPLICATION SPECIFICATION		5055650000-AS PS 000					

製品嵌合図は各"適合嵌合相手"図面参照のこと  
 MATING VIEW : REFER TO EACH "MATE WITH" PART DRAWING.

THIS DRAWING CONTAINS INFORMATION THAT IS PROPRIETARY TO MOLEX ELECTRONIC TECHNOLOGIES, LLC AND SHOULD NOT BE USED WITHOUT WRITTEN PERMISSION										
DIMENSION UNITS	SCALE	CURRENT REV DESC:						<b>molex</b>		
mm	NTS									
GENERAL TOLERANCES (UNLESS SPECIFIED)								MICRO-LOCK PLUS 1.25 RECEPTACLE CRIMP TERMINAL TIN PLATING		
ANGULAR TOL	± 3.0 °							PRODUCT CUSTOMER DRAWING		
4 PLACES	± 0.2	EC NO: 720259 DRWN: SOKUMURA01 2022/11/07 CHK'D: SAKIYAMA 2022/11/28 APPR: AIDA 2022/11/30						DOCUMENT NUMBER		
3 PLACES	± 0.2							5054311000-SD		
2 PLACES	± 0.2							DOC TYPE	DOC PART	REVISION
1 PLACE	± 0.2	INITIAL REVISION: DRWN: RWATANABE01 2017/09/14 APPR: TKANEKO 2017/09/26						PSD	000	F
0 PLACES	± 0.2							SHEET NUMBER		
DRAFT WHERE APPLICABLE MUST REMAIN WITHIN DIMENSIONS		THIRD ANGLE PROJECTION	DRAWING	SERIES	MATERIAL NUMBER	CUSTOMER		SHEET NUMBER		
			A3-SIZE	505431	SEE SHEET 1	GENERAL		2 OF 3		

△ 2 適合製品及び各種仕様書 (2列)  
 APPLICABLE PRODUCTS AND VARIOUS SPECIFICATIONS (DUAL ROW)

列数 NUMBER OF ROWS		DUAL				
適合ハウジング シリーズ番号 APPLICABLE HOUSING SERIES NUMBER		505432		204523		
適合嵌合相手 MATE WITH	嵌合タイプ MATING TYPE	VERTICAL	RIGHT ANGLE	VERTICAL	RIGHT ANGLE	VERTICAL (FOR POTTING)
	シリーズ番号 SERIES NUMBER	505433	505448	204520	204519	207760
ローハロゲン対応 LOW HALOGEN COMPLIANT		NOT COMPLIANT		COMPLIANT		COMPLIANT (NATURAL/ BLACK)    NOT COMPLIANT (RED/YELLOW/BLUE)
製品仕様書 PRODUCT SPECIFICATION		5054320000 PS 002		2045230000-PS PS 000		2045230001-PS PS 000
取扱説明書 APPLICATION SPECIFICATION		5054320000-AS PS 000				

列数 NUMBER OF ROWS		DUAL		
適合ハウジング シリーズ番号 APPLICABLE HOUSING SERIES NUMBER		214527		
適合嵌合相手 MATE WITH	嵌合タイプ MATING TYPE	VERTICAL	RIGHT ANGLE	VERTICAL (FOR POTTING)
	シリーズ番号 SERIES NUMBER	505433	505448	207760
ローハロゲン対応 LOW HALOGEN COMPLIANT		NOT COMPLIANT		COMPLIANT (NATURAL/ BLACK)
製品仕様書 PRODUCT SPECIFICATION		2145270000-PS PS 000		2145270001-PS PS 000
取扱説明書 APPLICATION SPECIFICATION		5054320000-AS PS 000		

製品嵌合図は各"適合嵌合相手"図面参照のこと  
 MATING VIEW : REFER TO EACH "MATE WITH" PART DRAWING.

THIS DRAWING CONTAINS INFORMATION THAT IS PROPRIETARY TO MOLEX ELECTRONIC TECHNOLOGIES, LLC AND SHOULD NOT BE USED WITHOUT WRITTEN PERMISSION										
DIMENSION UNITS	SCALE	CURRENT REV DESC:					<b>molex</b>			
mm	NTS									
GENERAL TOLERANCES (UNLESS SPECIFIED)							MICRO-LOCK PLUS 1.25 RECEPTACLE CRIMP TERMINAL TIN PLATING			
ANGULAR TOL	± 3.0 °						PRODUCT CUSTOMER DRAWING			
4 PLACES	± 0.2	EC NO: 720259								
3 PLACES	± 0.2	DRWN: SOKUMURA01			2022/11/07					
2 PLACES	± 0.2	CHK'D: SAKIYAMA			2022/11/28					
1 PLACE	± 0.2	APPR: AIDA			2022/11/30					
0 PLACES	± 0.2	INITIAL REVISION:								
DRAFT WHERE APPLICABLE MUST REMAIN WITHIN DIMENSIONS		THIRD ANGLE PROJECTION	DRAWING	SERIES	MATERIAL NUMBER	CUSTOMER	DOCUMENT NUMBER	DOC TYPE	DOC PART	REVISION
			A3-SIZE	505431	2017/09/14 2017/09/26	GENERAL	5054311000-SD	PSD	000	F
				SEE SHEET 1					3 OF 3	