

# CGA5L3X5R1H225M160AB

TDK Item Description : CGA5L3X5R1H225MT\*\*\*\*



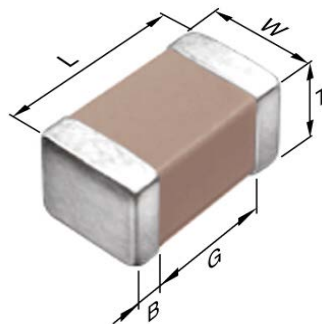
Equivalent C3216X5R1H225M for Automotive

## Application & Main Feature

Automotive Grade ( General (Up to 50V) )

## Series

CGA5(3216) [EIA 1206]



## Dimensions

L	3.20mm +0.3,-0.1mm
W	1.60mm +/-0.2mm
T	1.60mm +/-0.2mm
B	0.20mm Min.
G	1.00mm Min.

## Temperature Characteristic

X5R (-55 to 85 degC +/-15%)

## Rated Voltage

1H (50Vdc)

## Capacitance

2.2uF

## Capacitance Tolerance

M (+/-20%)

## Dissipation Factor

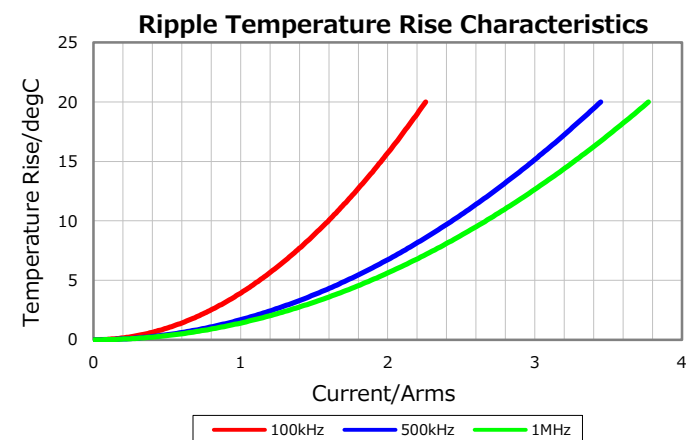
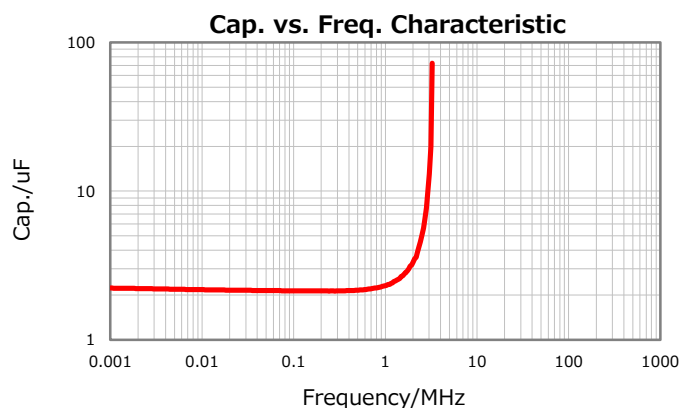
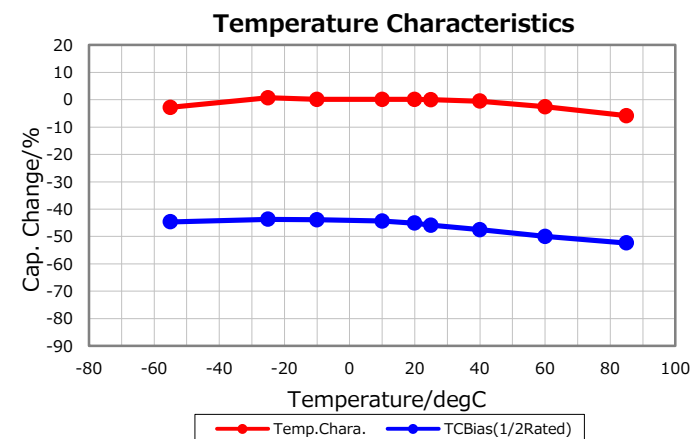
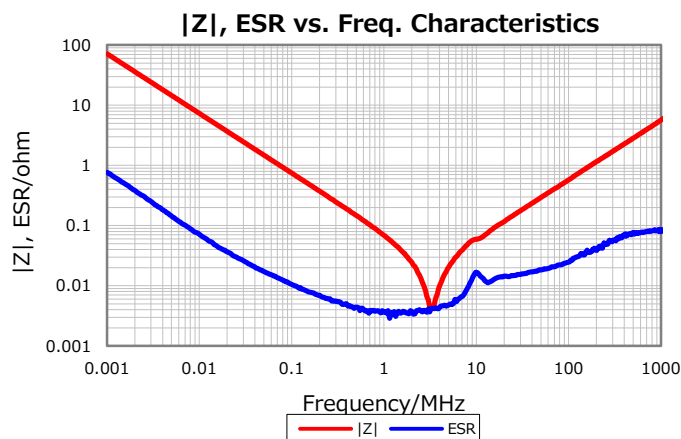
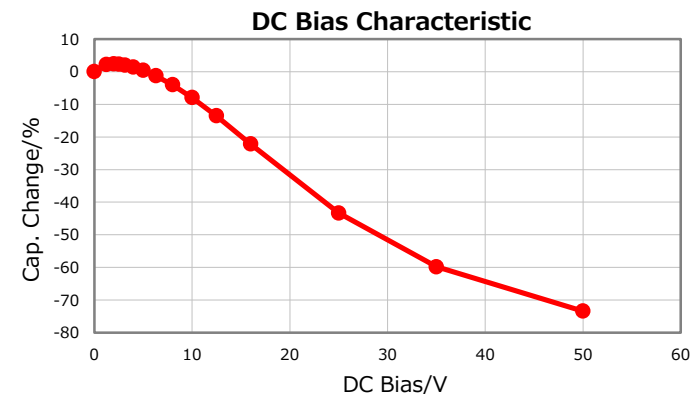
5% Max.

## Insulation Resistance

227Mohm Min.

## AEC-Q200

Yes



Characterization Sheet ( Multilayer Ceramic Chip Capacitors )



All specifications are subject to change without notice.

June 29, 2017