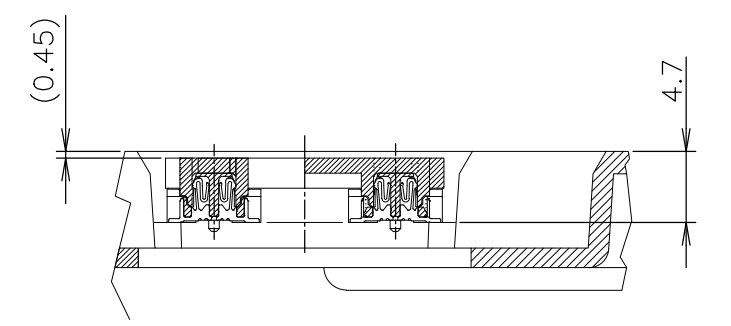
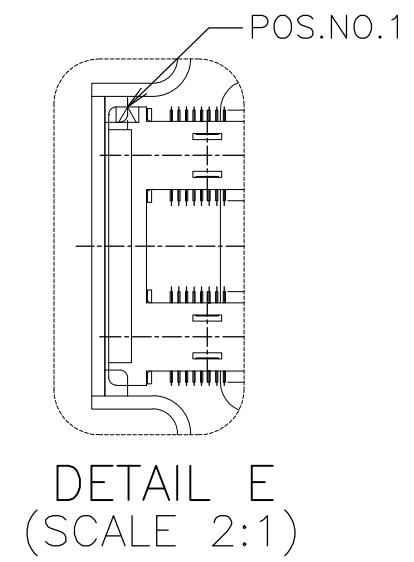
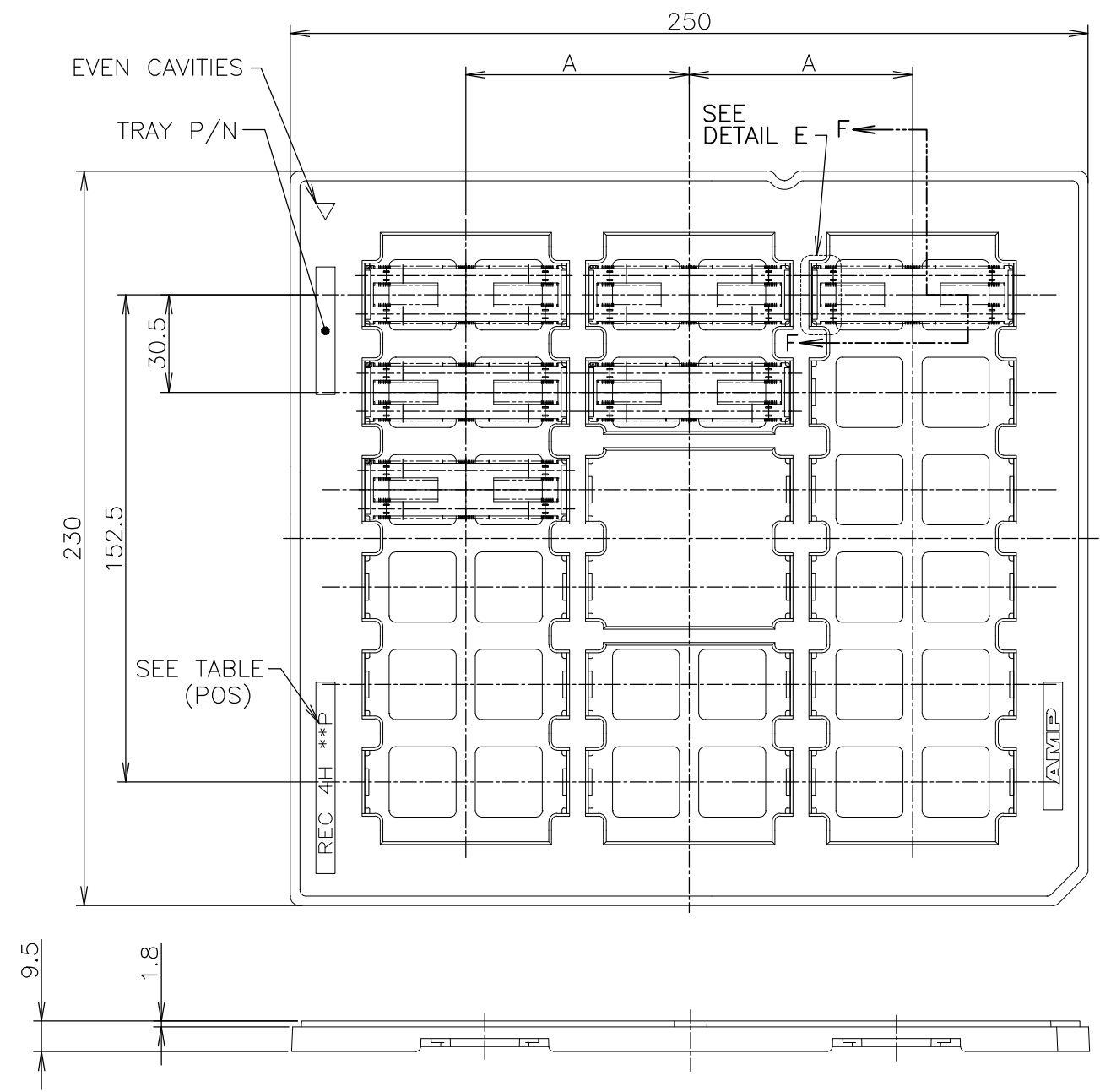



THIS DRAWING IS UNPUBLISHED. RELEASED FOR PUBLICATION 2005
 © COPYRIGHT 2005 By - ALL RIGHTS RESERVED.

REVISIONS					
P	LTR	DESCRIPTION	DATE	DWN	APVD
E		REVISED PER ECO-18-020117	01JUN18	R.L	H.L



SECT. F-F
(SCALE 2:1)
ROTATED 90° CW

NO	3	18	75	440	9-1827231-6
NO	3	18	75	440	3-1827231-6
SEALANT	ROW	QTY	A	POS.	PART NO.

THIS DRAWING IS A CONTROLLED DOCUMENT.		DWN S.CH IEN 18MAY05	 TE Connectivity					
DIMENSIONS: MM		CHK T.FUTATSUGI 18MAY05				NAME		
TOLERANCES UNLESS OTHERWISE SPECIFIED:		APVD W.KODAMA 18MAY05				HARD TRAY ASSY		
0 PLC ± 0.3 1 PLC ± 0.3 2 PLC ± 0.3 3 PLC ± 0.3 4 PLC ± 0.3 ANGLES ± 3°		PRODUCT SPEC 108-5560				FH 0.5BTB CONNECTOR 440POS		
MATERIAL		APPLICATION SPEC	REC 4H W/G-PLATE ON 2 ROW CAP					
		WEIGHT	SIZE A3	CAGE CODE 00779	DRAWING NO C-1827231	RESTRICTED TO		
CUSTOMER DRAWING			SCALE 1:2	SHEET 1 OF 4	REV E			

THIS DRAWING IS UNPUBLISHED.

RELEASED FOR PUBLICATION

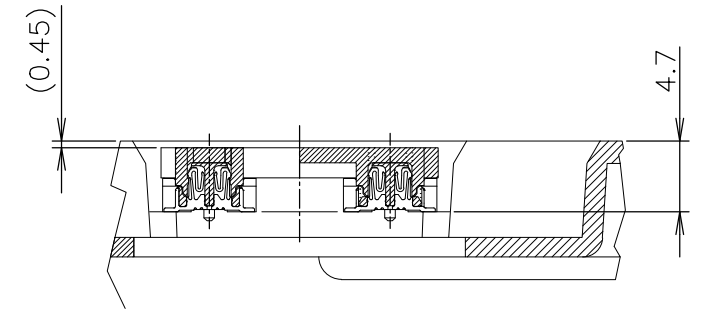
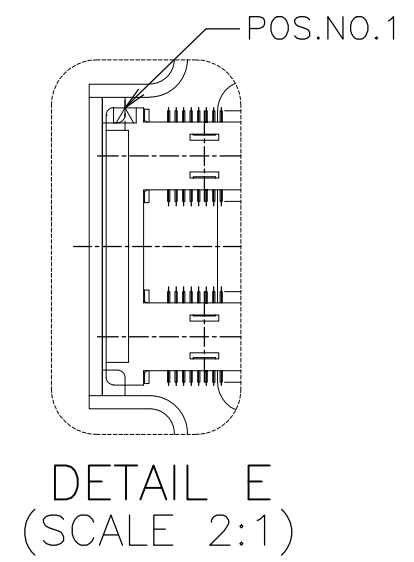
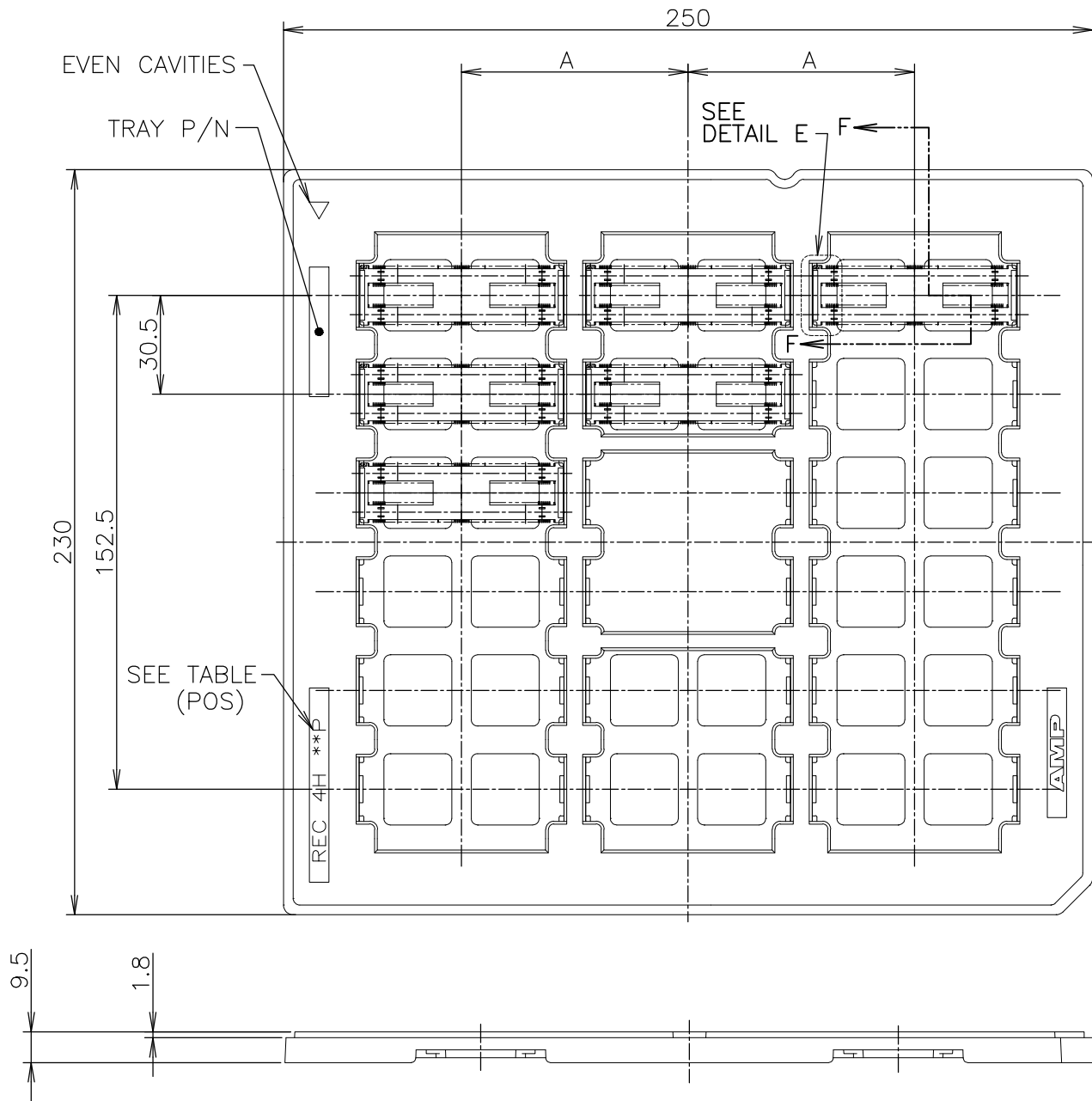
2005

© COPYRIGHT 2005 By -

ALL RIGHTS RESERVED.

REVISIONS

P	LTR	DESCRIPTION	DATE	DWN	APVD
E		REVISED PER ECO-18-	01JUN18	R.L	H.L



SECT. F-F
(SCALE 2:1)
ROTATED 90° CW

NO	3	18	75	440	8-1827231-6
SEALANT	ROW	QTY	A	POS.	PART NO.

THIS DRAWING IS A CONTROLLED DOCUMENT.		DWN S.CH IEN 18MAY05	TE Connectivity														
DIMENSIONS: MM		CHK T.FUTATSUGI 18MAY05															
TOLERANCES UNLESS OTHERWISE SPECIFIED:		APVD W.KODAMA 18MAY05	NAME HARD TRAY ASSY														
<table border="0"> <tr><td>0 PLC</td><td>± 0.3</td></tr> <tr><td>1 PLC</td><td>± 0.3</td></tr> <tr><td>2 PLC</td><td>± 0.3</td></tr> <tr><td>3 PLC</td><td>± 0.3</td></tr> <tr><td>4 PLC</td><td>± 0.3</td></tr> <tr><td>ANGLES</td><td>± 3°</td></tr> </table>		0 PLC	± 0.3	1 PLC	± 0.3	2 PLC	± 0.3	3 PLC	± 0.3	4 PLC	± 0.3	ANGLES	± 3°	PRODUCT SPEC 108-5560	FH 0.5BTB CONNECTOR 440POS		
0 PLC	± 0.3																
1 PLC	± 0.3																
2 PLC	± 0.3																
3 PLC	± 0.3																
4 PLC	± 0.3																
ANGLES	± 3°																
MATERIAL		APPLICATION SPEC	REC 4H W/G-PLATE ON 2 ROW CAP														
FINISH		WEIGHT	SIZE A3	CAGE CODE 00779	DRAWING NO C-1827231												
		CUSTOMER DRAWING	RESTRICTED TO	SCALE 1:2	SHEET 2 of 5												
				REV E													

4

3

2

1

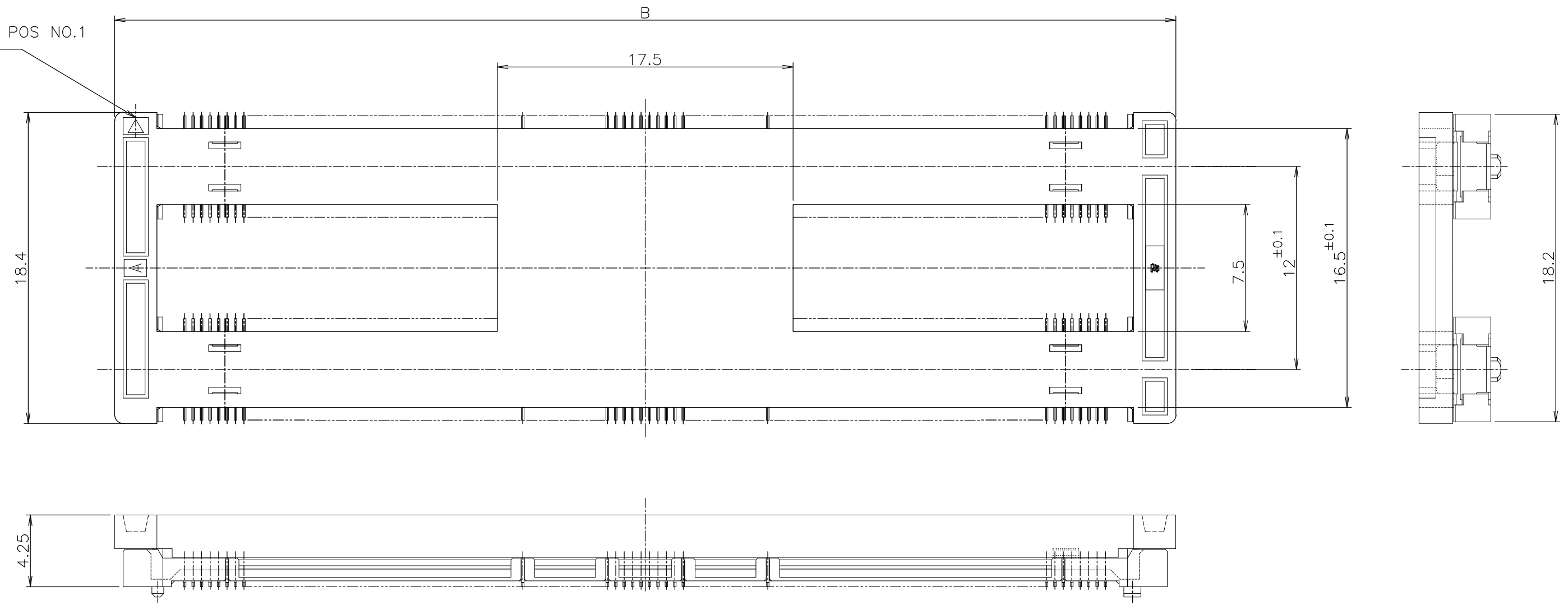
THIS DRAWING IS UNPUBLISHED.

RELEASED FOR PUBLICATION 2002

REVISIONS

© COPYRIGHT 2002 By - ALL RIGHTS RESERVED.

P	LTR	DESCRIPTION	DATE	DWN	APVD
-	-	SEE SHEET 1	-	-	-



NOTES

- ① MATERIAL ; HOUSING : HIGH TEMP THERMO PLASTIC UL94V-0
CONTACT : COPPER ALLOY; SOLDER PEG : COPPER ALLOY
- ② FINISH ; MATING AREA: MEETS THE PERFORMANCE REQUIREMENTS OF
PRODUCT SPECIFICATION 108-5560;
- ③ SOLDER PEG : TIN OVER Ni
- ④ THIS POSITION IS GROUND CIRCUIT.

BLACK	62.8	440	9-1827231-6
BLACK	62.8	440	3-1827231-6
CAP COLOR	B	POS	PART NO.

THIS DRAWING IS A CONTROLLED DOCUMENT.		DWN	TE Connectivity			
DIMENSIONS: MM		CHK				
		APVD				
TOLERANCES UNLESS OTHERWISE SPECIFIED:		PRODUCT SPEC				
0 PLC ± 0.3 1 PLC ± 0.3 2 PLC ± 0.3 3 PLC ± 0.3 4 PLC ± 0.3 ANGLES ± 3°		APPLICATION SPEC	NAME HARD TRAY ASSY FH 0.5BTB CONNECTOR 440POS REC 4H W/G-PLATE ON 2 ROW CAP			
MATERIAL	FINISH	WEIGHT	SIZE	CAGE CODE	DRAWING NO	RESTRICTED TO
①	②	CUSTOMER DRAWING	A3	00779	C-1827231	
SCALE 4:1			SHEET 2 OF 4		REV E	

4

3

2

1

THIS DRAWING IS UNPUBLISHED.

RELEASED FOR PUBLICATION

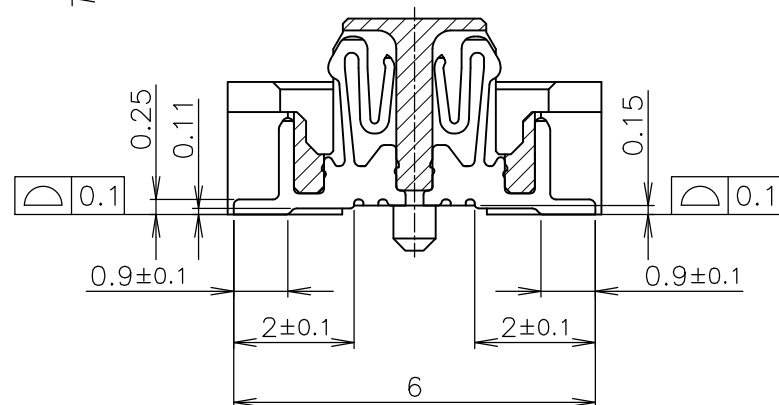
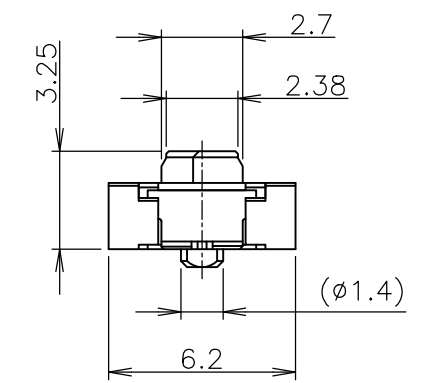
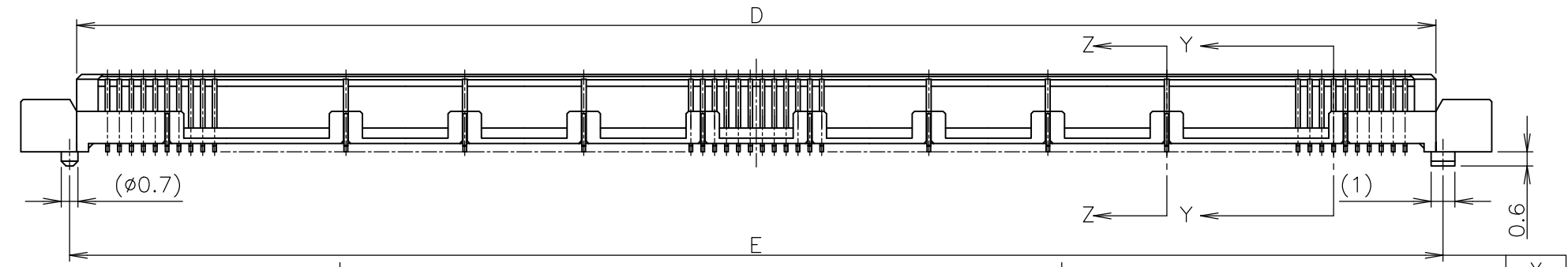
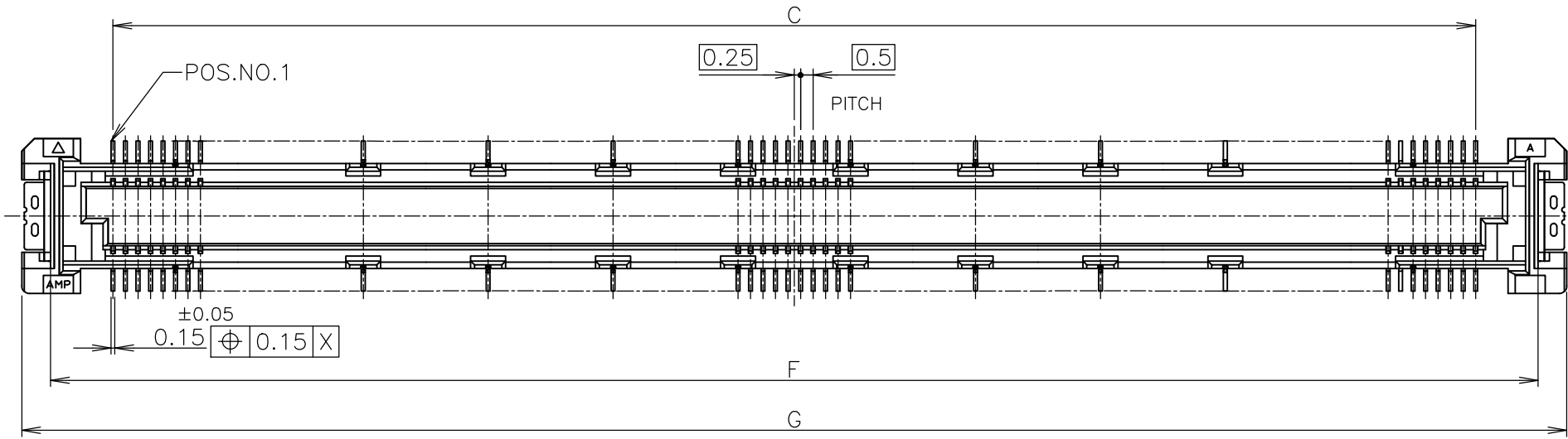
2002

REVISIONS

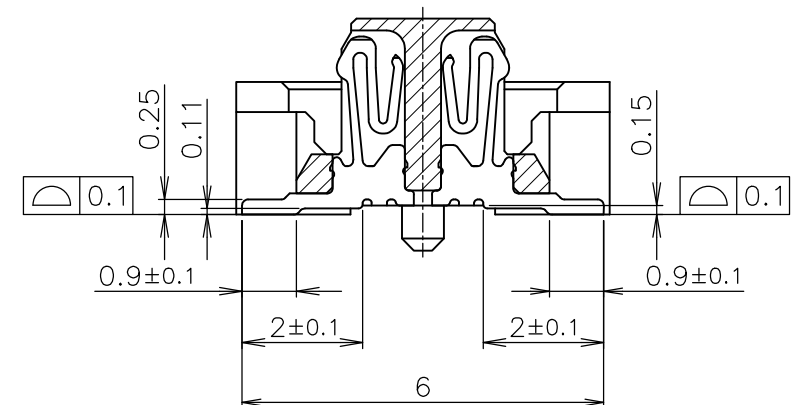
© COPYRIGHT 2002 By -

ALL RIGHTS RESERVED.

P	LTR	DESCRIPTION	DATE	DWN	APVD
-	-	SEE SHEET 1	-	-	-



SECT. Z-Z
(GROUND POSITION)
(SCALE 8:1)



SECT. Y-Y
(SIGNAL POSITION)
(SCALE 8:1)

61.8	59.5	57.7	57.1	54.5	220	BLACK	9-1827231-6
61.8	59.5	57.7	57.1	54.5	220	BLACK	3-1827231-6
G	F	E	D	C	POS.	HSG COLOR	PART NO.

THIS DRAWING IS A CONTROLLED DOCUMENT.		DWN	STE TE Connectivity	
DIMENSIONS: MM		CHK		
TOLERANCES UNLESS OTHERWISE SPECIFIED:		APVD	NAME	
0 PLC ± 0.3		PRODUCT SPEC	HARD TRAY ASSY	
1 PLC ± 0.3		APPLICATION SPEC	FH 0.5BTB CONNECTOR 440POS	
2 PLC ± 0.3		WEIGHT	SIZE	CAGE CODE
3 PLC ± 0.3		CUSTOMER DRAWING	A3	00779
4 PLC ± 0.3			DRAWING NO	C-1827231
ANGLES ± 3°		SCALE	4:1	SHEET
FINISH		RESTRICTED TO	3 OF 4	
MATERIAL		REV	E	

4

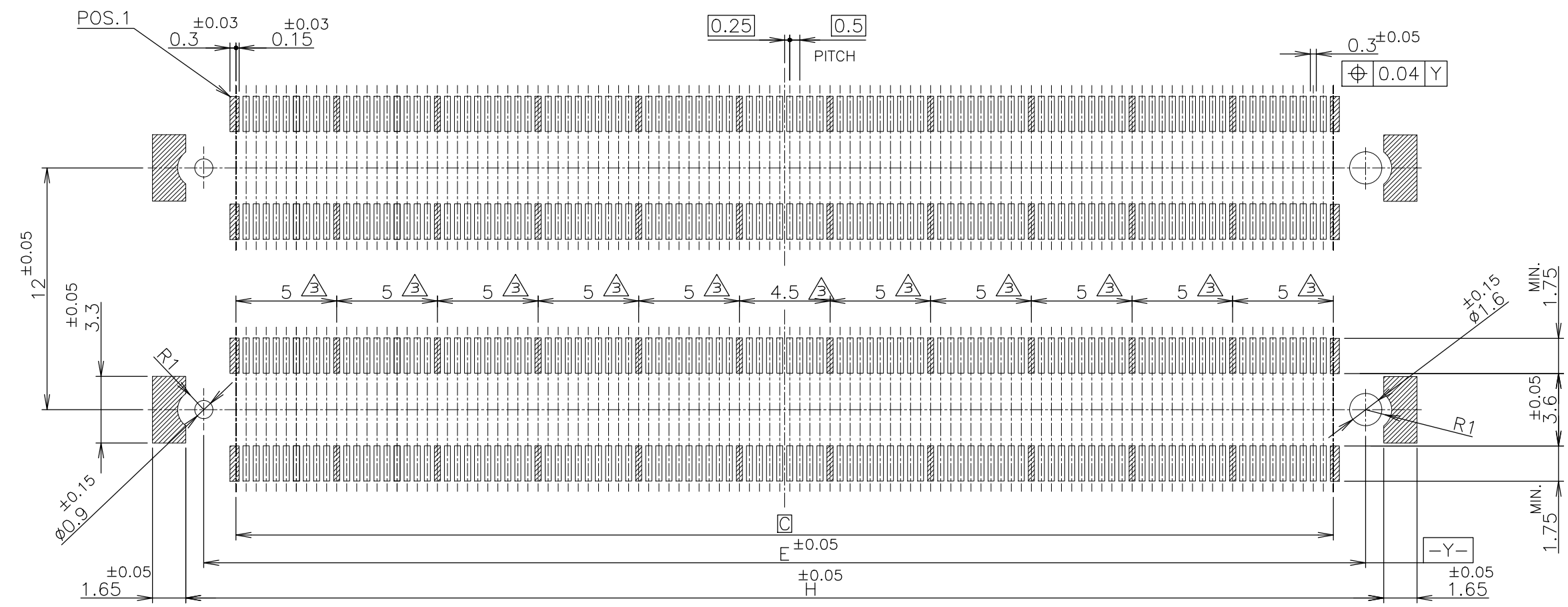
3

2

1

THIS DRAWING IS UNPUBLISHED. RELEASED FOR PUBLICATION 2002
 © COPYRIGHT 2002 By - ALL RIGHTS RESERVED.

REVISIONS					
P	LTR	DESCRIPTION	DATE	DWN	APVD
-	-	SEE SHEET 1	-	-	-



REFERENCE P.C.BOARD LAYOUT

59.5	440	9-1827231-6
59.5	440	3-1827231-6
H	POS	PART NO.

THIS DRAWING IS A CONTROLLED DOCUMENT.		DWN		TE Connectivity	
DIMENSIONS: MM		CHK			
		TOLERANCES UNLESS OTHERWISE SPECIFIED:		NAME	
MATERIAL		FINISH		HARD TRAY ASSY FH 0.5BTB CONNECTOR 440POS REC 4H W/G-PLATE ON 2 ROW CAP	
1		2		SIZE: A3 CAGE CODE: 00779 DRAWING NO: C-1827231 RESTRICTED TO:	
CUSTOMER DRAWING				SCALE: 4:1 SHEET: 4 OF 4 REV: E	