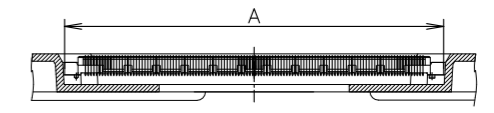
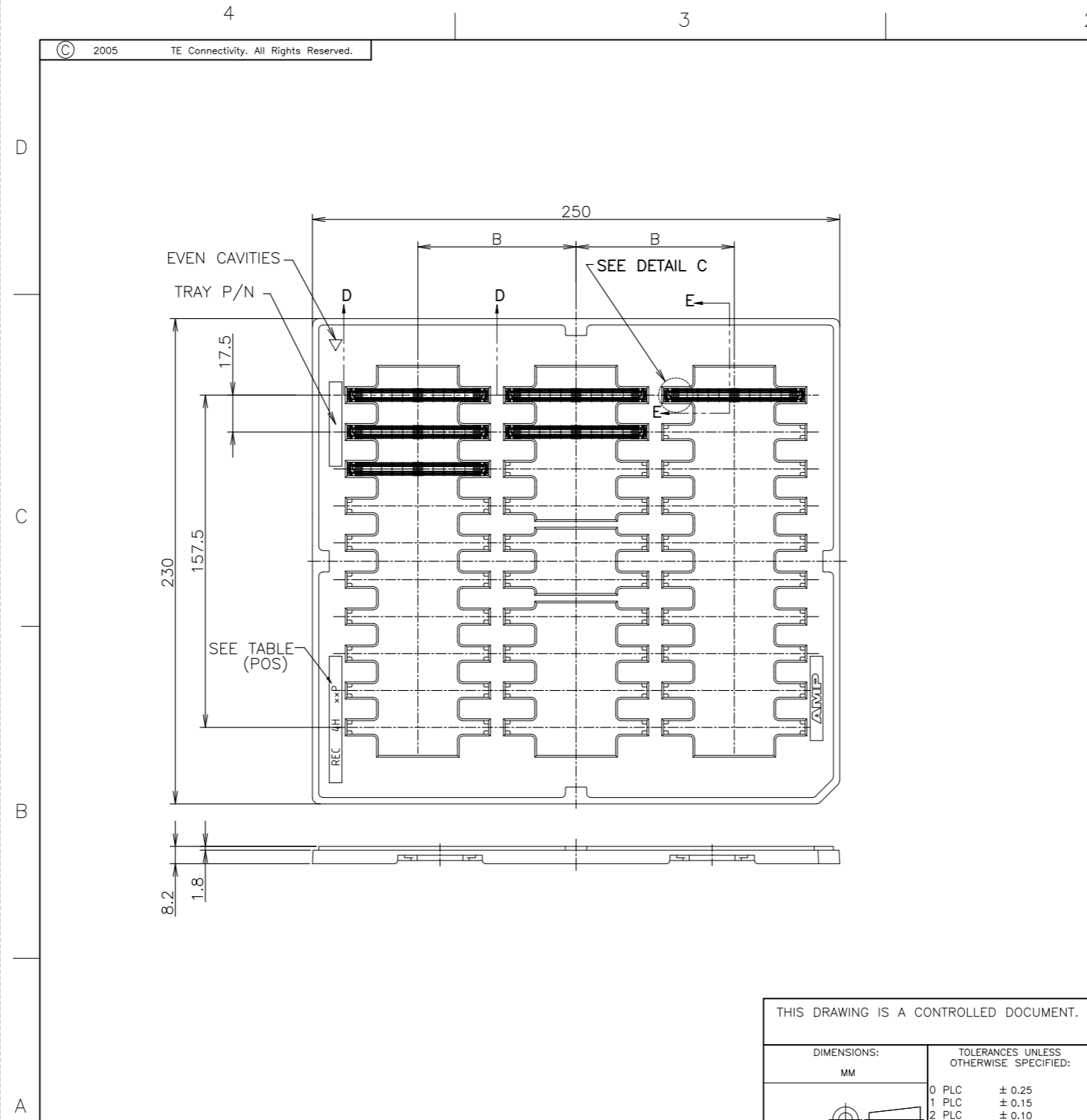
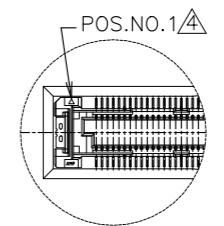


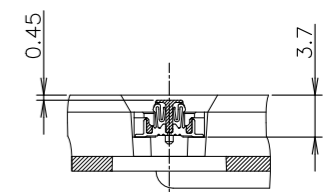
REVISIONS					
P	LTR	DESCRIPTION	DATE	DWN	APVD
C3		REMOVE TRAY HOLE PER PCN-22-135638	20JULY2022	M.C	H.L



SECT. D-D
(SCALE 2:1)
(CONNECTOR NOT SECTION)



DETAIL C
(SCALE 2:1)



E-E
(SCALE 2:1)

OBSOLETE	YES	3	30	75	61.8	220	8-6318490-6
	NO	3	30	75	61.8	220	3-6318490-6
	SEALANT	ROW	QTY	B	A	POS.	PART NO.

THIS DRAWING IS A CONTROLLED DOCUMENT.		DWN BILL LV 15OCT10	TE Connectivity Ltd.
DIMENSIONS: MM		CHK MARTIN LI 15OCT10	
TOLERANCES UNLESS OTHERWISE SPECIFIED:		APVD STEVEN YAO 15OCT10	
0 PLC ± 0.25 1 PLC ± 0.15 2 PLC ± 0.10 3 PLC ± 0.05 4 PLC ± 0.0250 ANGLES ± 3°		NAME	
MATERIAL		PRODUCT SPEC 108-5560	HARD TRAY ASSY FH 0.5BTB CONNECTOR 220POS REC 4H WITH GROUND PLATE
FINISH		APPLICATION SPEC	RESTRICTED TO
		WEIGHT	SIZE CAGE CODE DRAWING NO A3 00779 C-6318490
		CUSTOMER DRAWING	SCALE 1:2 SHEET 1 of 3 REV C3

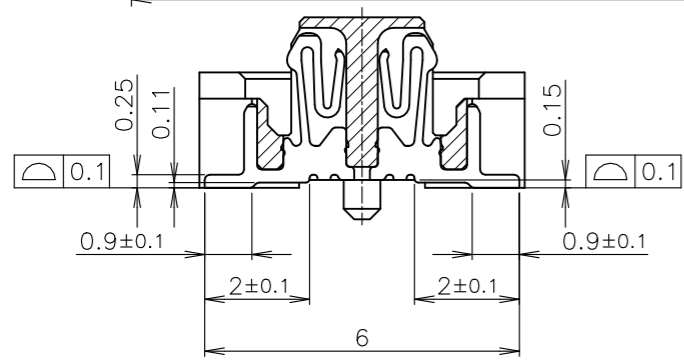
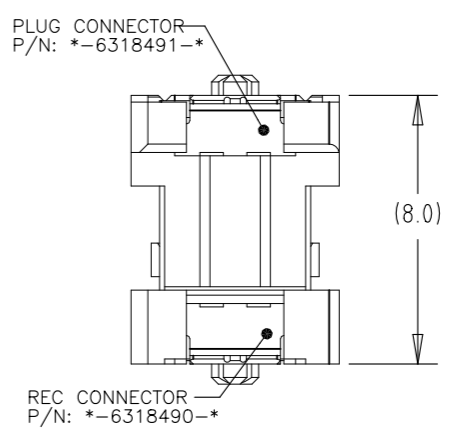
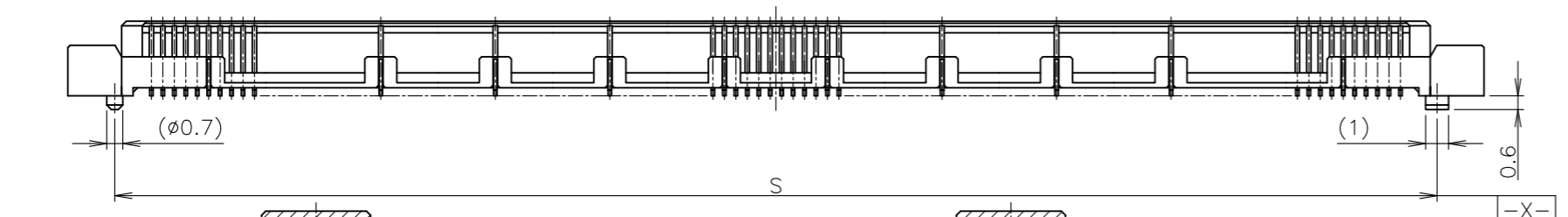
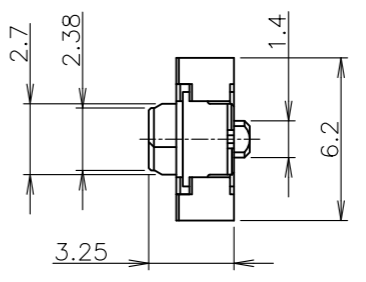
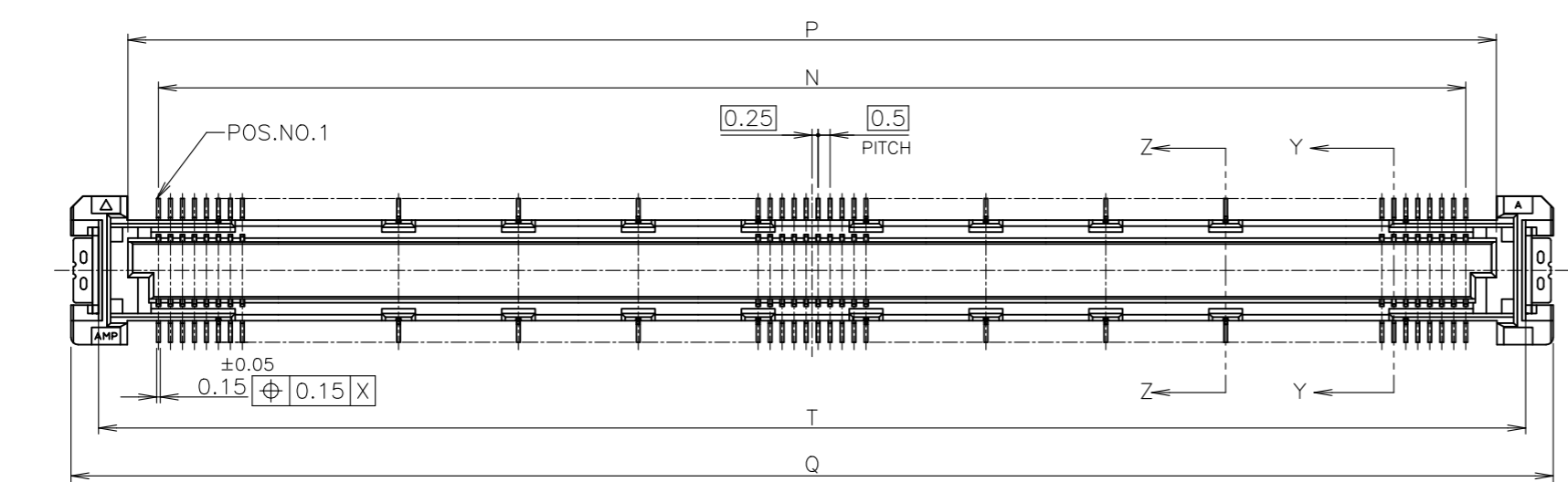
PRELIMINARY

PRELIMINARY

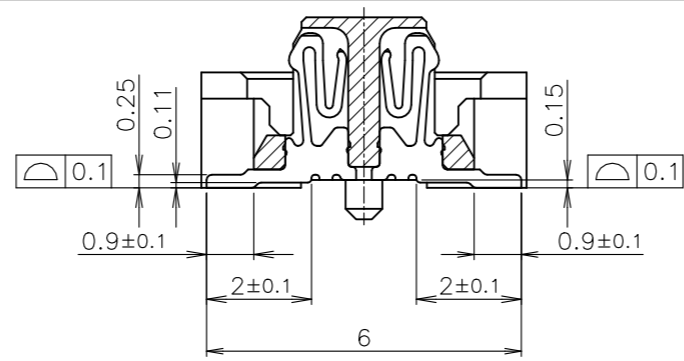
4 3 2 1

© 2002 TE Connectivity. All Rights Reserved.

REVISIONS					
P	LTR	DESCRIPTION	DATE	DWN	APVD
-	-	SEE SHEET 1	-	-	-



SECT. Z-Z
(GROUND POSITION)
(SCALE 8:1)



SECT. Y-Y
(SIGNAL POSITION)
(SCALE 8:1)

Ⓢ FULL-MATED CONDITION

T	S	Q	P	N	POS.	HSG COLOR	PART NO.
59.5	57.7	61.8	57.1	54.5	220	BLACK	8-6318490-6
59.5	57.7	61.8	57.1	54.5	220	BLACK	3-6318490-6

OBSELETE

THIS DRAWING IS A CONTROLLED DOCUMENT.

DIMENSIONS: MM	TOLERANCES UNLESS OTHERWISE SPECIFIED: 0 PLC ± 0.25 1 PLC ± 0.15 2 PLC ± 0.10 3 PLC ± 0.05 4 PLC ± 0.0250 ANGLES ± 3°
MATERIAL	FINISH

DWN	CHK	APVD	PRODUCT SPEC	APPLICATION SPEC	WEIGHT	CUSTOMER DRAWING
-----	-----	------	--------------	------------------	--------	------------------

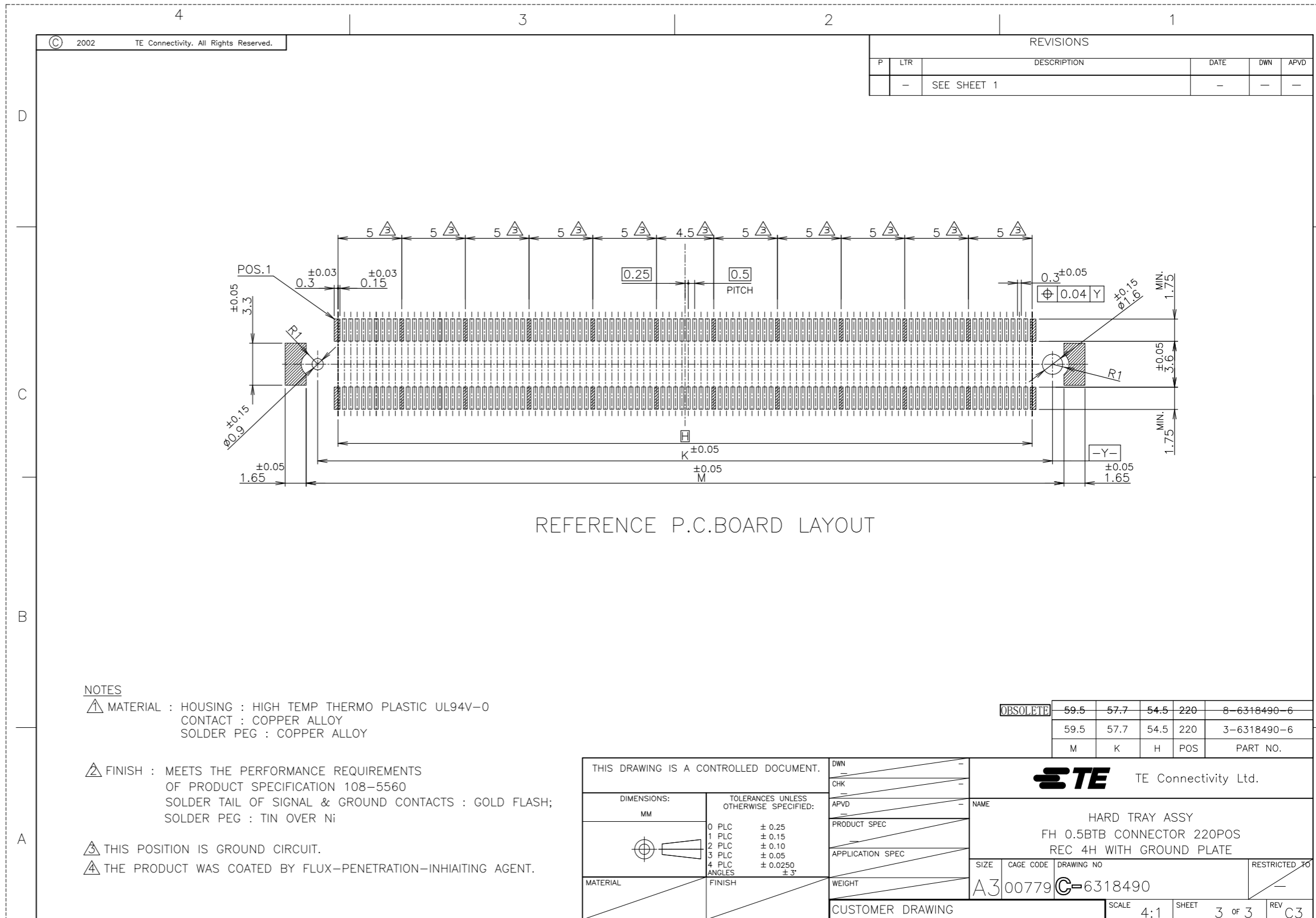
TE TE Connectivity Ltd.

NAME: HARD TRAY ASSY
FH 0.5BTB CONNECTOR 220POS
REC 4H WITH GROUND PLATE

SIZE: A3 CAGE CODE: 00779 DRAWING NO: 6318490 RESTRICTED TO: -

SCALE: 4:1 SHEET: 2 of 3 REV: C3

PRELIMINARY



NOTES

- △ MATERIAL : HOUSING : HIGH TEMP THERMO PLASTIC UL94V-0
CONTACT : COPPER ALLOY
SOLDER PEG : COPPER ALLOY
- △ FINISH : MEETS THE PERFORMANCE REQUIREMENTS OF PRODUCT SPECIFICATION 108-5560
SOLDER TAIL OF SIGNAL & GROUND CONTACTS : GOLD FLASH;
SOLDER PEG : TIN OVER Ni
- △ THIS POSITION IS GROUND CIRCUIT.
- △ THE PRODUCT WAS COATED BY FLUX-PENETRATION-INHIAITING AGENT.

THIS DRAWING IS A CONTROLLED DOCUMENT.		DWN			
DIMENSIONS: MM		CHK			
TOLERANCES UNLESS OTHERWISE SPECIFIED:		APVD			
0 PLC ± 0.25		PRODUCT SPEC			
1 PLC ± 0.15		APPLICATION SPEC			
2 PLC ± 0.10		WEIGHT			
3 PLC ± 0.05		CUSTOMER DRAWING			
4 PLC ± 0.0250		SCALE	4:1		
ANGLES ± 3'		SHEET	3 of 3		
MATERIAL		FINISH			
		RESTRICTED TO			

TE Connectivity Ltd.

HARD TRAY ASSY
FH 0.5BTB CONNECTOR 220POS
REC 4H WITH GROUND PLATE

SIZE: A3 CAGE CODE: 00779 DRAWING NO: C-6318490

REV: C3