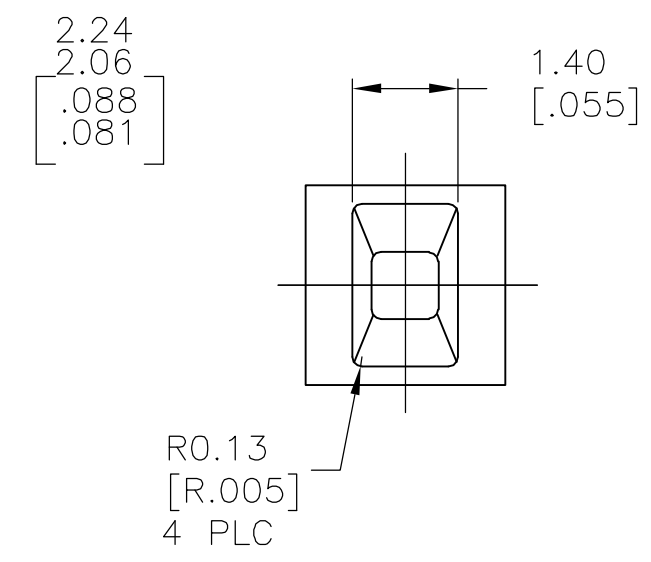
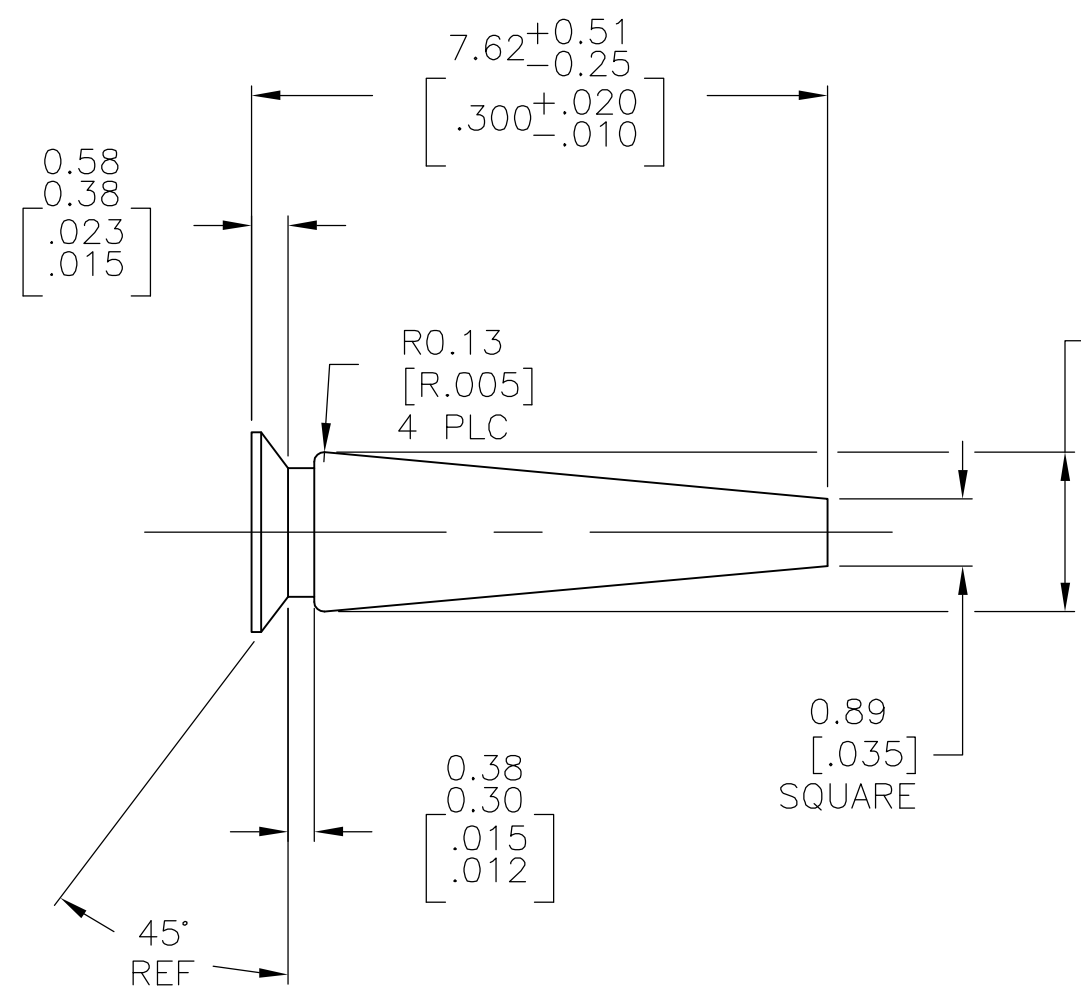
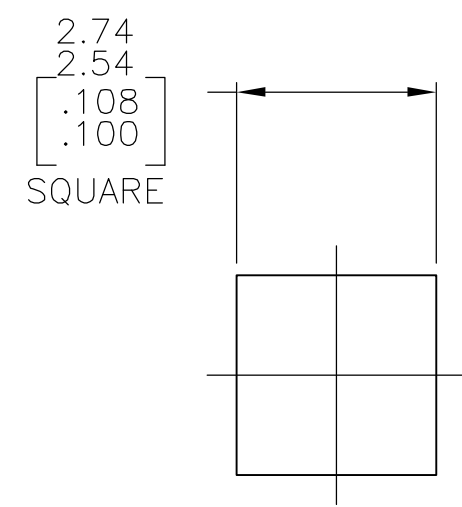


THIS DRAWING IS UNPUBLISHED. RELEASED FOR PUBLICATION  
 © COPYRIGHT - BY TYCO ELECTRONICS CORPORATION. ALL RIGHTS RESERVED.

LOC	DIST	REVISIONS					
		P	LTR	DESCRIPTION	DATE	DWN	APVD
CM	54		F1	ECO-06-017889	07AUG06	BSV	DB

1 MOLDING COMPOUND NYLON,6/6 .  
 2. DIMENSIONS IN BRACKETS ARE IN INCHES.



BLACK	640254-2
NATURAL	640254-1
COLOR	PART NO.

**METRIC**

THIS DRAWING IS A CONTROLLED DOCUMENT.		DWN	10DEC91	Tyco Electronics Corporation Harrisburg, Pa 17105-3608			
DIMENSIONS: mm [INCHES]		CHK	10DEC91				
TOLERANCES UNLESS OTHERWISE SPECIFIED:		R	SWING	NAME			
0 PLC ± -		APVD	11DEC91	SL-156 KEYING PLUG, .045 SQ. POST CONNECTOR			
1 PLC ± -		PRODUCT SPEC		SIZE			
2 PLC ± -		APPLICATION SPEC		CAGE CODE		DRAWING NO	
3 PLC ± 0.13 [.005]		WEIGHT		A3 00779		C-640254	
4 PLC ± -		CUSTOMER DRAWING		SCALE		SHEET	
ANGLES ± -		SCALE		10:1		1 OF 1	
FINISH -		RESTRICTED TO		REV		F1	
MATERIAL 1							