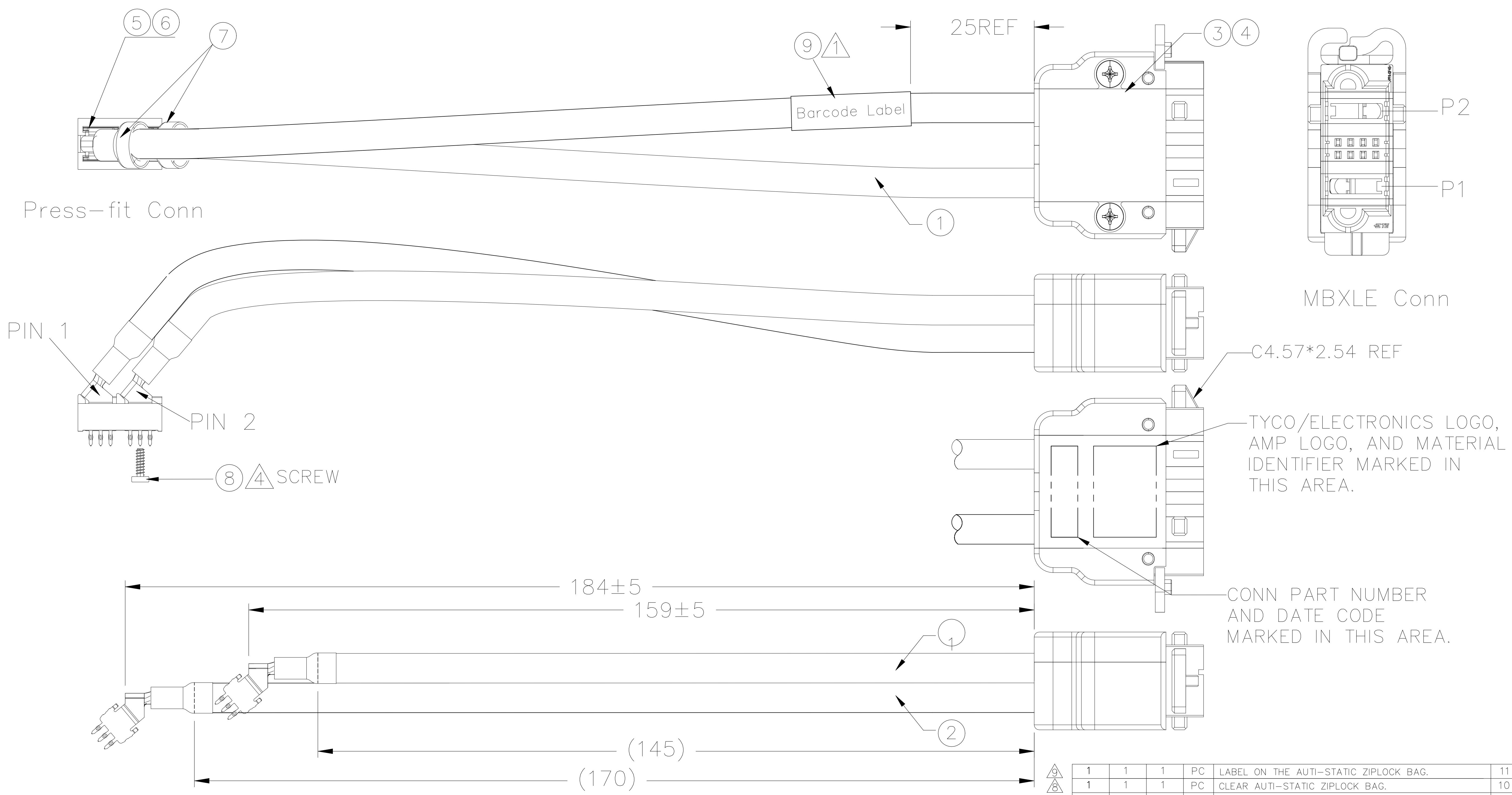
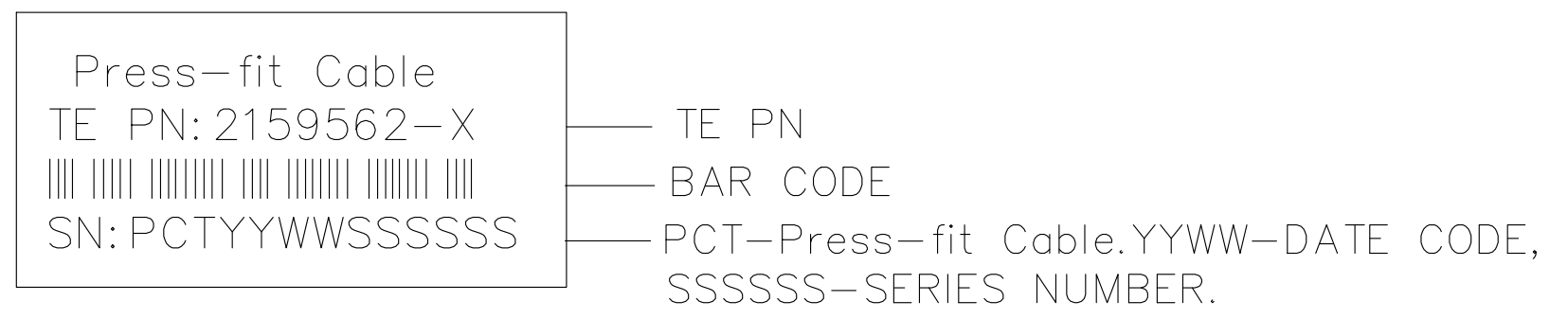


REVISIONS					
REV	DATE	DESCRIPTION	BY	CHK	APPV
D.3		FOR REV RECORD SEE SHEET 3			



NOTES:  
 THE MARKING TEXT AS FOLLOWS:



- 100% ELECTRICALLY TESTED: OPEN/SHORT,HI-POT. HI-POT: 500VDC, 50 MEGAOHMS FOR 100 MILLISECONDS.
- ROHS COMPLIANCE: PRODUCT AND PROCESSING MEETS REQUIREMENTS OF TE SPECIFICATION TEC-138-702.
- SCREW FOR PRESS-FIT CONN WILL BE PACKAGED SEPARATELY. RECOMMEND TOOL FOR SCREW: SIZE RANGE 1.7~2MM CROSS SCREWDRIVER, TORQUE RANGE 0.10~0.15N.M.

TE P/N WITH SCREW,LSZH	2159562-3
TE P/N W/O SCREW	2159562-2
TE P/N WITH SCREW	2159562-1

WIRING CHART:

MBXLE Conn	Press-fit Conn	WIRE COLOR	WIRE SIZE
P1	PIN 2	BLACK	8AWG
P2	PIN 1	RED	8AWG

QTY	UNIT	DESCRIPTION	ITEM NO
1	PC	LABEL ON THE AUTO-STATIC ZIPLOCK BAG.	11
1	PC	CLEAR AUTO-STATIC ZIPLOCK BAG.	10
1	PC	LABEL ON WIRE.	9
1	PC	M1.6 SCREW FOR PRESS-FIT HOUSING.	8
AR	MM	HEAT SHRINK TUBE. HF	7
1	PC	PRESS FIT HOUSING.	6
2	PC	PRESS FIT CONTACT.	5
2	PC	MBXLE PLUG POWER CONTACT	4
1	PC	MBXLE PLUG ASSY: TOP+BOTTOM+HEADER+SCREW	3
AR	M	WIRE, 8AWG,HIGH STRAND/HIGH FLEX, RED,LSZH	2
-	M	WIRE, 8AWG,HIGH STRAND/HIGH FLEX,RED. VENDOR:Hwatek.Alternative:New England.	
AR	M	WIRE, 8AWG,HIGH STRAND/HIGH FLEX, BLACK,LSZH	1
-	M	WIRE, 8AWG,HIGH STRAND/HIGH FLEX, BLACK. VENDOR:Hwatek.Alternative:New England.	
-3	U/M		

THIS DRAWING IS A CONTROLLED DOCUMENT.

DWN: Grace Li 16DEC2013  
 CHK: Glen Gutgold 16DEC2013  
 APPV: David Zhang 16DEC2013

TE Connectivity

NAME: CABLE ASSY,PRESS FIT POWER

PRODUCT SPEC: 108-128013/2157-1

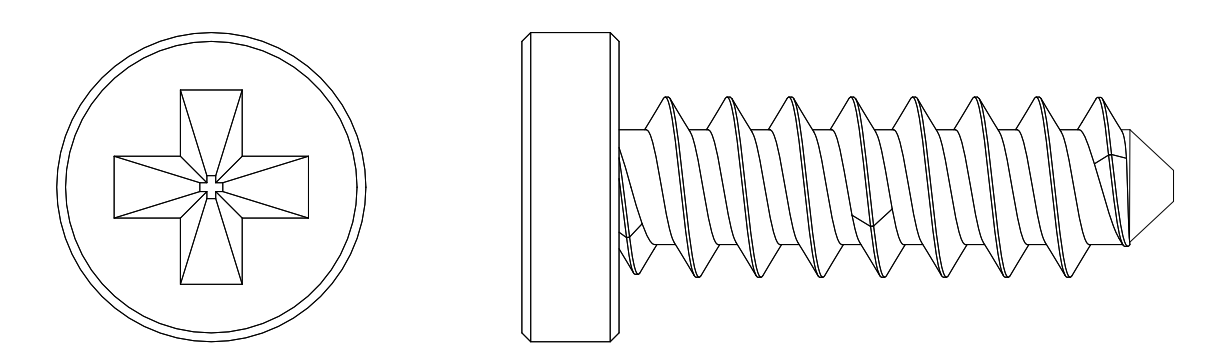
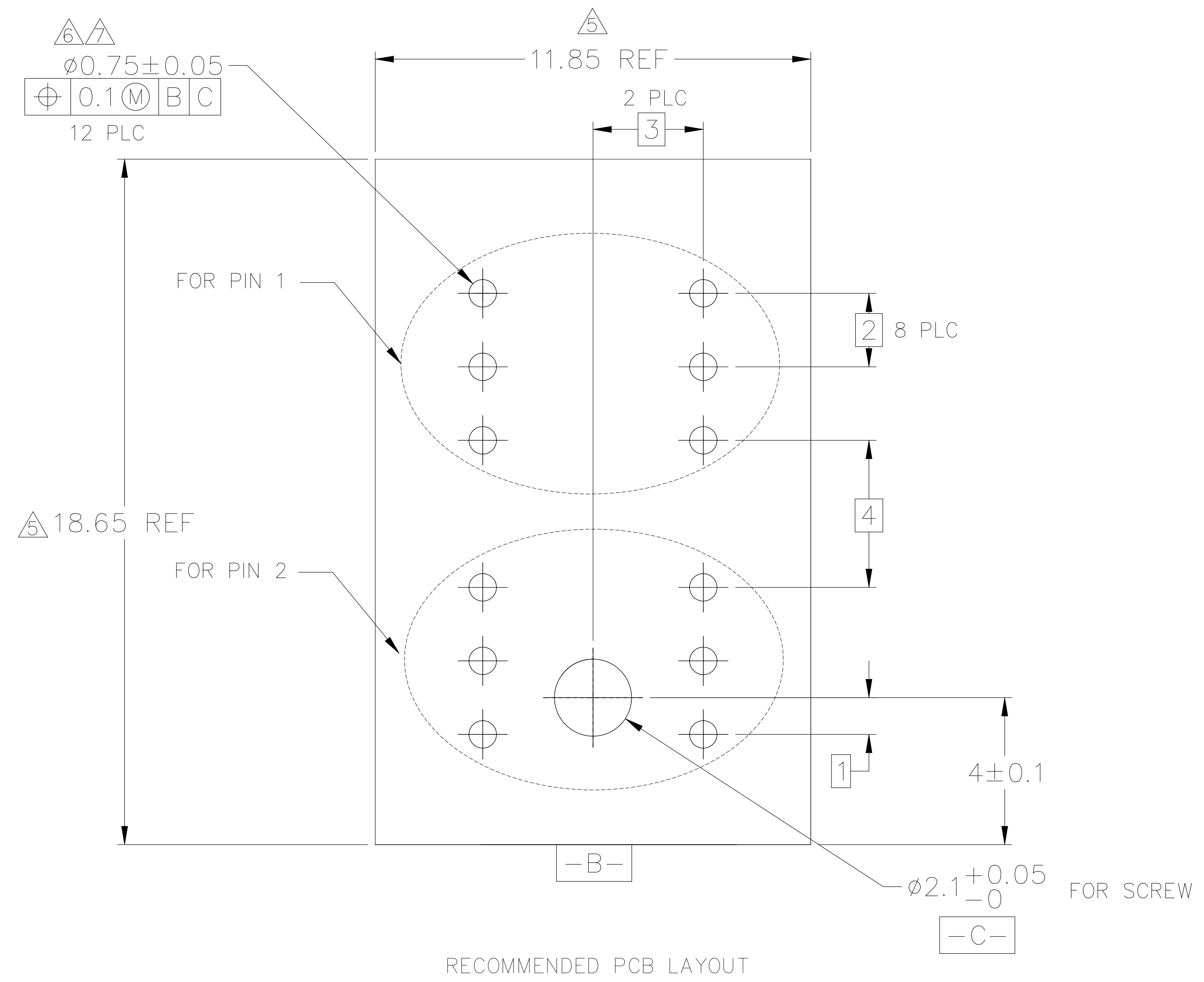
APPLICATION SPEC: 114-32129/1316

WEIGHT: 63Gram

CUSTOMER DRAWING

SCALE: N.T.S. SHEET 1 OF 3 REV D.3

REVISIONS				
IP	LTR	DESCRIPTION	DATE	APP'D
-	-	SEE SHEET 1	-	-



RECOMMENDED RETENTION SCREW  
SCREW LENGTH 6.5 IS DESIGNED  
FOR 2.16mm THICKNESS BOARD

RECOMMENDED PCB LAYOUT

NOTES:

- ⑤ MECHANICAL CONNECTOR KEEP OUT ZONE.
- ⑥ PCB- ALL HOLE DIAMETERS ARE FINISHED HOLE SIZES.
- ⑦ PCB- 0.85+0.01/-0.04 DRILLED HOLES PLATED WITH 0.0009 MIN TIN OVER 0.025 MIN Cu PLATING TO ACHIEVE A 0.75±0.05 HOLE.
- ⑧ INDIVIDUALLY PACK EACH CABLE ASSEMBLY WITH A CLEAR ANTI-STATIC ZIPLOCK BAG.
- ⑨ APPLY LABEL ONTO CLEAR ANTI-STATIC ZIPLOCK BAG, THE MARKING TEXT AS FOLLOWS:


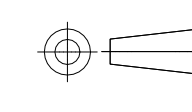
TE P/N REV.*	— TE PN &REV.
DATE CODE: YYWW	— YY: Year; WW: week.
MADE IN ****	— Country of Origin

10. THE CABLE ASSEMBLY SHOULD BE UL AND RoHS2(2011/65/EU) COMPLIANT.

THIS DRAWING IS A CONTROLLED DOCUMENT.		DWN Grace, Li	16DEC2013	TE Connectivity																			
		CHK Glen Gutgold	16DEC2013																				
DIMENSIONS: mm		TOLERANCES UNLESS OTHERWISE SPECIFIED:		NAME Wesley Wang																			
<table border="0"> <tr><td>0 PLC</td><td>±</td><td>-</td></tr> <tr><td>1 PLC</td><td>±</td><td>-</td></tr> <tr><td>2 PLC</td><td>±</td><td>-</td></tr> <tr><td>3 PLC</td><td>±</td><td>-</td></tr> <tr><td>4 PLC</td><td>±</td><td>-</td></tr> <tr><td>ANGLES</td><td>±</td><td>±</td></tr> </table>		0 PLC	±	-	1 PLC	±	-	2 PLC	±	-	3 PLC	±	-	4 PLC	±	-	ANGLES	±	±	PRODUCT SPEC SEE SHEET 1		CABLE ASSY,PRESS FIT POWER	
0 PLC	±	-																					
1 PLC	±	-																					
2 PLC	±	-																					
3 PLC	±	-																					
4 PLC	±	-																					
ANGLES	±	±																					
MATERIAL		FINISH		APPLICATION SPEC SEE SHEET 1																			
		WEIGHT		RESTRICTED TO																			
		SEE SHEET 1		SIZE CAGE CODE DRAWING NO																			
		A1 00779		C=2159562																			
CUSTOMER DRAWING		SCALE N.T.S.		SHEET 2 OF 3 REV D3																			

REVISIONS				
REV	DATE	DESCRIPTION	BY	APP'D
-	-	SEE SHEET 1	-	-

2159562-3				
REVISION HISTORY				
DATE	REV	CHANGES	REASON	APPROVAL
25MAR2017	D2	CORRECT REVISION	RELEASE	JX/DZ
26APR2022	D3	NOTE 10 ADDED IN ORDER TO IDENTIFY WITH UL AND RoHS2(2011/65/EU) COMPLIANT.	INTERNAL REQ	GA/WY

THIS DRAWING IS A CONTROLLED DOCUMENT.		DWN Grace Li 16DEC2013	 TE Connectivity	
DIMENSIONS: mm		CHK Glen Gutgold 16DEC2013		
TOLERANCES UNLESS OTHERWISE SPECIFIED: 0 PLC ± - 1 PLC ± - 2 PLC ± - 3 PLC ± - 4 PLC ± - ANGLES ± -		APP'D David Zhang 16DEC2013	NAME CABLE ASSY,PRESS FIT POWER	
		PRODUCT SPEC 108-128013/2157-1	RESTRICTED TO	
MATERIAL		APPLICATION SPEC 114-32129/1316	SIZE A1	CAGE CODE 00779
FINISH		WEIGHT 63	DRAWING NO C=2159562	REV D3
CUSTOMER DRAWING			SCALE N.T.S.	SHEET 3 OF 3